

Hypertherm®

2013–2014 torch and consumables catalog

For Powermax® and MAX® plasma systems



Hypertherm, Inc.

Etna Road, P.O. Box 5010
Hanover, NH 03755 USA
603-643-3441 Tel (Main Office)
603-643-5352 Fax (All Departments)
info@hypertherm.com (Main Office Email)
800-643-9878 Tel (Technical Service)
technical.service@hypertherm.com (Technical Service Email)
800-737-2978 Tel (Customer Service)
customer.service@hypertherm.com (Customer Service Email)
866-643-7711 Tel (Return Materials Authorization)
877-371-2876 Fax (Return Materials Authorization)
return.materials@hypertherm.com (RMA email)

Hypertherm Plasmatechnik GmbH

Technologiepark Hanau
Rodenbacher Chaussee 6
D-63457 Hanau-Wolfgang, Deutschland
49 6181 58 2100 Tel
49 6181 58 2134 Fax
49 6181 58 2123 (Technical Service)

Hypertherm (S) Pte Ltd.

82 Genting Lane
Media Centre
Annexe Block #A01-01
Singapore 349567, Republic of Singapore
65 6841 2489 Tel
65 6841 2490 Fax
65 6841 2489 (Technical Service)

Hypertherm (Shanghai) Trading Co., Ltd.

Unit 301, South Building
495 ShangZhong Road
Shanghai, 200231
PR China
86-21-60740003 Tel
86-21-60740393 Fax

Hypertherm Europe B.V.

Vaartveld 9
4704 SE
Roosendaal, Nederland
31 165 596907 Tel
31 165 596901 Fax
31 165 596908 Tel (Marketing)
31 165 596900 Tel (Technical Service)
00 800 4973 7843 Tel (Technical Service)

Hypertherm Japan Ltd.

Level 9, Edobori Center Building
2-1-1 Edobori, Nishi-ku
Osaka 550-0002 Japan
81 6 6225 1183 Tel
81 6 6225 1184 Fax

Hypertherm Brasil Ltda.

Rua Bras Cubas, 231 – Jardim Maia
Guarulhos, SP - Brasil
CEP 07115-030
55 11 2409 2636 Tel
55 11 2408 0462 Fax

Hypertherm México, S.A. de C.V.

Avenida Toluca No. 444, Anexo 1,
Colonia Olivar de los Padres
Delegación Álvaro Obregón
México, D.F. C.P. 01780
52 55 5681 8109 Tel
52 55 5683 2127 Fax

Hypertherm Korea Branch

#3904 Centum Leaders Mark B/D,
1514 Woo-dong, Haeundae-gu, Busan
Korea, 612-889
82 51 747 0358 Tel
82 51 701 0358 Fax

Contents

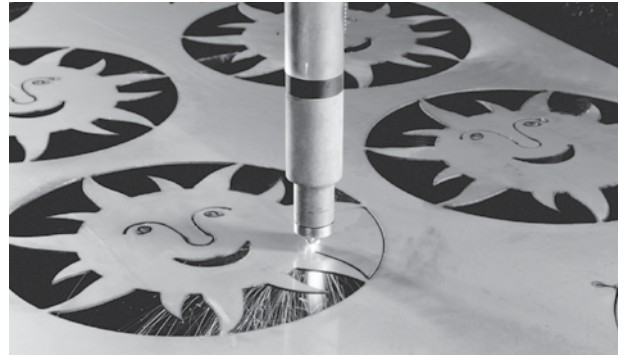
| | | Page |
|------------------|---|-------------|
| Section 1 | Technology overview | iii |
| Section 2 | Torches and consumables for current Powermax systems | |
| | Powermax30 hand torch and consumables | 1 |
| | Powermax45 hand and machine torch and consumables | 3 |
| | Powermax65 hand and machine torch and consumables | 7 |
| | Powermax85 hand and machine torch and consumables | 13 |
| | Powermax105 hand and machine torch and consumables | 19 |
| | Specialty consumables, bulk packs and kits | 25 |
| Section 3 | Torches and consumables for legacy systems | |
| | Powermax190c hand torch and consumables | 28 |
| | Powermax350 hand torch and consumables | 30 |
| | Powermax380 hand torch and consumables | 32 |
| | Powermax600 hand and machine torch and consumables | 34 |
| | Powermax800 hand and machine torch and consumables | 38 |
| | Powermax900 hand and machine torch and consumables | 42 |
| | Powermax1000 hand and machine torch and consumables | 46 |
| | Powermax1100 hand and machine torch and consumables | 50 |
| | Powermax1250 hand and machine torch and consumables | 54 |
| | Powermax1650 hand and machine torch and consumables | 58 |
| | MAX20 hand torch and consumables | 64 |
| | MAX40/ HT40 hand and machine torch and consumables | 66 |
| | MAX40cs/42/43 hand and machine torch and consumables | 70 |
| | MAX70 /100 hand and machine torch and consumables | 74 |
| | MAX100D hand and machine torch and consumables | 78 |
| | HT40/HT40C machine torch and consumables | 82 |
| Section 4 | Retrofit torches by system | |
| | Duramax™ HRT/HRTs retrofit torch for Powermax1000/1250/1650 | 84 |
| | Duramax MRT retrofit torch for Powermax1000/1250/1650 | 86 |
| | Duramax HRT/HRTs retrofit torch for Powermax600/800/900, MAX42/43 | 88 |
| | Duramax MRT retrofit torch for Powermax600/800/900, MAX42/43 | 90 |
| | RT60 and 60M retrofit torch for Powermax600/800/900, MAX42/43 | 92 |
| | RT80 and 80M retrofit torch for Powermax1100 | 96 |
| Section 5 | Appendix | |
| | MAX42 and MAX43 systems Duramax retrofit torches and parts | 100 |
| | Powermax600 Duramax retrofit torches and parts | 100 |
| | Powermax800 and Powermax900 Duramax retrofit torches and parts | 101 |
| | Powermax1000 T100 replacement torches and parts | 101 |
| | Powermax1000 Duramax retrofit torches and parts | 102 |
| | Powermax1100 RT80 torch replacements and parts | 102 |
| | Powermax1250 Duramax retrofit torches and parts | 102 |
| | Powermax1250 T100 replacement torches and parts | 103 |
| | Powermax1650 Duramax replacement torches and parts | 103 |
| | Powermax1650 T100 replacement torches and parts | 103 |
| | Powermax65 Duramax replacement torches and parts | 104 |
| | Powermax85 Duramax Replacement Torches and Parts | 104 |
| | Powermax65 and Powermax85 torch and lead replacement kits | 104 |

Hypertherm featured technologies

Hypertherm featured torches and consumables highlight the versatility of Powermax plasma systems for various cutting operations.



Gouging consumables for plasma systems provide a more efficient process than grinding and produces less noise and fumes than carbon arc gouging. Controlled arc and fast metal removal rates reduce metal warping.



FineCut® consumables deliver significantly improved cut quality on thin-plate metals by providing a narrower kerf with virtually no heat-affected zone and by dramatically reducing dross. FineCut is available for both hand and mechanized applications. Please refer to page 26 for information on FineCut consumable kits.

Gouge capacity for:

| | Powermax65 | Powermax85 | Powermax105 |
|----------------------------|-----------------------------|-----------------------------|-----------------------------|
| Metal removal rate: | 4.8 kg (10.7 lbs.) per hour | 8.8 kg (19.5 lbs.) per hour | 9.8 kg (21.7 lbs.) per hour |
| Width: | 6.6 mm (.26") W | 7.1 mm (.28") W | 7.4 mm (.29") W |
| Depth: | 3.5 mm (.14") D | 5.8 mm (.23") D | 6.4 mm (.25") D |

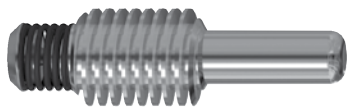


CopperPlus part number 220777

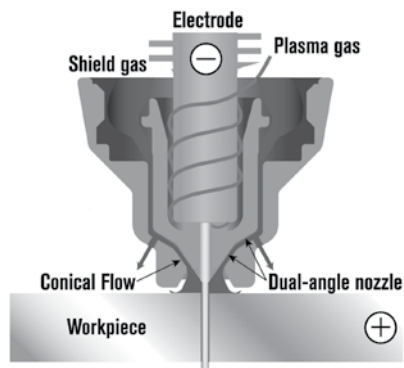
CopperPlus™ electrode is designed for use on all Duramax torches and delivers at least 2 times longer consumable life over standard consumables* when cutting metal 12 mm (½ inch) and under. For more information concerning CopperPlus performance please refer to the back cover of the catalog.

*Standard consumables refer to the original Hypertherm consumables designed for the system.

SpringStart™ electrode technology ensures consistent, reliable starting by eliminating moving parts in the torch.










Conical Flow™ nozzle technology increases arc energy density for superior cut quality with little dross.



Duramax™ torches

Duramax torches are designed for durability and reliability. Seven different torch styles are available for handheld, mechanized and robotic cutting applications. Duramax torches come standard on Powermax65/85/105 systems.

| Handheld | Mechanized | Robotic |
|--|--|---|
| Handheld torch handles are designed to be five times more impact resistant and 20% more heat resistant. | The mechanized torch can be converted to a mini-machine torch. | Robotic torches have been designed for precise positioning. Flats, grooves and dowel sockets on the torch body prevent rotational or horizontal slip. |
|  <p>75° hand torch</p> |  <p>180° full-length machine torch</p> |  <p>90° robotic torch</p> |
|  <p>15° hand torch</p> |  <p>180° mini machine torch</p> |  <p>45° robotic torch</p> |
| | |  <p>180° robotic torch</p> |

Duramax retrofit torches

Duramax retrofit torches are available for legacy systems to improve overall system performance and includes torch connections specific to older systems to make retrofitting simple.



Hypertherm is dedicated to providing the latest in technological advancements that deliver on the performance demands critical to customers. To encourage the adoption of the latest in Hypertherm technology offerings, a torch obsolescence program was launched in 2012. The program involves torches for Powermax65/85 original torches and legacy Powermax600/800/900/1000/1250/1650 and MAX42/43 systems. The benefits in supporting this obsolescence plan include:

- **Consolidation of torch SKUs** –the torch obsolescence plan reduces the number of torch SKUs available for purchase from 85 to 27.
- **Consolidation of consumable SKUs** – once you convert your customers to Duramax torches, Powermax65/85/105 consumables may be ordered instead of standard “T style” consumables.
- **Save money** – upgrade/retrofit torches are priced comparably to standard torches. In some cases, the upgrade torches are priced significantly less than the current standard torch offering.
- **Satisfy customer needs** – the newest torches and consumables are designed to enhance both cut quality and improve consumable life and overall productivity to ensure the utmost in consumer satisfaction.

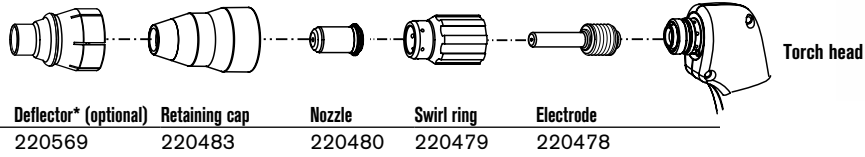
The Appendix to this catalog contains charts by system indicating the replacement part numbers and descriptions for those torches that are no longer available. Please note that as of **January 1, 2013** all remaining PAC123T, PAC125T and PAC135T 7.6 m (25') handheld torch assembly replacements have been discontinued. In addition, all lead replacement kits and torch bodies have been discontinued for T60, T60M, T80 and T80M torches. While Hypertherm is discontinuing many torch assemblies, **all consumables for all systems will remain available.**

Hypertherm® powermax30®

T30v hand torch consumables



Standard consumables



| Deflector* (optional) | Retaining cap | Nozzle | Swirl ring | Electrode |
|-----------------------|---------------|--------|------------|-----------|
| 220569 | 220483 | 220480 | 220479 | 220478 |

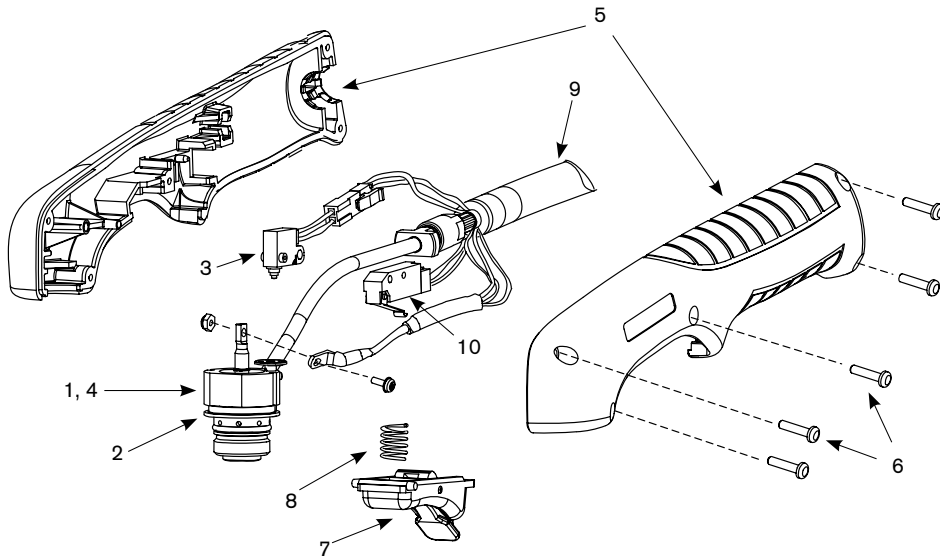
*Optional deflector may be used to help maintain torch-to-work distance or may be used as a guide when cutting with templates.



All-in-one and FineCut kits are available, see pages 25–26 or visit: www.hypertherm.com/consumablekits.

T30v hand torch assembly

Section 2: Current Powermax systems



Assembly

| Part number | Description |
|-------------|---|
| 088001* | T30v hand torch assembly with 4.5 m (15') leads |
| 1. 228112 | Kit: T30v main body replacement |
| 2. 058503 | O-ring: Viton .626 x .070 |
| 3. 228109 | Kit: Cap-off sensor replacement |
| 4. 228110 | Kit: T30v torch head repair |
| 5. 228111 | Kit: T30v torch handle replacement |
| 6. 075339 | Handle screws |
| 7. 002244 | Safety trigger |
| 8. 027254 | Spring |
| 9. 228113 | Kit: T30v 4.5 m (15') torch lead replacement |
| 10. 128642 | Kit: T30v start switch replacement |
| 123868 | Work lead with clamp, 4.5 m (15') |

*Assembly includes consumables.

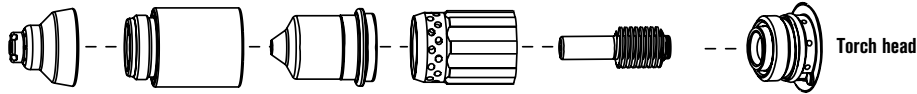


Hypertherm® powermax45®

T45v hand torch consumables

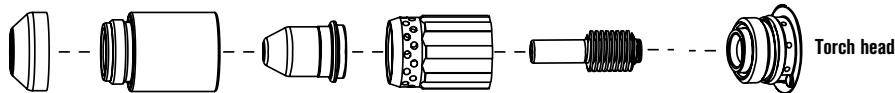


Shielded consumables



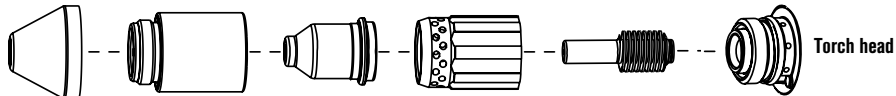
| Shield | Retaining cap | Nozzle | Swirl ring | Electrode |
|--------|---------------|--------|------------|-----------|
| 220674 | 220713 | 220671 | 220670 | 220669 |

Unshielded* consumables



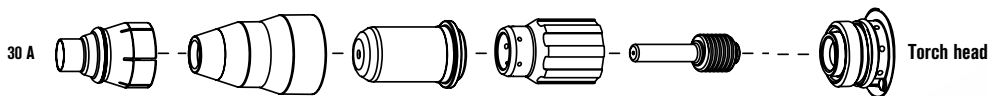
| Deflector | Retaining cap | Nozzle | Swirl ring | Electrode |
|-----------|---------------|--------|------------|-----------|
| 220717 | 220713 | 220718 | 220670 | 220669 |

Gouging consumables



| Shield | Retaining cap | Nozzle | Swirl ring | Electrode |
|--------|---------------|--------|------------|-----------|
| 220675 | 220713 | 220672 | 220670 | 220669 |

T30v consumables**



| 30 A Deflector (optional) | Retaining cap | Nozzle | Swirl ring | Electrode |
|---------------------------|---------------|--------|------------|-----------|
| 30 A 220569 | 220483 | 220480 | 220479 | 220478 |

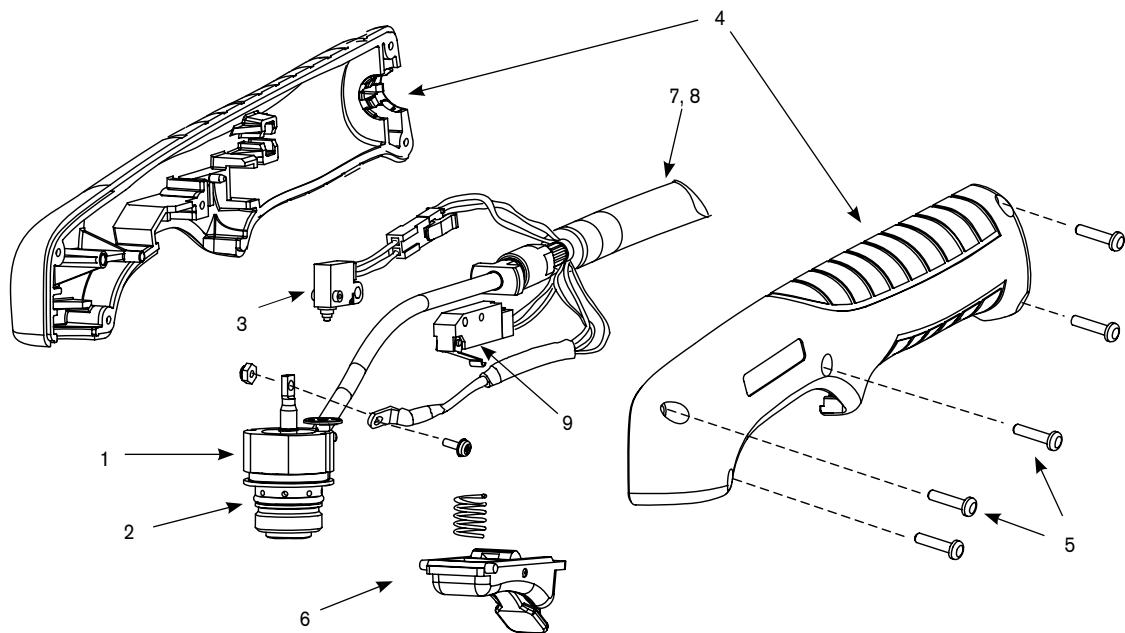


All-in-one and FineCut kits are available, see pages 25–26 or visit: www.hypertherm.com/consumablekits.

*In countries following CE standards unshielded consumables may only be used in mechanized torch applications.

**Use T30v 30 A consumables for fine feature cutting on thin metals

T45v hand torch assembly



Assembly

| Part number | Description |
|-------------|--|
| 088008* | T45v hand torch assembly with 6.1 m (20') leads |
| 088009* | T45v hand torch assembly with 15.2 m (50') leads |
| 1. 228346 | Kit: Torch body replacement |
| 2. 058503 | O-ring: torch body |
| 3. 228109 | Kit: Cap-sensor switch replacement |
| 4. 228313 | Kit: handle |
| 5. 075714 | Handle screws |
| 6. 002294 | Safety trigger and spring replacement |
| 7. 228315 | Kit: Torch lead replacement, 6.1 m (20') |
| 8. 228316 | Kit: Torch lead replacement, 15.2 m (50') |
| 228300 | Work lead with clamp, 6.1 m (20') |
| 228307 | Work lead with clamp, 15.2 m (50') |
| 9. 128642 | Kit: T45v/T30v start switch replacement |

*Assembly includes consumables.

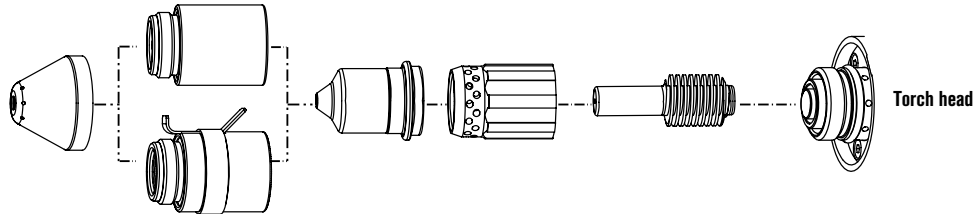


Hypertherm® powermax45®

T45m machine torch consumables

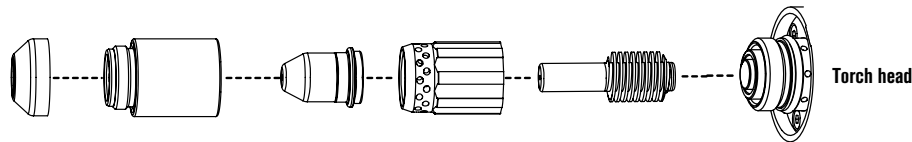


Shielded consumables



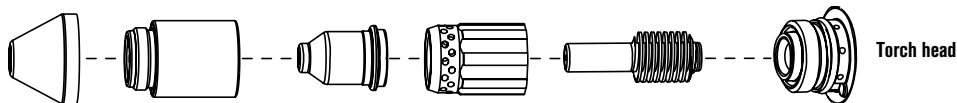
| | Shield | Retaining cap | Nozzle | Swirl ring | Electrode |
|--------------|---------|---------------|---------|------------|-----------|
| | 220673* | 220713 | 220671* | 220670 | 220669* |
| Ohmic | | 220719 | | | |

Unshielded consumables



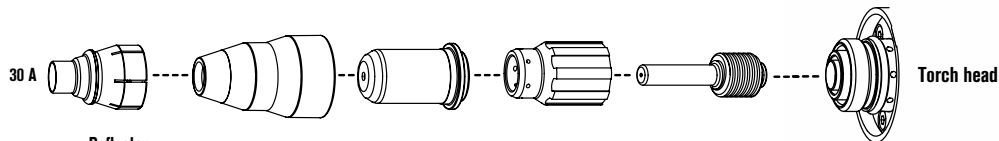
| | Deflector | Retaining cap | Nozzle | Swirl ring | Electrode |
|--|-----------|---------------|--------|------------|-----------|
| | 220717 | 220713 | 220718 | 220670 | 220669* |

Gouging consumables



| | Shield | Retaining cap | Nozzle | Swirl ring | Electrode |
|--|--------|---------------|--------|------------|-----------|
| | 220675 | 220713 | 220672 | 220670 | 220669* |

T30v consumables*



| | Deflector (optional) | Retaining cap | Nozzle | Swirl ring | Electrode |
|-------------|----------------------|---------------|--------|------------|-----------|
| 30 A | 220569 | 220483 | 220480 | 220479 | 220478 |

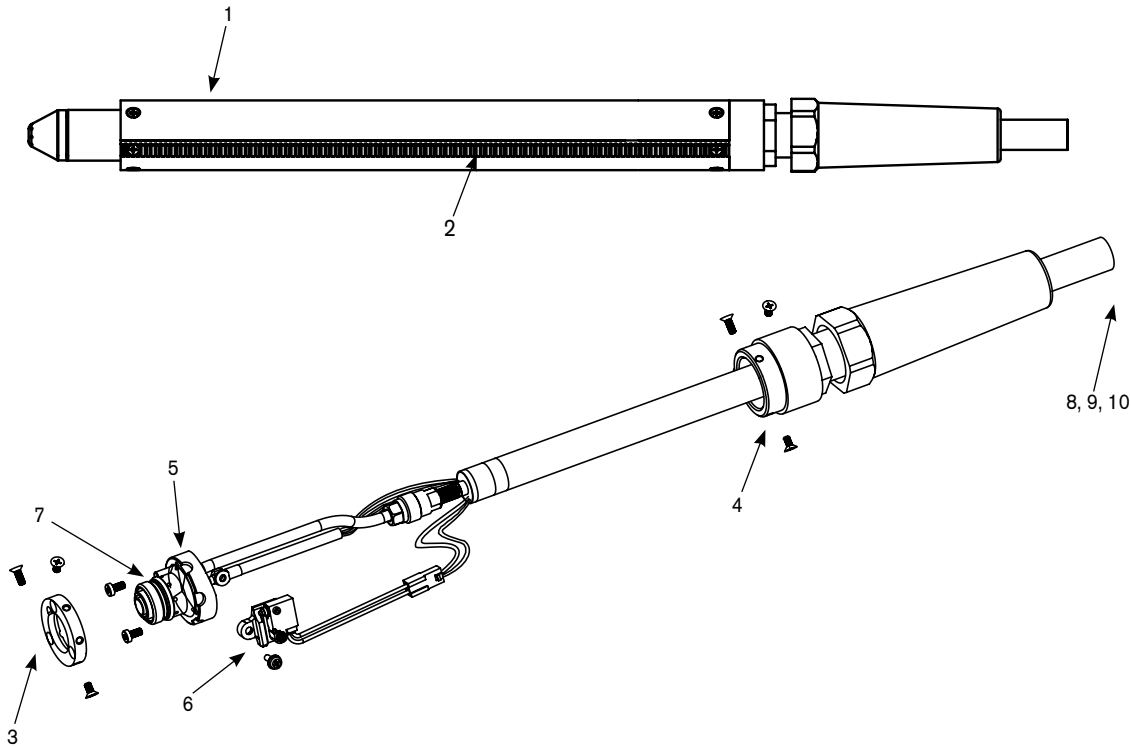
*Use T30v 30 A consumables for 30 A fine-feature cutting on thin metals.



All-in-one and FineCut kits are available, see pages 25–26 or visit: www.hypertherm.com/consumablekits.

*Consumables available in a bulk package option, see page 27 for bulk package information.

T45m machine torch assembly



Assembly

| Part number | Description |
|-------------|---|
| 088010* | T45m machine torch assembly with 7.6 m (25') leads |
| 088011* | T45m machine torch assembly with 10.7 m (35') leads |
| 088012* | T45m machine torch assembly with 15.2 m (50') leads |
| 1. 228228 | Kit: T45m positioning sleeve |
| 2. 228229 | Kit: T45m removable gear rack |
| 3. 228322 | Kit: Front mounting ring |
| 4. 228323 | Kit: Rear mounting ring |
| 5. 228320 | Kit: T45m torch body replacement |
| 6. 228321 | Kit: T45m cap-sensor switch replacement |
| 7. 058503 | O-ring: torch body |
| 8. 228317 | T45m torch lead replacement, 7.6 m (25') |
| 9. 228318 | T45m torch lead replacement, 10.7 m (35') |
| 10. 228319 | T45m torch lead replacement, 15.2 m (50') |
| 128650 | On/Off pendant for machine torch, 7.6 m (25') |
| 128651 | On/Off pendant for machine torch, 15.2 m (50') |
| 128652 | On/Off pendant for machine torch, 22.8 m (75') |
| 228300 | Work lead with clamp, 6.1 m (20') |
| 228307 | Work lead with clamp, 15.2 m (50') |

*Assembly includes consumables.

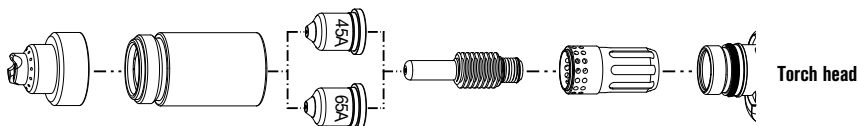


Hypertherm® powermax65®

Duramax hand torch consumables

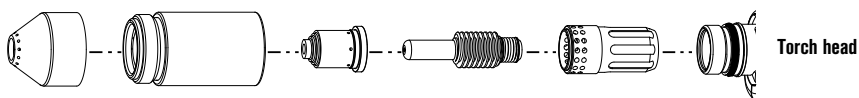


Drag-cutting consumables



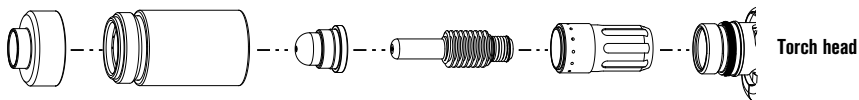
| | Shield | Retaining cap | Nozzle | Electrode | Swirl ring |
|------|---------|---------------|---------|-----------|------------|
| 45 A | 220818* | 220854 | 220941* | 220842* | 220857 |
| 65 A | 220818* | 220854 | 220819* | 220842* | 220857 |

Gouging consumables



| | Shield | Retaining cap | Nozzle | Electrode | Swirl ring |
|------|--------|---------------|---------|-----------|------------|
| 65 A | 220798 | 220854 | 220797* | 220842* | 220857 |

FineCut consumables



| | Shield/Deflector | Retaining cap | Nozzle | Electrode | Swirl ring |
|------|------------------|---------------|---------|-----------|------------|
| 45 A | 220931 | 220854 | 220930* | 220842* | 220947 |

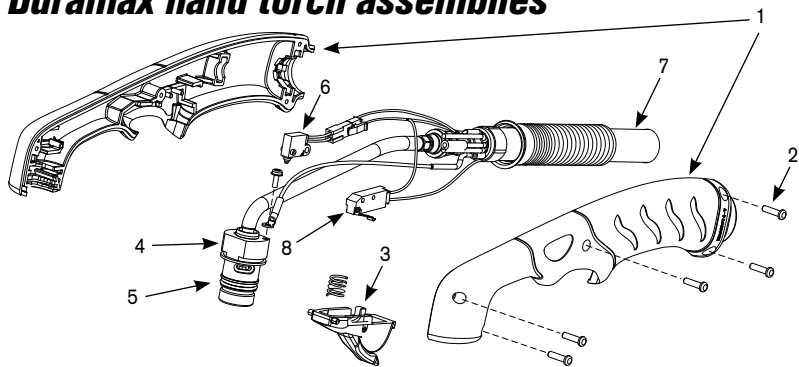


All-in-one and FineCut kits are available, see pages 25–26 or visit: www.hypertherm.com/consumablekits.

*Consumables available in a bulk package option, see page 27 for bulk package information.

New CopperPlus longer life electrode available for Duramax torches. Please refer to the back cover of the catalog for additional information. CopperPlus part number 220777.

Duramax hand torch assemblies

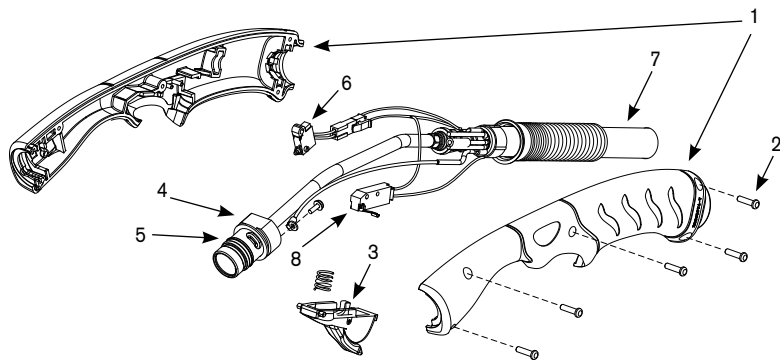


Duramax 75° hand torch assembly

| Part number | Description |
|-------------|---|
| 059473 | Duramax 75° hand torch assembly with 7.6 m (25') lead |
| 059474 | Duramax 75° hand torch assembly with 15.2 m (50') lead |
| 059475 | Duramax 75° hand torch assembly with 22.8 m (75') lead |
| 1. 228954 | Kit: Duramax 75°/HRT Torch handle replacement |
| 2. 075714* | Handle screws, #4 x 1/2 slotted TORX pan head, S/B |
| 3. 228721 | Kit: Duramax 75°/Duramax 15°/HRT/HRTs (spring and trigger assembly) |
| 4. 228714* | Kit: Duramax 75° Torch main body replacement (3/8" coupler) |
| 4. 228958* | Kit: Duramax 75° Torch main body replacment (1/2" coupler) |
| 5. 058519 | O-ring |
| 6. 228719 | Kit: Duramax 75° Cap-sensor switch replacement |
| 7. 228959* | Kit: Duramax 75° Torch lead replacement, 7.6 m (25') |
| 7. 228960* | Kit: Duramax 75° Torch lead replacement, 15.2 m (50') |
| 7. 228961 | Kit: Duramax 75° Torch lead replacement, 22.8 m (75') |
| 8. 005252 | Trigger start switch |
| 223125† | Kit: 65 A Work lead with hand clamp, 7.6 m (25') |

*Before ordering these parts verify the date the torch was built.

†Other work lead options available.



Duramax 15° hand torch assembly

| Part number | Description |
|-------------|---|
| 059470 | Duramax 15° hand torch assembly with 7.6 m (25') lead |
| 059471 | Duramax 15° hand torch assembly with 15.2 m (50') lead |
| 059472 | Duramax 15° hand torch assembly with 22.8 m (75') lead |
| 1. 228955 | Kit: Duramax 15° Torch handle replacement |
| 2. 075714* | Handle screws, #4 x 1/2 slotted TORX pan head, S/B |
| 3. 228721 | Kit: Duramax 15°/Duramax 75°/HRT/HRTs (spring and trigger assembly) |
| 4. 228715* | Kit: Duramax 15° Torch main body replacement (3/8" coupler) |
| 4. 228957* | Kit: Duramax 15° Torch main body replacment (1/2" coupler) |
| 5. 058519 | O-ring |
| 6. 228109 | Kit: Duramax 15° Cap-sensor switch replacement |
| 7. 228959* | Kit: Duramax 15° Torch lead replacement, 7.6 m (25') |
| 7. 228960* | Kit: Duramax 15° Torch lead replacement, 15.2 m (50') |
| 7. 228961 | Kit: Duramax 15° Torch lead replacement, 22.8 m (75') |
| 8. 005252 | Trigger start switch |
| 223125† | Kit: 65 A Work lead with hand clamp, 7.6 m (25') |

*Before ordering these parts verify the date the torch was built.

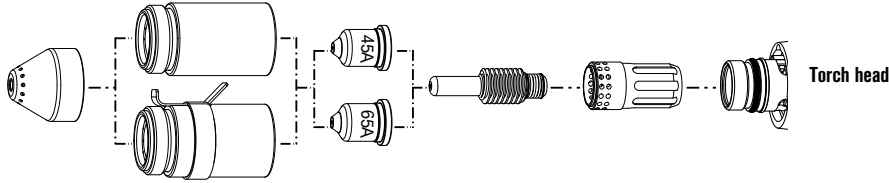
†Other work lead options available.

Hypertherm® powermax65®

Duramax machine torch consumables

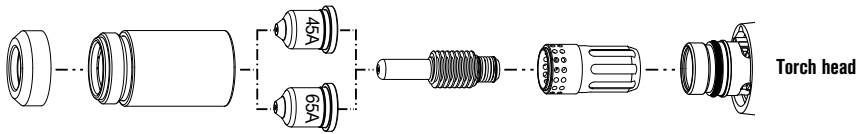


Mechanized consumables



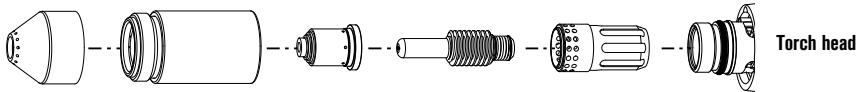
| | Shield | Retaining cap | Nozzle | Electrode | Swirl ring |
|-------|---------|---------------|---------|-----------|------------|
| 45 A | 220817* | 220854 | 220941* | 220842* | 220857 |
| 65 A | 220817* | 220854 | 220819* | 220842* | 220857 |
| Ohmic | | 220953 | | | |

Unshielded consumables



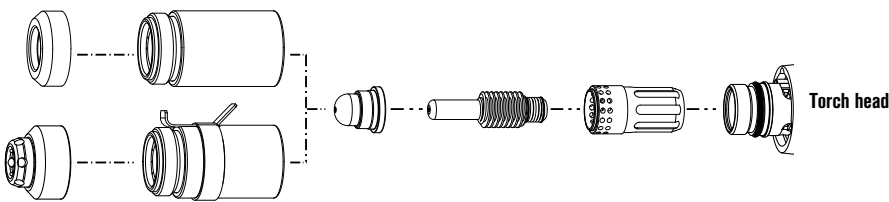
| | Shield/Deflector | Retaining cap | Nozzle | Electrode | Swirl ring |
|------|------------------|---------------|---------|-----------|------------|
| 45 A | 220955 | 220854 | 220941* | 220842* | 220857 |
| 65 A | 220955 | 220854 | 220819* | 220842* | 220857 |

Gouging consumables



| | Shield | Retaining cap | Nozzle | Electrode | Swirl ring |
|------|--------|---------------|---------|-----------|------------|
| 65 A | 220798 | 220854 | 220797* | 220842* | 220857 |

FineCut consumables



| | Shield/Deflector | Retaining cap | Nozzle | Electrode | Swirl ring |
|-------|------------------|---------------|---------|-----------|------------|
| 45 A | 220955 | 220854 | 220930* | 220842* | 220857 |
| Ohmic | 220948 | 220953 | | | |



Duramax series



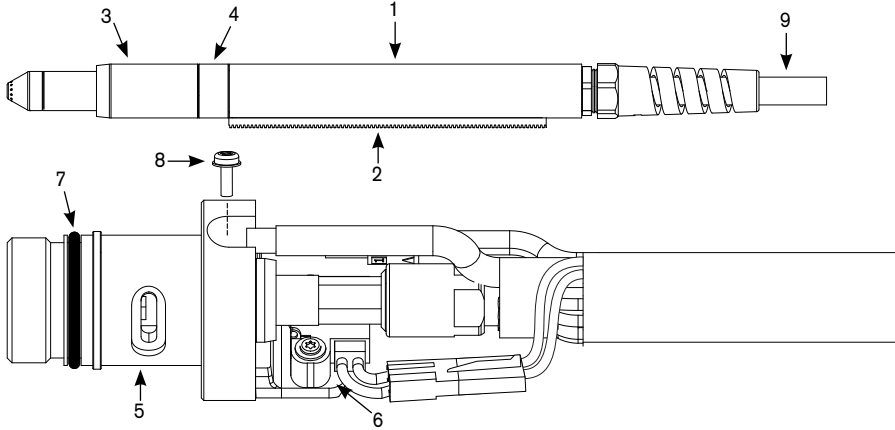
Duramax robotic series

All-in-one and FineCut kits are available, see pages 25–26 or visit: www.hypertherm.com/consumablekits.

*Consumables available in a bulk package option, see page 27 for bulk package information.

New CopperPlus longer life electrode available for Duramax torches. Please refer to the back cover of the catalog for additional information. CopperPlus part number 220777.

Duramax 180° and Duramax 180° mini machine torch assemblies



Duramax 180° torch assembly

| Part number | Description |
|-------------|---|
| 059476 | Duramax 180° machine torch assembly with 4.5 m (15') lead |
| 059477 | Duramax 180° machine torch assembly with 7.6 m (25') lead |
| 059478 | Duramax 180° machine torch assembly with 10.7 m (35') lead |
| 059479 | Duramax 180° machine torch assembly with 15.2 m (50') lead |
| 059480 | Duramax 180° machine torch assembly with 22.8 m (75') lead |
| 1. 228737 | Kit: Duramax 180° positioning sleeve |
| 2. 228738 | Kit: Duramax 180° removable gear rack |
| 3. 228735 | Kit: Duramax 180°/Duramax 180° torch front mounting sleeve |
| 4. 228736 | Kit: Duramax 180°/Duramax 180° torch adapter ring (coupler) |
| 5. 228716 | Kit: Duramax 180°/Duramax 180° torch main body replacement |
| 6. 228720 | Kit: Cap-sensor switch replacement |
| 7. 058519 | O-ring |
| 8. 075504 | Pilot terminal screw |
| 9. 228730 | Kit: Duramax 180°/Duramax 180° torch lead replacement, 4.5 m (15') |
| 9. 228731 | Kit: Duramax 180°/Duramax 180° torch lead replacement, 7.6 m (25') |
| 9. 228732 | Kit: Duramax 180°/Duramax 180° torch lead replacement, 10.7 m (35') |
| 9. 228733 | Kit: Duramax 180°/Duramax 180° torch lead replacement, 15.2 m (50') |
| 9. 228734 | Kit: Duramax 180°/Duramax 180° torch lead replacement, 22.8 m (75') |
| 128650 | Remote start pendant for machine torch, 7.6 m (25') |
| 128651 | Remote start pendant for machine torch, 15.2 m (50') |
| 128652 | Remote start pendant for machine torch, 22.8 m (75') |
| 223125† | Kit: 65 A Work lead with hand clamp, 7.6 m (25') |

†Other work lead options available.

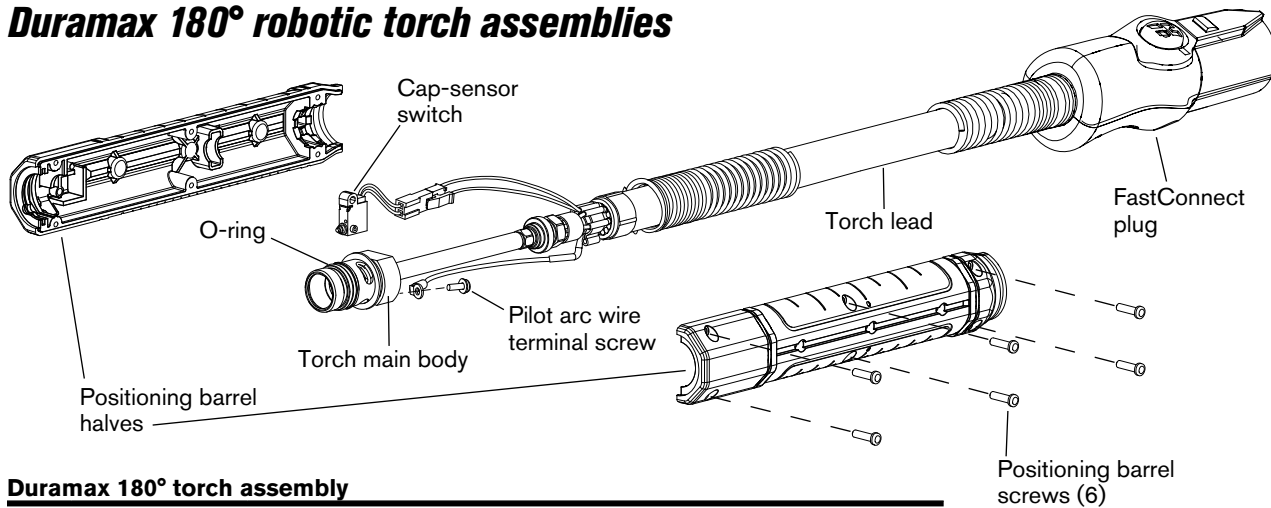
Duramax 180° mini torch assembly

| Part number | Description |
|-------------|--|
| 059481 | Duramax 180° mini machine torch assembly with 4.5 m (15') lead |
| 059482 | Duramax 180° mini machine torch assembly with 7.6 m (25') lead |
| 059483 | Duramax 180° mini machine torch assembly with 10.7 m (35') lead |
| 059484 | Duramax 180° mini machine torch assembly with 15.2 m (50') lead |
| 3. 228735 | Kit: Duramax 180°/Duramax 180° mini torch front mounting sleeve |
| 4. 228736 | Kit: Duramax 180°/Duramax 180° mini torch adapter ring (coupler) |
| 5. 228716 | Kit: Duramax 180°/Duramax 180° mini torch main body replacement |
| 6. 228720 | Kit: Cap-sensor switch replacement |
| 7. 058519 | O-ring |
| 8. 075504 | Pilot terminal screw |
| 9. 228730 | Kit: Duramax 180°/Duramax 180° mini torch lead replacement, 4.5 m (15') |
| 9. 228731 | Kit: Duramax 180°/Duramax 180° mini torch lead replacement, 7.6 m (25') |
| 9. 228732 | Kit: Duramax 180°/Duramax 180° mini torch lead replacement, 10.7 m (35') |
| 9. 228733 | Kit: Duramax 180°/Duramax 180° mini torch lead replacement, 15.2 m (50') |
| 9. 228734 | Kit: Duramax 180°/Duramax 180° mini torch lead replacement, 22.8 m (75') |
| 128650 | Remote start pendant for machine torch, 7.6 m (25') |
| 128651 | Remote start pendant for machine torch, 15.2 m (50') |
| 128652 | Remote start pendant for machine torch, 22.8 m (75') |
| 223125† | Kit: 65 A Work lead with hand clamp, 7.6 m (25') |
| 223125† | Kit: 65 A Work lead with hand clamp, 7.6 m (25') |

†Other work lead options available.



Duramax 180° robotic torch assemblies

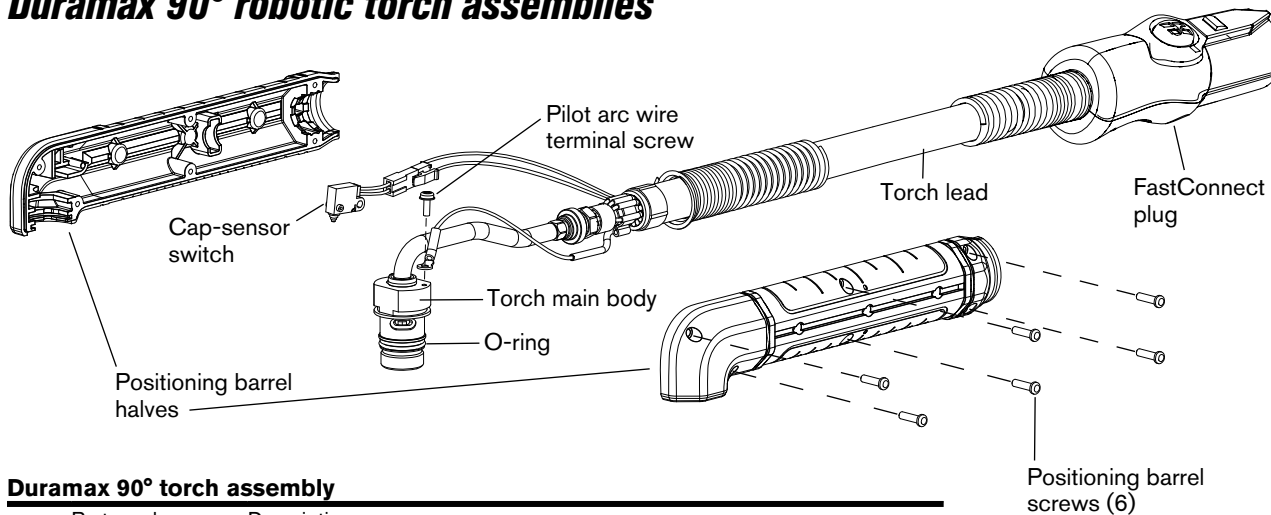


Duramax 180° torch assembly

| Part number | Description |
|-------------|--|
| 059466 | 180° Duramax robotic torch assembly with leads |
| 058519 | O-ring |
| 075504 | Pilot terminal screw |
| 075714 | #4 x 1/2 slotted TORX pan head screws |
| 228109 | Kit: Cap-sensor switch replacement |
| 228314 | Kit: FastConnect replacement |
| 228852 | Kit: Robotic torch lead replacement, 7.6 m (25') |
| 228853 | Kit: 180° Robotic torch main body replacement |
| 228856 | Kit: 180° Robotic torch positioning barrel replacement |

Note: The entire 180° robotic torch assembly with leads can be replaced, or individual component parts can be replaced.

Duramax 90° robotic torch assemblies

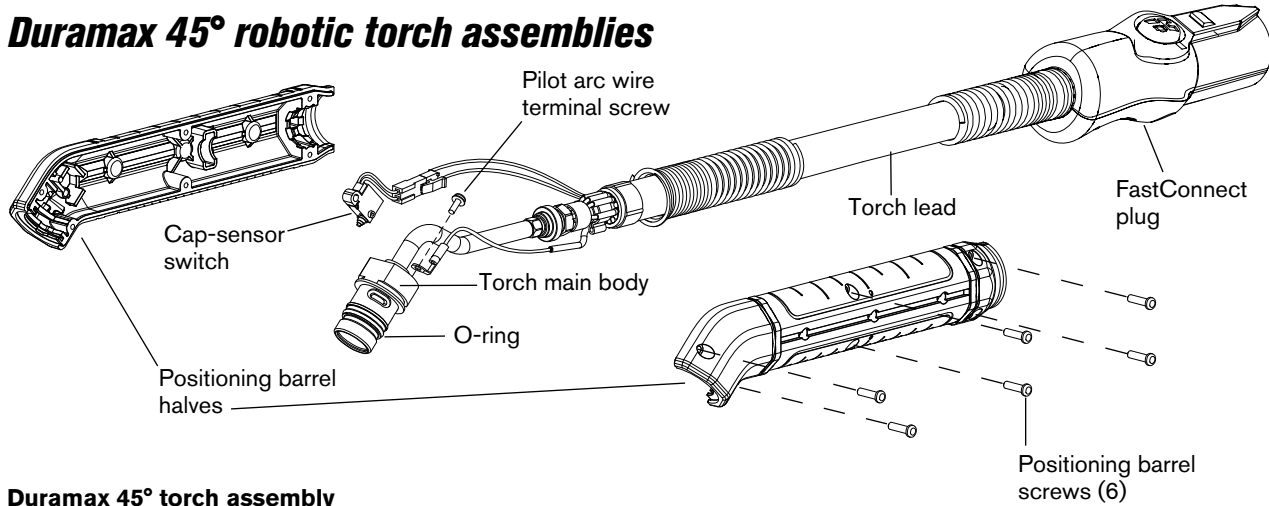


Duramax 90° torch assembly

| Part number | Description |
|-------------|---|
| 059465 | 90° Duramax robotic torch assembly with leads |
| 058519 | O-ring |
| 075504 | Pilot terminal screw |
| 075714 | #4 x 1/2 slotted TORX pan head screws |
| 228109 | Kit: Cap-sensor switch replacement |
| 228314 | Kit: FastConnect replacement |
| 228852 | Kit: Robotic torch lead replacement, 7.6 m (25') |
| 228854 | Kit: 90° Robotic torch main body replacement |
| 228857 | Kit: 90° Robotic torch positioning barrel replacement |

Note: The entire 90° robotic torch assembly with leads can be replaced, or individual component parts can be replaced.

Duramax 45° robotic torch assemblies



Duramax 45° torch assembly

| Part number | Description |
|-------------|---|
| 059464 | 45° Duramax robotic torch assembly with leads |
| 058519 | O-ring |
| 075504 | Pilot terminal screw |
| 075714 | #4 x 1/2 slotted TORX pan head screws |
| 228109 | Kit: Cap-sensor switch replacement |
| 228314 | Kit: FastConnect replacement |
| 228852 | Kit: Robotic torch lead replacement, 7.6 m (25') |
| 228855 | Kit: 45° Robotic torch main body replacement |
| 228858 | Kit: 45° Robotic torch positioning barrel replacement |

Note: The entire 45° robotic torch assembly with leads can be replaced, or individual component parts can be replaced.

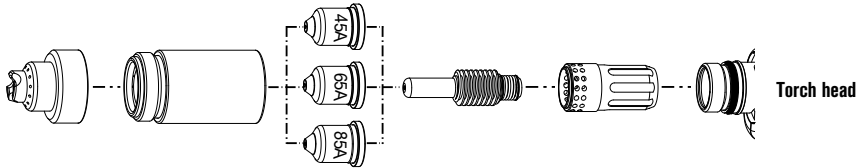
Hypertherm® powermax85®

Duramax hand torch consumables



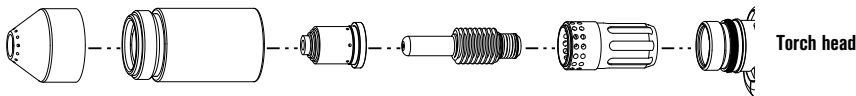
Section 2: Current Powermax systems

Drag-cutting consumables



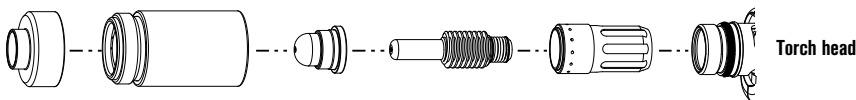
| | Shield | Retaining cap | Nozzle | Electrode | Swirl ring |
|------|---------|---------------|---------|-----------|------------|
| 45 A | 220818* | 220854 | 220941* | 220842* | 220857 |
| 65 A | 220818* | 220854 | 220819* | 220842* | 220857 |
| 85 A | 220818* | 220854 | 220816* | 220842* | 220857 |

Gouging consumables



| | Shield | Retaining cap | Nozzle | Electrode | Swirl ring |
|-----------|--------|---------------|---------|-----------|------------|
| 65 A/85 A | 220798 | 220854 | 220797* | 220842* | 220857 |

FineCut consumables



| | Shield/Deflector | Retaining cap | Nozzle | Electrode | Swirl ring |
|------|------------------|---------------|---------|-----------|------------|
| 45 A | 220931 | 220854 | 220930* | 220842* | 220947 |

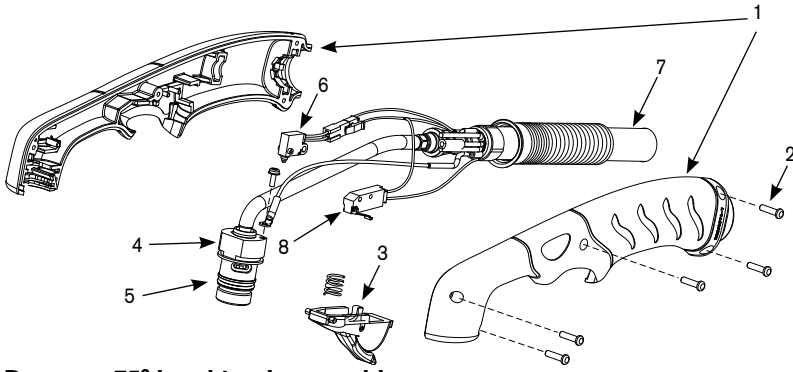


All-in-one and FineCut kits are available, see pages 25–26 or visit: www.hypertherm.com/consumablekits.

*Consumables available in a bulk package option, see page 27 for bulk package information.

New CopperPlus longer life electrode available for Duramax torches. Please refer to the back cover of the catalog for additional information. CopperPlus part number 220777.

Duramax 75° and Duramax 15° hand torch assemblies

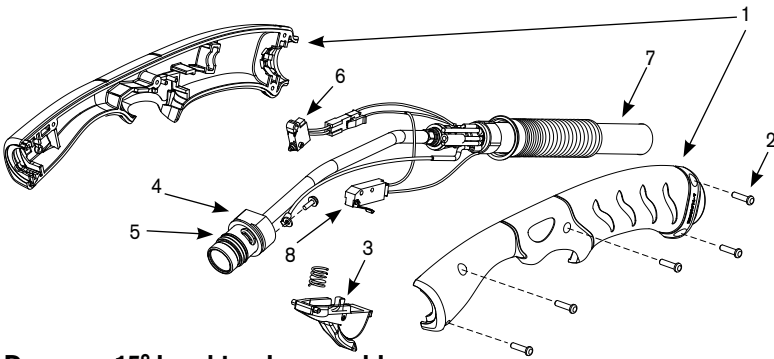


Duramax 75° hand torch assembly

| Part number | Description |
|-------------|---|
| 059473 | Duramax 75° hand torch assembly with 7.6 m (25') lead |
| 059474 | Duramax 75° hand torch assembly with 15.2 m (50') lead |
| 059475 | Duramax 75° hand torch assembly with 22.8 m (75') lead |
| 1. 228954 | Kit: Duramax 75°/HRT Torch handle replacement |
| 2. 075714* | Handle screws, #4 x 1/2 slotted TORX pan head, S/B |
| 3. 228721 | Kit: Duramax 75°/Duramax 15°/HRT/HRTs (spring and trigger assembly) |
| 4. 228714* | Kit: Duramax 75° Torch main body replacement (3/8" coupler) |
| 4. 228958* | Kit: Duramax 75° Torch main body replacement (1/2" coupler) |
| 5. 058519 | O-ring |
| 6. 228719 | Kit: Duramax 75° Cap-sensor switch replacement |
| 7. 228959* | Kit: Duramax 75° Torch lead replacement, 7.6 m (25') |
| 7. 228960* | Kit: Duramax 75° Torch lead replacement, 15.2 m (50') |
| 7. 228961 | Kit: Duramax 75° Torch lead replacement, 22.8 m (75') |
| 8. 005252 | Trigger start switch |
| 223035† | Kit: 85 A Work lead with hand clamp, 7.6 m (25') |

*Before ordering this part verify the date the torch was built.

†Other work lead options available.



Duramax 15° hand torch assembly

| Part number | Description |
|-------------|---|
| 059470 | Duramax 15° hand torch assembly with 7.6 m (25') lead |
| 059471 | Duramax 15° hand torch assembly with 15.2 m (50') lead |
| 059472 | Duramax 15° hand torch assembly with 22.8 m (75') lead |
| 1. 228955 | Kit: Duramax 15° Torch handle replacement |
| 2. 075714* | Handle screws, #4 x 1/2 slotted TORX pan head, S/B |
| 3. 228721 | Kit: Duramax 15°/Duramax 75°/HRT/HRTs (spring and trigger assembly) |
| 4. 228715* | Kit: Duramax 15° Torch main body replacement (3/8" coupler) |
| 4. 228957* | Kit: Duramax 15° Torch main body replacement (1/2" coupler) |
| 5. 058519 | O-ring |
| 6. 228109 | Kit: Duramax 15° Cap-sensor switch replacement |
| 7. 228959* | Kit: Duramax 15° Torch lead replacement, 7.6 m (25') |
| 7. 228960* | Kit: Duramax 15° Torch lead replacement, 15.2 m (50') |
| 7. 228961 | Kit: Duramax 15° Torch lead replacement, 22.8 m (75') |
| 8. 005252 | Trigger start switch |
| 223035† | Kit: 85 A Work lead with hand clamp, 7.6 m (25') |

*Before ordering this part verify the date the torch was built.

†Other work lead options available.

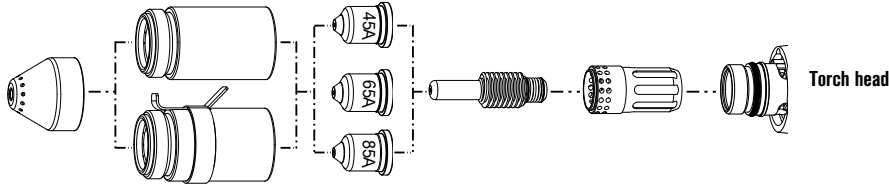


Hypertherm® powermax 85®

Duramax machine torch consumables

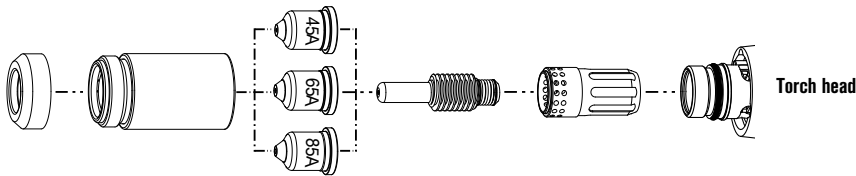


Mechanized consumables



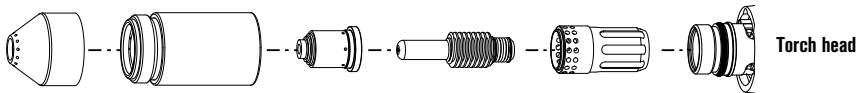
| | Shield | Retaining cap | Nozzle | Electrode | Swirl ring |
|-------|---------|---------------|---------|-----------|------------|
| 45 A | 220817* | 220854 | 220941* | 220842* | 220857 |
| 65 A | 220817* | 220854 | 220819* | 220842* | 220857 |
| 85 A | 220817* | 220854 | 220816* | 220842* | 220857 |
| Ohmic | | 220953 | | | |

Unshielded consumables



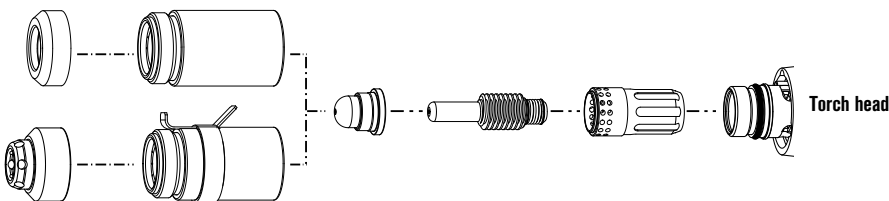
| | Shield/Deflector | Retaining cap | Nozzle | Electrode | Swirl ring |
|------|------------------|---------------|---------|-----------|------------|
| 45 A | 220955 | 220854 | 220941* | 220842* | 220857 |
| 65 A | 220955 | 220854 | 220819* | 220842* | 220857 |
| 85 A | 220955 | 220854 | 220816* | 220842* | 220857 |

Gouging consumables



| | Shield | Retaining cap | Nozzle | Electrode | Swirl ring |
|-----------|--------|---------------|---------|-----------|------------|
| 65 A/85 A | 220798 | 220854 | 220797* | 220842* | 220857 |

FineCut consumables



| | Shield/Deflector | Retaining cap | Nozzle | Electrode | Swirl ring |
|-------|------------------|---------------|---------|-----------|------------|
| 45 A | 220955 | 220854 | 220930* | 220842* | 220857 |
| Ohmic | 220948 | 220953 | | | |



Duramax series



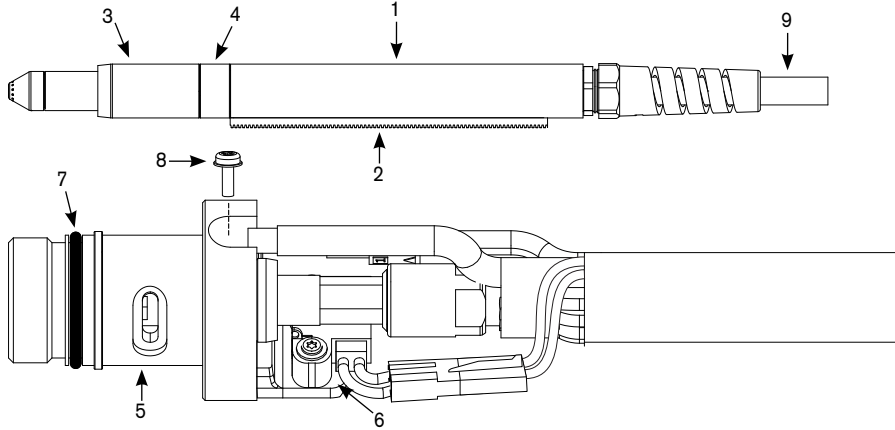
Duramax robotic series

All-in-one and FineCut kits are available, see pages 25–26 or visit: www.hypertherm.com/consumablekits.

*Consumables available in a bulk package option, see page 27 for bulk package information.

New CopperPlus longer life electrode available for Duramax torches. Please refer to the back cover of the catalog for additional information. CopperPlus part number 220777.

Duramax 180° and Duramax 180° mini machine torch assemblies



Duramax 180° torch assembly

| Part number | Description |
|-------------|---|
| 059476 | Duramax 180° machine torch assembly with 4.5 m (15') lead |
| 059477 | Duramax 180° machine torch assembly with 7.6 m (25') lead |
| 059478 | Duramax 180° machine torch assembly with 10.7 m (35') lead |
| 059479 | Duramax 180° machine torch assembly with 15.2 m (50') lead |
| 059480 | Duramax 180° machine torch assembly with 22.8 m (75') lead |
| 1. 228737 | Kit: Duramax 180° positioning sleeve |
| 2. 228738 | Kit: Duramax 180° removable gear rack |
| 3. 228735 | Kit: Duramax 180°/Duramax 180° torch front mounting sleeve |
| 4. 228736 | Kit: Duramax 180°/Duramax 180° torch adapter ring (coupler) |
| 5. 228716 | Kit: Duramax 180°/Duramax 180° torch main body replacement |
| 6. 228720 | Kit: Cap-sensor switch replacement |
| 7. 058519 | O-ring |
| 8. 075504 | Pilot terminal screw |
| 9. 228730 | Kit: Duramax 180°/Duramax 180° torch lead replacement, 4.5 m (15') |
| 9. 228731 | Kit: Duramax 180°/Duramax 180° torch lead replacement, 7.6 m (25') |
| 9. 228732 | Kit: Duramax 180°/Duramax 180° torch lead replacement, 10.7 m (35') |
| 9. 228733 | Kit: Duramax 180°/Duramax 180° torch lead replacement, 15.2 m (50') |
| 9. 228734 | Kit: Duramax 180°/Duramax 180° torch lead replacement, 22.8 m (75') |
| 128650 | Remote start pendant for machine torch, 7.6 m (25') |
| 128651 | Remote start pendant for machine torch, 15.2 m (50') |
| 128652 | Remote start pendant for machine torch, 22.8 m (75') |
| 223035† | Kit: 85 A Work lead with hand clamp, 7.6 m (25') |

†Other work lead options available.

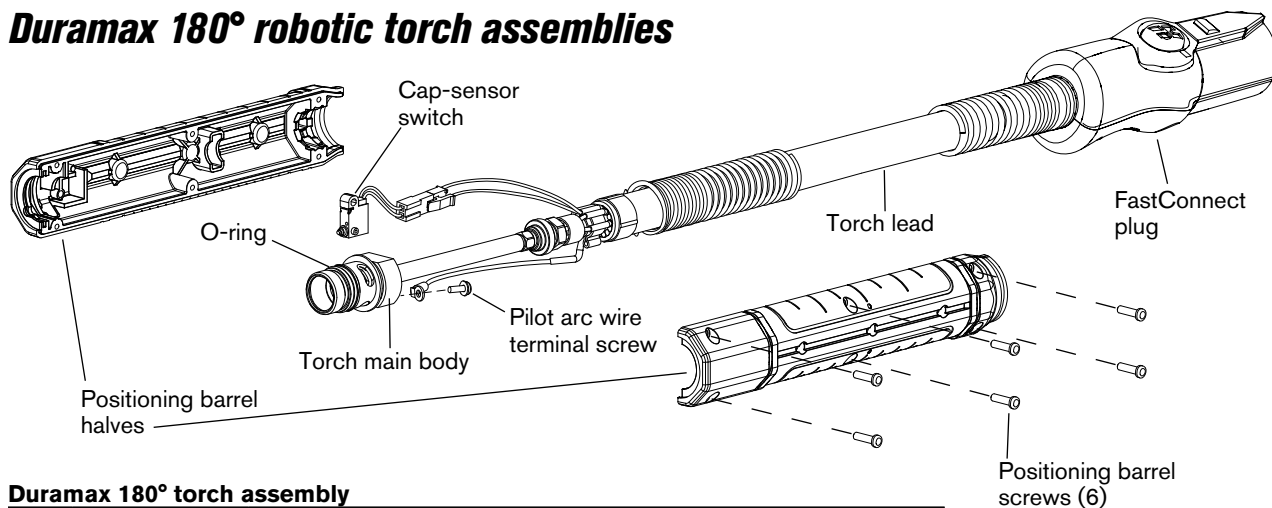
Duramax 180° mini torch assembly

| Part number | Description |
|-------------|--|
| 059481 | Duramax 180° mini machine torch assembly with 4.5 m (15') lead |
| 059482 | Duramax 180° mini machine torch assembly with 7.6 m (25') lead |
| 059483 | Duramax 180° mini machine torch assembly with 10.7 m (35') lead |
| 059484 | Duramax 180° mini machine torch assembly with 15.2 m (50') lead |
| 3. 228735 | Kit: Duramax 180°/Duramax 180° mini torch front mounting sleeve |
| 4. 228736 | Kit: Duramax 180°/Duramax 180° mini torch adapter ring (coupler) |
| 5. 228716 | Kit: Duramax 180°/Duramax 180° mini torch main body replacement |
| 6. 228720 | Kit: Cap-sensor switch replacement |
| 7. 058519 | O-ring |
| 8. 075504 | Pilot terminal screw |
| 9. 228730 | Kit: Duramax 180°/Duramax 180° mini torch lead replacement, 4.5 m (15') |
| 9. 228731 | Kit: Duramax 180°/Duramax 180° mini torch lead replacement, 7.6 m (25') |
| 9. 228732 | Kit: Duramax 180°/Duramax 180° mini torch lead replacement, 10.7 m (35') |
| 9. 228733 | Kit: Duramax 180°/Duramax 180° mini torch lead replacement, 15.2 m (50') |
| 9. 228734 | Kit: Duramax 180°/Duramax 180° mini torch lead replacement, 22.8 m (75') |
| 128650 | Remote start pendant for machine torch, 7.6 m (25') |
| 128651 | Remote start pendant for machine torch, 15.2 m (50') |
| 128652 | Remote start pendant for machine torch, 22.8 m (75') |
| 223035† | Kit: 85 A Work lead with hand clamp, 7.6 m (25') |

†Other work lead options available.



Duramax 180° robotic torch assemblies

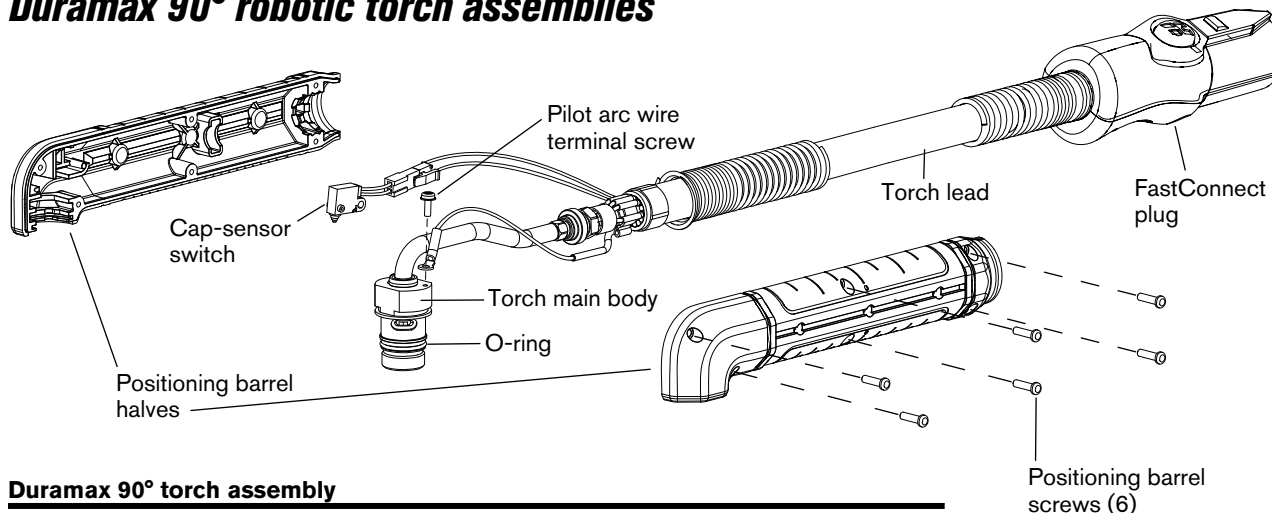


Duramax 180° torch assembly

| Part number | Description |
|-------------|--|
| 059466 | 180° Duramax robotic torch assembly with leads |
| 058519 | O-ring |
| 075504 | Pilot terminal screw |
| 075714 | #4 x 1/2 slotted TORX pan head screws |
| 228109 | Kit: Cap-sensor switch replacement |
| 228314 | Kit: FastConnect replacement |
| 228852 | Kit: Robotic torch lead replacement, 7.6 m (25') |
| 228853 | Kit: 180° Robotic torch main body replacement |
| 228856 | Kit: 180° Robotic torch positioning barrel replacement |

Note: The entire 180° robotic torch assembly with leads can be replaced, or individual component parts can be replaced.

Duramax 90° robotic torch assemblies

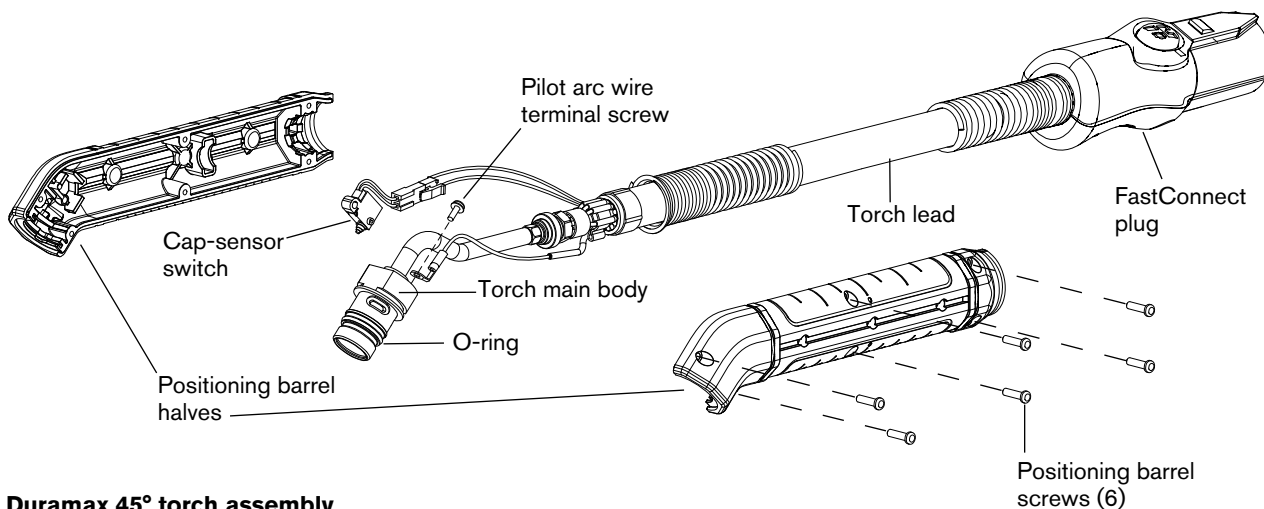


Duramax 90° torch assembly

| Part number | Description |
|-------------|---|
| 059465 | 90° Duramax robotic torch assembly with leads |
| 058519 | O-ring |
| 075504 | Pilot terminal screw |
| 075714 | #4 x 1/2 slotted TORX pan head screws |
| 228109 | Kit: Cap-sensor switch replacement |
| 228314 | Kit: FastConnect replacement |
| 228852 | Kit: Robotic torch lead replacement, 7.6 m (25') |
| 228854 | Kit: 90° Robotic torch main body replacement |
| 228857 | Kit: 90° Robotic torch positioning barrel replacement |

Note: The entire 90° robotic torch assembly with leads can be replaced, or individual component parts can be replaced.

Duramax 45° robotic torch assemblies



Duramax 45° torch assembly

| Part number | Description |
|-------------|---|
| 059464 | 45° Duramax robotic torch assembly with leads |
| 058519 | O-ring |
| 075504 | Pilot terminal screw |
| 075714 | #4 x 1/2 slotted TORX pan head screws |
| 228109 | Kit: Cap-sensor switch replacement |
| 228314 | Kit: FastConnect replacement |
| 228852 | Kit: Robotic torch lead replacement, 7.6 m (25') |
| 228855 | Kit: 45° Robotic torch main body replacement |
| 228858 | Kit: 45° Robotic torch positioning barrel replacement |

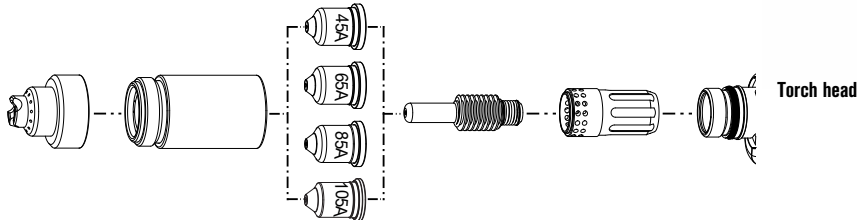
Note: The entire 45° robotic torch assembly with leads can be replaced, or individual component parts can be replaced.

Hypertherm® powermax105®

Duramax hand torch consumables

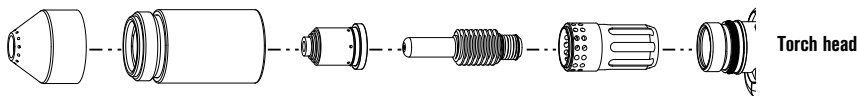


Drag-cutting consumables



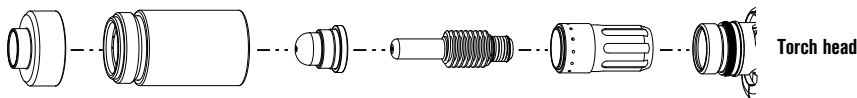
| | Shield | Retaining cap | Nozzle | Electrode | Swirl ring |
|-------|---------|---------------|---------|-----------|------------|
| 45 A | 220818* | 220854 | 220941* | 220842* | 220994 |
| 65 A | 220818* | 220854 | 220819* | 220842* | 220994 |
| 85 A | 220818* | 220854 | 220816* | 220842* | 220994 |
| 105 A | 220992* | 220854 | 220990* | 220842* | 220994 |

Gouging consumables



| | Shield | Retaining cap | Nozzle | Electrode | Swirl ring |
|-----------|--------|---------------|---------|-----------|------------|
| 65 A/85 A | 220798 | 220854 | 220797* | 220842* | 220994 |
| 105 A | 220798 | 220854 | 220991* | 220842* | 220994 |

FineCut consumables



| | Shield/Deflector | Retaining cap | Nozzle | Electrode | Swirl ring |
|------|------------------|---------------|---------|-----------|------------|
| 45 A | 220931 | 220854 | 220930* | 220842* | 220947 |



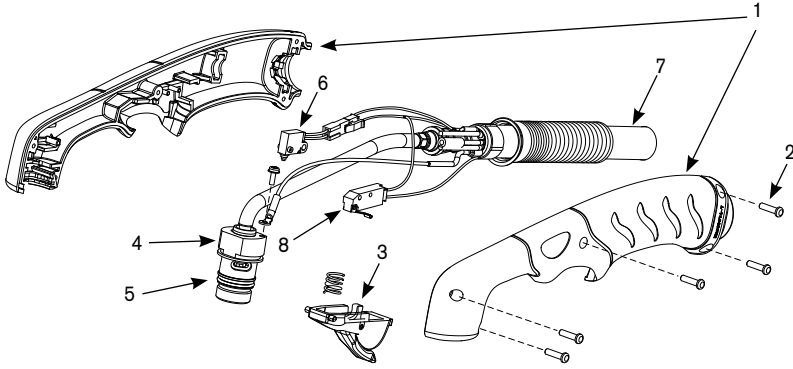
Section 2: Current Powermax systems

All-in-one and FineCut kits are available, see pages 25–26 or visit: www.hypertherm.com/consumablekits.

*Consumables available in a bulk package option, see page 27 for bulk package information.

New CopperPlus longer life electrode available for Duramax torches. Please refer to the back cover of the catalog for additional information. CopperPlus part number 220777.

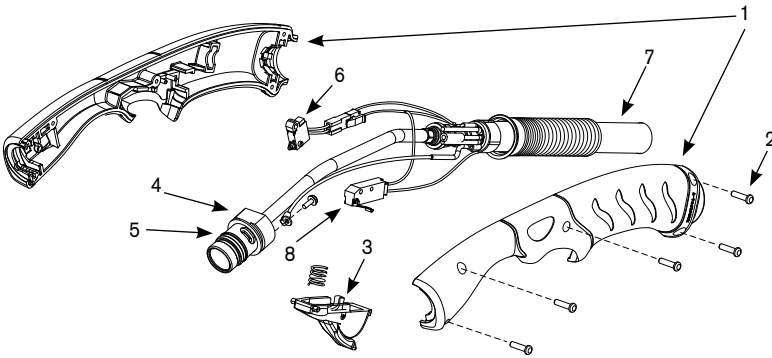
Duramax 75° and Duramax 15° hand torch assemblies



Duramax 75° hand torch assembly

| Part number | Description |
|-------------|---|
| 059473 | Duramax 75° hand torch assembly with 7.6 m (25') lead |
| 059474 | Duramax 75° hand torch assembly with 15.2 m (50') lead |
| 059475 | Duramax 75° hand torch assembly with 22.8 m (75') lead |
| 1. 228954 | Kit: Duramax 75°/HRT Torch handle replacement |
| 2. 075714 | Handle screws, #4 x 1/2 slotted TORX pan head, S/B |
| 3. 228721 | Kit: Duramax 75°/Duramax 15°/HRT/HRTs (spring and trigger assembly) |
| 4. 228958 | Kit: Duramax 75° Torch main body replacement |
| 5. 058519 | O-ring |
| 6. 228719 | Kit: Duramax 75° Cap-sensor switch replacement |
| 7. 228959 | Kit: Duramax 75° Torch lead replacement, 7.6 m (25') |
| 7. 228960 | Kit: Duramax 75° Torch lead replacement, 15.2 m (50') |
| 7. 228961 | Kit: Duramax 75° Torch lead replacement, 22.8 m (75') |
| 8. 005252 | Trigger start switch |
| 223254† | Kit: 105 A Work lead with hand clamp, 7.6 m (25') |

†Other work lead options available.



Duramax 15° hand torch assembly

| Part number | Description |
|-------------|---|
| 059470 | Duramax 15° hand torch assembly with 7.6 m (25') lead |
| 059471 | Duramax 15° hand torch assembly with 15.2 m (50') lead |
| 059472 | Duramax 15° hand torch assembly with 22.8 m (75') lead |
| 1. 228955 | Kit: Duramax 15° Torch handle replacement |
| 2. 075714 | Handle screws, #4 x 1/2 slotted TORX pan head, S/B |
| 3. 228721 | Kit: Duramax 15°/Duramax 75°/HRT/HRTs (spring and trigger assembly) |
| 4. 228957 | Kit: Duramax 15° Torch main body replacement |
| 5. 058519 | O-ring |
| 6. 228109 | Kit: Duramax 15° Cap-sensor switch replacement |
| 7. 228959 | Kit: Duramax 15° Torch lead replacement, 7.6 m (25') |
| 7. 228960 | Kit: Duramax 15° Torch lead replacement, 15.2 m (50') |
| 7. 228961 | Kit: Duramax 15° Torch lead replacement, 22.8 m (75') |
| 8. 005252 | Trigger start switch |
| 223254† | Kit: 105 A Work lead with hand clamp, 7.6 m (25') |

†Other work lead options available.

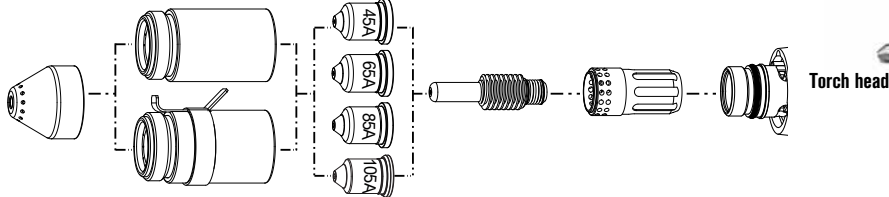


Hypertherm® powermax105®

Duramax machine torch consumables

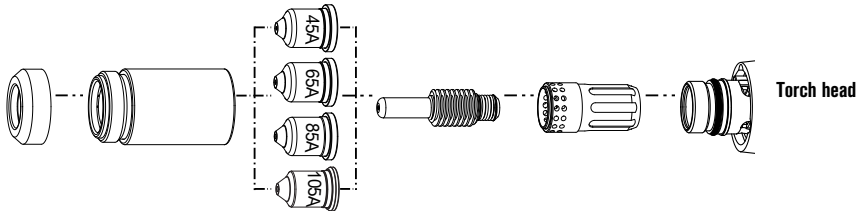


Mechanized consumables



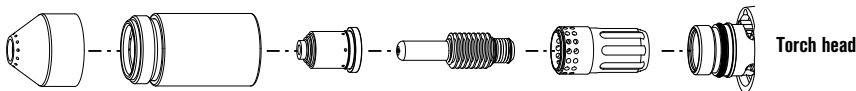
| | Shield | Retaining cap | Nozzle | Electrode | Swirl ring |
|-------|---------|---------------|---------|-----------|------------|
| 45 A | 220817* | 220854 | 220941* | 220842* | 220994 |
| 65 A | 220817* | 220854 | 220819* | 220842* | 220994 |
| 85 A | 220817* | 220854 | 220816* | 220842* | 220994 |
| 105 A | 220993* | 220854 | 220990* | 220842* | 220994 |
| Ohmic | | 220953 | | | |

Unshielded consumables



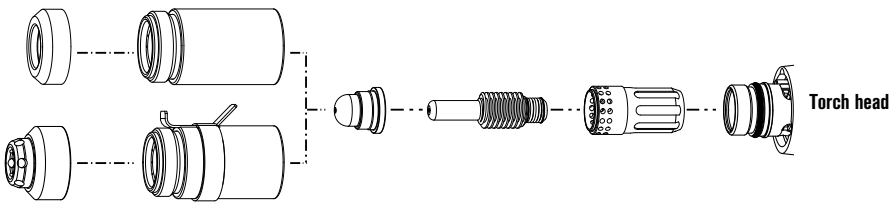
| | Shield/Deflector | Retaining cap | Nozzle | Electrode | Swirl ring |
|-------|------------------|---------------|---------|-----------|------------|
| 45 A | 220955 | 220854 | 220941* | 220842* | 220994 |
| 65 A | 220955 | 220854 | 220819* | 220842* | 220994 |
| 85 A | 220955 | 220854 | 220816* | 220842* | 220994 |
| 105 A | 220955 | 220854 | 220990* | 220842* | 220994 |

Gouging consumables



| | Shield | Retaining cap | Nozzle | Electrode | Swirl ring |
|-----------|--------|---------------|---------|-----------|------------|
| 65 A/85 A | 220798 | 220854 | 220797* | 220842* | 220994 |
| 105 A | 220798 | 220854 | 220991* | 220842* | 220994 |

FineCut consumables



| | Shield/Deflector | Retaining cap | Nozzle | Electrode | Swirl ring |
|-------|------------------|---------------|---------|-----------|------------|
| 45 A | 220955 | 220854 | 220930* | 220842* | 220994 |
| Ohmic | 220948 | 220953 | | | |



Duramax series



Duramax robotic series

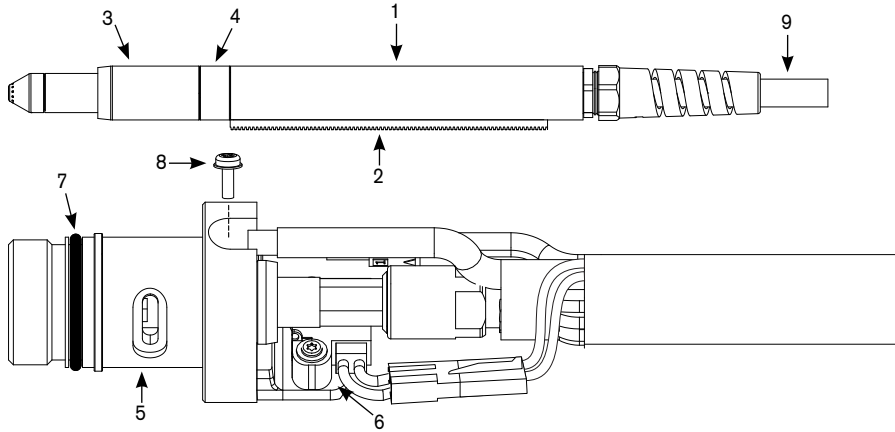
All-in-one and FineCut kits are available, see pages 25–26 or visit: www.hypertherm.com/consumablekits.

*Consumables available in a bulk package option, see page 27 for bulk package information.

New CopperPlus longer life electrode available for Duramax torches. Please refer to the back cover of the catalog for additional information. CopperPlus part number 220777.

Section 2: Current Powermax systems

Duramax 180° and Duramax 180° mini machine torch assemblies



Duramax 180° torch assembly

| Part number | Description |
|-------------|---|
| 059476 | Duramax 180° machine torch assembly with 4.5 m (15') lead |
| 059477 | Duramax 180° machine torch assembly with 7.6 m (25') lead |
| 059478 | Duramax 180° machine torch assembly with 10.7 m (35') lead |
| 059479 | Duramax 180° machine torch assembly with 15.2 m (50') lead |
| 059480 | Duramax 180° machine torch assembly with 22.8 m (75') lead |
| 1. 228737 | Kit: Duramax 180° positioning sleeve |
| 2. 228738 | Kit: Duramax 180° removable gear rack |
| 3. 228735 | Kit: Duramax 180°/Duramax 180° torch front mounting sleeve |
| 4. 228736 | Kit: Duramax 180°/Duramax 180° torch adapter ring (coupler) |
| 5. 228716 | Kit: Duramax 180°/Duramax 180° torch main body replacement |
| 6. 228720 | Kit: Cap-sensor switch replacement |
| 7. 058519 | O-ring |
| 8. 075504 | Pilot terminal screw |
| 9. 228730 | Kit: Duramax 180°/Duramax 180° torch lead replacement, 4.5 m (15') |
| 9. 228731 | Kit: Duramax 180°/Duramax 180° torch lead replacement, 7.6 m (25') |
| 9. 228732 | Kit: Duramax 180°/Duramax 180° torch lead replacement, 35' (10. m) |
| 9. 228733 | Kit: Duramax 180°/Duramax 180° torch lead replacement, 15.2 m (50') |
| 9. 228734 | Kit: Duramax 180°/Duramax 180° torch lead replacement, 22.8 m (75') |
| 128650 | Remote start pendant for machine torch, 7.6 m (25') |
| 128651 | Remote start pendant for machine torch, 15.2 m (50') |
| 128652 | Remote start pendant for machine torch, 22.8 m (75') |
| 223254† | Kit: 105 A Work lead with hand clamp, 7.6 m (25') |

†Other work lead options available.

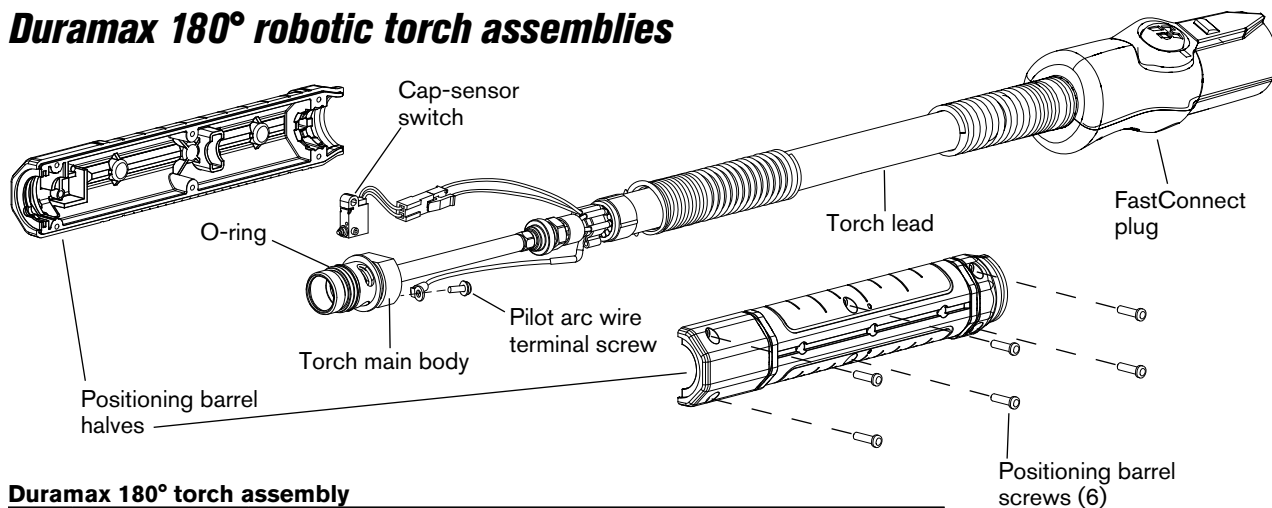
Duramax 180° mini torch assembly

| Part number | Description |
|-------------|--|
| 059481 | Duramax 180° mini machine torch assembly with 4.5 m (15') lead |
| 059482 | Duramax 180° mini machine torch assembly with 7.6 m (25') lead |
| 059483 | Duramax 180° mini machine torch assembly with 10.7 m (35') lead |
| 059484 | Duramax 180° mini machine torch assembly with 15.2 m (50') lead |
| 3. 228735 | Kit: Duramax 180°/Duramax 180° mini torch front mounting sleeve |
| 4. 228736 | Kit: Duramax 180°/Duramax 180° mini torch adapter ring (coupler) |
| 5. 228716 | Kit: Duramax 180°/Duramax 180° mini torch main body replacement |
| 6. 228720 | Kit: Cap-sensor switch replacement |
| 7. 058519 | O-ring |
| 8. 075504 | Pilot terminal screw |
| 9. 228730 | Kit: Duramax 180°/Duramax 180° mini torch lead replacement, 4.5 m (15') |
| 9. 228731 | Kit: Duramax 180°/Duramax 180° mini torch lead replacement, 7.6 m (25') |
| 9. 228732 | Kit: Duramax 180°/Duramax 180° mini torch lead replacement, 10.7 m (35') |
| 9. 228733 | Kit: Duramax 180°/Duramax 180° mini torch lead replacement, 15.2 m (50') |
| 9. 228734 | Kit: Duramax 180°/Duramax 180° mini torch lead replacement, 22.8 m (75') |
| 128650 | Remote start pendant for machine torch, 7.6 m (25') |
| 128651 | Remote start pendant for machine torch, 15.2 m (50') |
| 128652 | Remote start pendant for machine torch, 22.8 m (75') |
| 223254† | Kit: 105 A Work lead with hand clamp, 7.6 m (25') |

†Other work lead options available.



Duramax 180° robotic torch assemblies

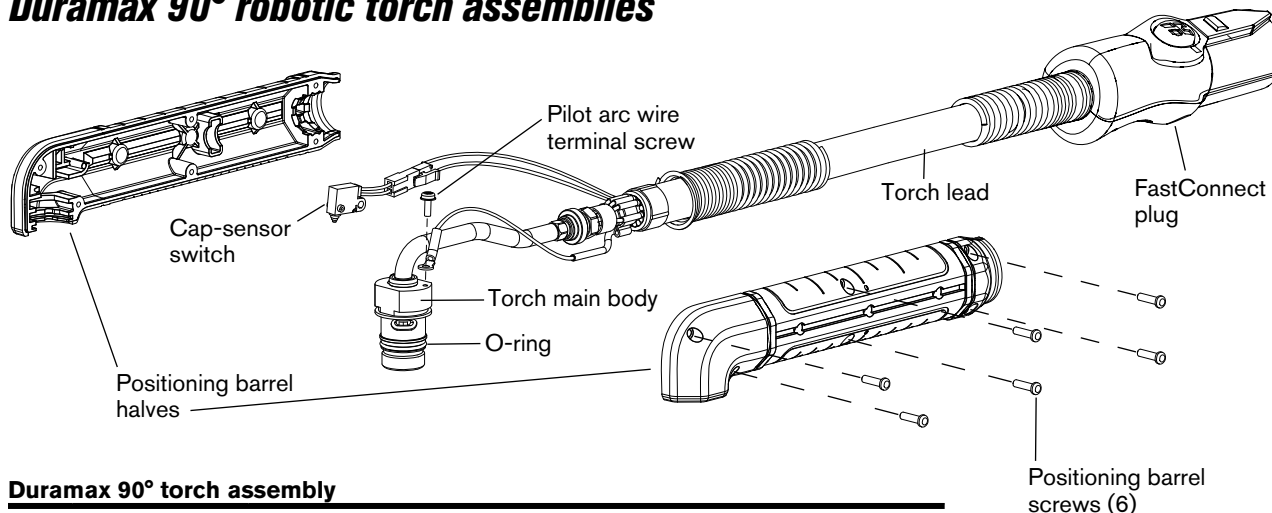


Duramax 180° torch assembly

| Part number | Description |
|-------------|--|
| 059466 | 180° Duramax robotic torch assembly with leads |
| 058519 | O-ring |
| 075504 | Pilot terminal screw |
| 075714 | #4 x 1/2 slotted TORX pan head screws |
| 228109 | Kit: Cap-sensor switch replacement |
| 228314 | Kit: FastConnect replacement |
| 228852 | Kit: Robotic torch lead replacement, 7.6 m (25') |
| 228853 | Kit: 180° Robotic torch main body replacement |
| 228856 | Kit: 180° Robotic torch positioning barrel replacement |

Note: The entire 180° robotic torch assembly with leads can be replaced, or individual component parts can be replaced.

Duramax 90° robotic torch assemblies

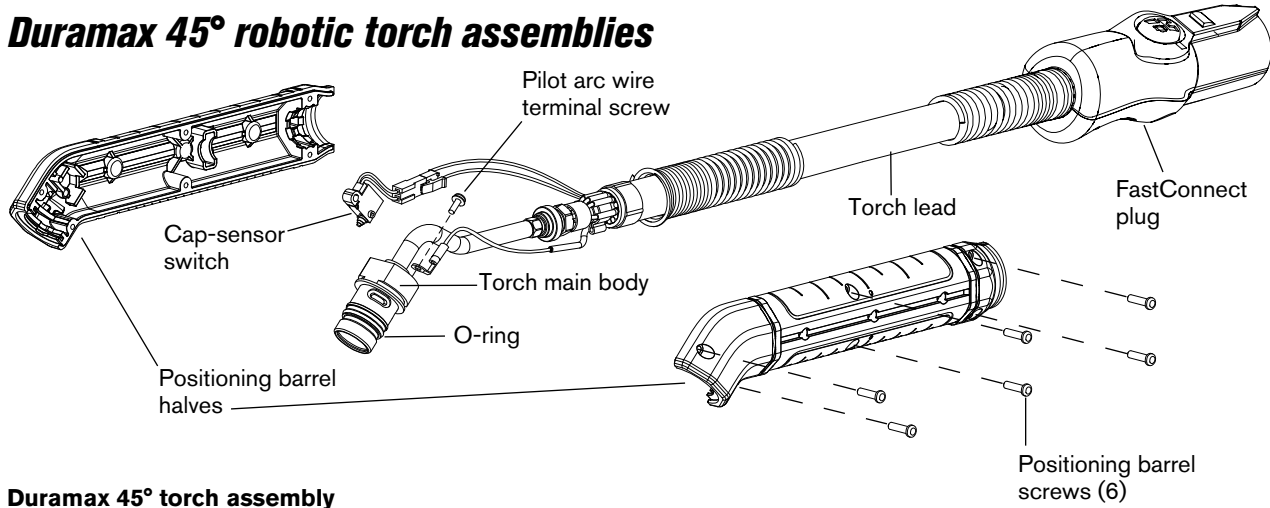


Duramax 90° torch assembly

| Part number | Description |
|-------------|---|
| 059465 | 90° Duramax robotic torch assembly with leads |
| 058519 | O-ring |
| 075504 | Pilot terminal screw |
| 075714 | #4 x 1/2 slotted TORX pan head screws |
| 228109 | Kit: Cap-sensor switch replacement |
| 228314 | Kit: FastConnect replacement |
| 228852 | Kit: Robotic torch lead replacement, 7.6 m (25') |
| 228854 | Kit: 90° Robotic torch main body replacement |
| 228857 | Kit: 90° Robotic torch positioning barrel replacement |

Note: The entire 90° robotic torch assembly with leads can be replaced, or individual component parts can be replaced.

Duramax 45° robotic torch assemblies



Duramax 45° torch assembly

| Part number | Description |
|-------------|---|
| 059464 | 45° Duramax robotic torch assembly with leads |
| 058519 | O-ring |
| 075504 | Pilot terminal screw |
| 075714 | #4 x 1/2 slotted TORX pan head screws |
| 228109 | Kit: Cap-sensor switch replacement |
| 228314 | Kit: FastConnect replacement |
| 228852 | Kit: Robotic torch lead replacement, 7.6 m (25') |
| 228855 | Kit: 45° Robotic torch main body replacement |
| 228858 | Kit: 45° Robotic torch positioning barrel replacement |

Note: The entire 45° robotic torch assembly with leads can be replaced, or individual component parts can be replaced.

Hypertherm®

All-in-one consumable kits

| | | English Kit number | French/ English Kit number | English/ French/ Italian/ Spanish Kit number | Spanish/ Portuguese Kit number | English/ Swedish/ Norwegian/ Finnish Kit number | English/ German/ Polish/Czech Kit number | English/ Chinese Kit number | Compatible torches |
|--------------------|--------------|-----------------------|----------------------------------|--|--------------------------------------|---|---|-----------------------------------|-----------------------------------|
| Powermax30 | Handheld | 850480 | 850821 | 850825 | 850820 | 850823 | 850824 | 850822 | T30v, T45v |
| Powermax45 | Handheld CSA | 850490 | 850827 | N/A | 850826 | N/A | N/A | N/A | T45v |
| | Handheld CE | 850740 | N/A | 850831 | N/A | 850829 | 850830 | 850828 | T45v |
| Powermax65 | Handheld | 850910 | 850945 | 850948 | 850946 | 850943 | 850966 | 850944 | Duramax series hand torches |
| | Mechanized | 850900 | 850975 | 850971 | 850950 | 850973 | 850972 | 850974 | Duramax series machine torches |
| Powermax85 | Handheld | 850890 | 850969 | 850965 | 850970 | 850967 | 850976 | 850959 | Duramax series hand torches |
| | Mechanized | 850880 | 850963 | 850941 | 850964 | 850961 | 850960 | 850962 | Duramax series machine torches |
| Powermax105 | Handheld | 850992 | 850993 | 850994 | 850995 | 850996 | 850998 | 850997 | Duramax series hand torches |
| | Mechanized | 850985 | 850986 | 850987 | 850988 | 850989 | 850991 | 850990 | Duramax series machine torches |

Note: CE consumable kits do not contain unshielded consumables and are for use in countries that require CE, CCC, or GOST marks.





FineCut® consumable kits

| | | English Kit number | French/ English Kit number | English/ French/ Italian/ Spanish Kit number | Spanish/ Portuguese Kit number | English/ Swedish/ Norwegian/ Finnish Kit number | English/ German/ Polish/Czech Kit number | English/ Chinese Kit number | Compatible torches |
|--|------------|-----------------------|----------------------------------|--|--------------------------------------|---|---|-----------------------------------|-----------------------------------|
| FineCut for Powermax65, Powermax85, Powermax105, Duramax series torches | Handheld | 850930 | 850957 | 850953 | 850968 | 850955 | 850954 | 850956 | Duramax series hand torches |
| | Mechanized | 850920 | 850951 | 850947 | 850952 | 850949 | 850958 | 850942 | Duramax series machine torches |

Note: CE consumable kits do not contain unshielded consumables and are for use in countries that require CE, CCC, or GOST marks.



Hypertherm®

Powermax® bulk pack consumables

| Contents of package | Bulk part number (SKU, order number) | Part type | Quantity |
|---------------------|--------------------------------------|-----------|----------|
| 120926 | 228437 | Electrode | 25 |
| 120927 | 228438 | Nozzle | 25 |
| 120929 | 228439 | Shield | 10 |
| 120930 | 228601 | Shield | 10 |
| 120931 | 228440 | Nozzle | 25 |
| 120932 | 228441 | Nozzle | 25 |
| 220011 | 228442 | Nozzle | 25 |
| 220037 | 228443 | Electrode | 25 |
| 220047 | 228600 | Shield | 10 |
| 220065 | 228444 | Shield | 10 |
| 220669 | 228844 | Electrode | 25 |
| 220671 | 228843 | Nozzle | 25 |
| 220673 | 228845 | Shield | 10 |
| 220777 | 228934 | Electrode | 25 |
| 220797 | 228762 | Nozzle | 25 |
| 220816 | 228760 | Nozzle | 25 |
| 220817 | 228763 | Shield | 10 |
| 220818 | 228764 | Shield | 10 |
| 220819 | 228759 | Nozzle | 25 |
| 220842 | 228767 | Electrode | 25 |
| 220930 | 228761 | Nozzle | 25 |
| 220941 | 228765 | Nozzle | 25 |
| 220990 | 228797 | Nozzle | 25 |
| 220991 | 228796 | Nozzle | 25 |
| 220992 | 228798 | Shield | 10 |
| 220993 | 228799 | Shield | 10 |



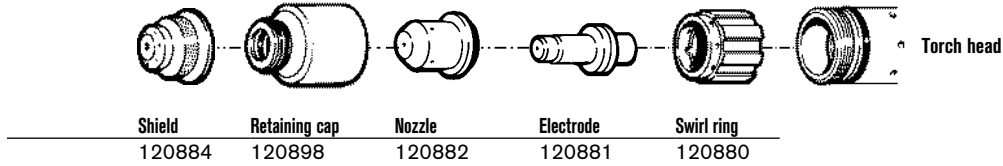
For more information, visit: www.hypertherm.com/en-us/Torches_and_consumables/Hypertherm_plasma_consumables/

Hypertherm[®] powermax190c

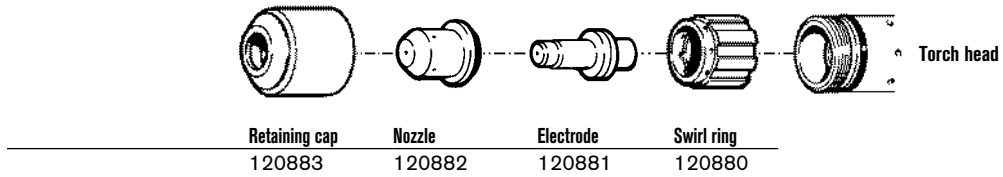
PAC105T hand torch consumables



Shielded consumables



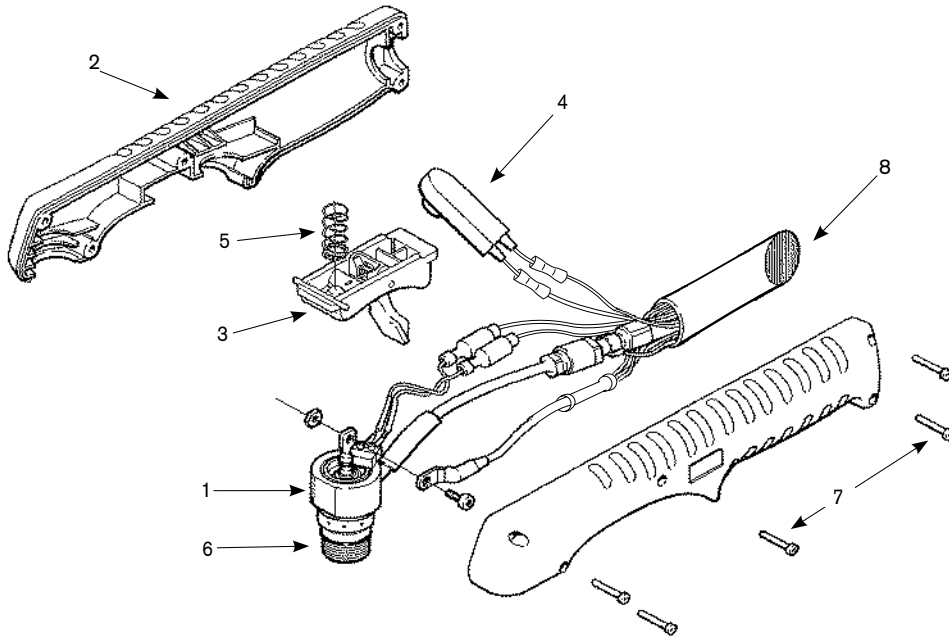
Unshielded* consumables



*In countries following CE standards, unshielded consumables may only be used in mechanized torch applications.

powermax190c

PAC105T hand torch assembly



Assembly

| | Part number | Description |
|----|-------------|---|
| | 128833* | PAC105 hand torch assembly with 6.1 m (20') leads |
| 1. | 120874 | Torch main body with switch |
| 2. | 001288 | Handle (includes both halves) |
| 3. | 002244 | Safety trigger assembly |
| 4. | 005202 | Switch, torch pushbutton |
| 5. | 027254 | Trigger spring |
| 6. | 058503 | O-ring, Viton .625 x .070 |
| 7. | 075339 | Screws #4 x 1/2" (five required) |
| 8. | 128478 | Torch lead replacement, 6.1 m (20') |
| | 060133 | Work lead with clamp 4.5 m (15') |

*Assembly includes consumables.

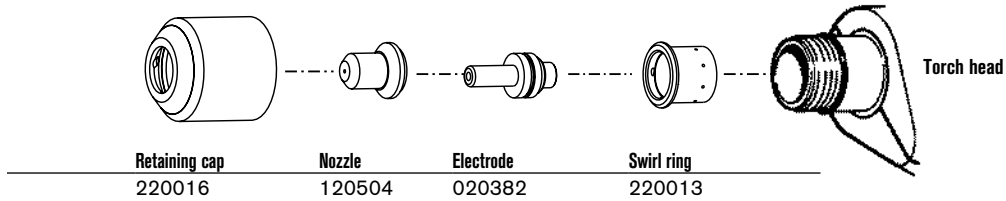


Hypertherm®

powermax350

PAC110 hand torch consumables

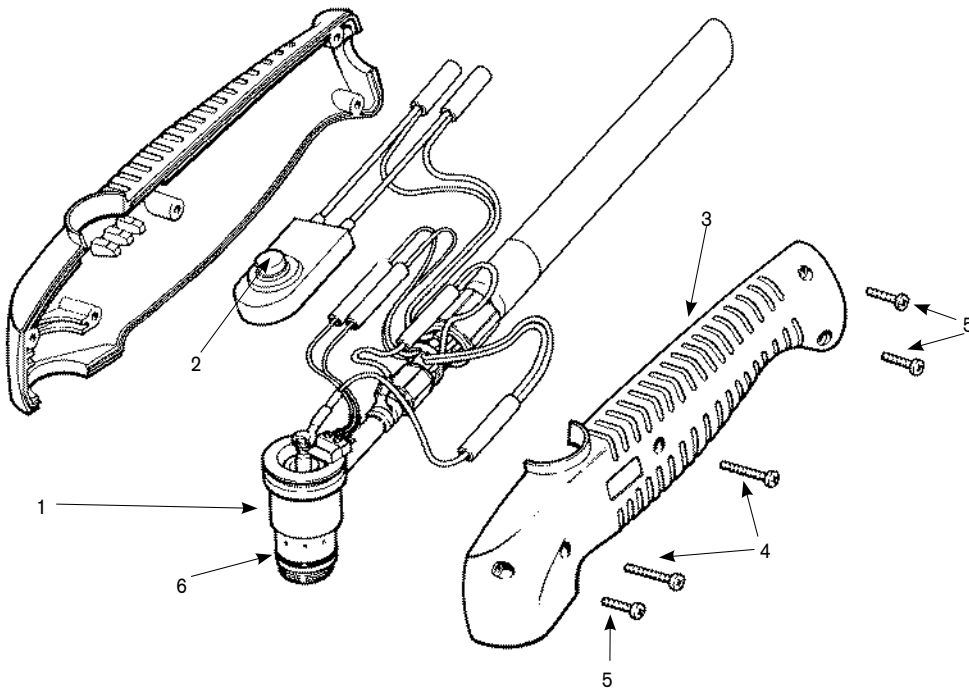
Extended* consumables



*In countries following CE standards, unshielded consumables may only be used in mechanized torch applications.

powermax350

PAC110 hand torch assembly



Assembly

| Part number | Description |
|-------------|---|
| 070057* | PAC110 hand torch assembly with 4.5 m (15') leads |
| 070058* | PAC110 hand torch assembly with 7.6 m (25') leads |
| 070779* | PAC110T hand torch replacement with 6.1 m (20') leads |
| 1. 020588 | Torch main body with switch |
| 2. 005094 | Switch, torch pushbutton |
| 3. 001192 | Handle (includes both halves) |
| 4. 075341 | Screw, #4 x 3/4" (two required) |
| 5. 075339 | Screw, #4 x 1/2" (three required) |
| 6. 044016 | O-ring, Buna - N 90 Duro |
| 029241 | Torch leads, 4.5 m (15') |
| 029257 | Torch leads, 7.6 m (25') |
| 060169 | Work lead with clamp, 4.5 m (15') |

*Assembly includes consumables.



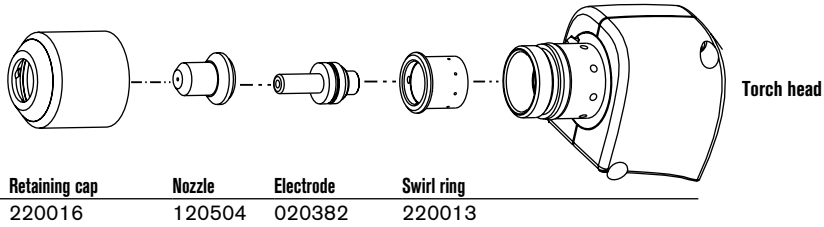
Hypertherm®

powermax380

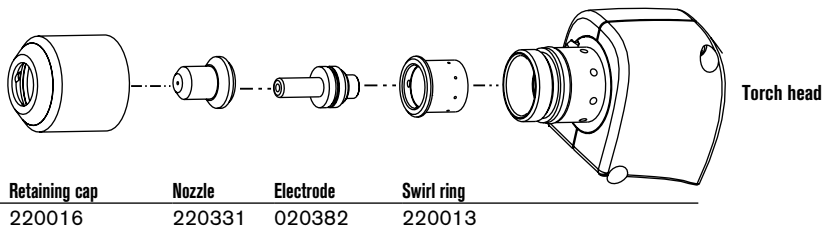
PAC110T hand torch consumables



Extended* consumables



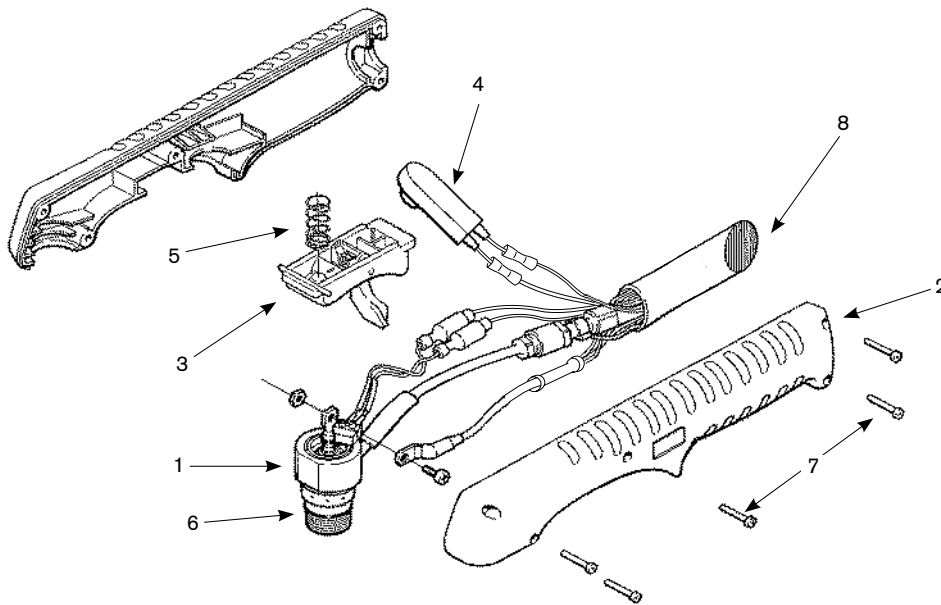
FineCut consumables



*In countries following CE standards, unshielded consumables may only be used in mechanized torch applications.

powermax380

PAC110T hand torch assembly



Assembly

| | Part number | Description |
|----|-------------|--|
| | 070071* | PAC110T hand torch assembly with 6.1 m (20') leads |
| 1. | 120976 | Torch main body with switch |
| 2. | 001288 | Handle (includes both halves) |
| 3. | 002244 | Safety trigger assembly |
| 4. | 005202 | Switch, torch pushbutton |
| 5. | 027254 | Trigger spring |
| 6. | 058503 | O-ring, Viton .625 x .070 |
| 7. | 075339 | Screws #4 x 1/2", (five required) |
| 8. | 060208 | Torch lead replacement, 6.1 m (20') |
| | 060169 | Work lead with clamp, 4.5 m (15') |

*Assembly includes consumables.



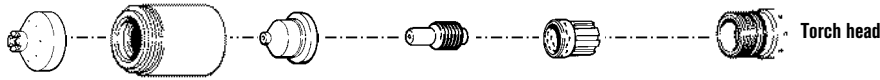
Hypertherm®

powermax600

PAC123T hand torch consumables

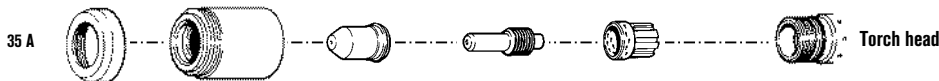


Shielded consumables



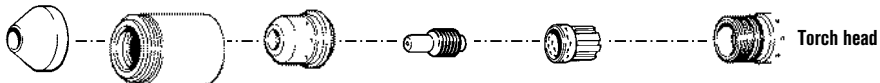
| Shield | Retaining cap | Nozzle | Electrode | Swirl ring |
|--------|---------------|--------|-----------|------------|
| 120828 | 120600 | 120826 | 120573 | 120576 |

Unshielded* consumables



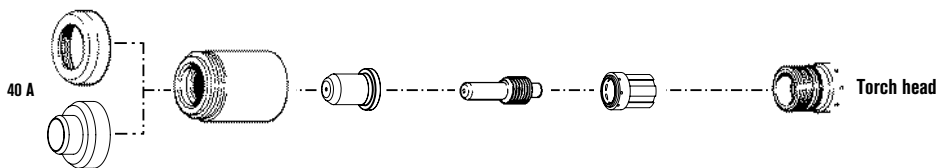
| Deflector | Retaining cap | Nozzle | Electrode | Swirl ring |
|-------------|---------------|--------|-----------|------------|
| 35 A 120303 | 120600 | 120606 | 120574 | 120576 |

Gouging consumables



| Shield | Retaining cap | Nozzle | Electrode | Swirl ring |
|--------|---------------|--------|-----------|------------|
| 120608 | 120600 | 120831 | 120573 | 120576 |

FineCut consumables



| Deflector | Retaining cap | Nozzle | Electrode | Swirl ring |
|------------------|---------------|--------|-----------|------------|
| 40 A 120303 | 120600 | 220330 | 120574 | 220332 |
| 40 A CE** 220326 | 120600 | 220330 | 120574 | 220332 |

*In countries following CE standards, unshielded consumables may only be used in mechanized torch applications.

**CE shield for use in countries requiring CE, CCC, GOST marks.

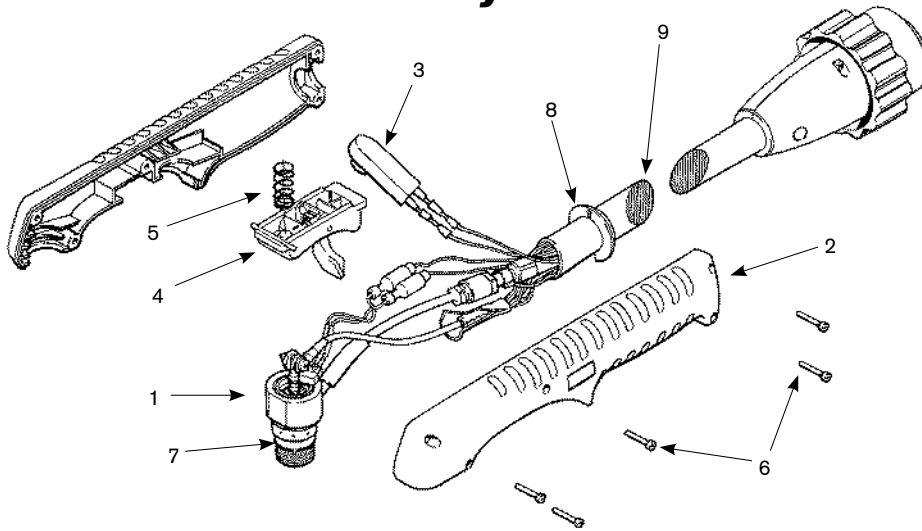
Note: The nozzles and swirl rings shown must be used as a set.

For improved performance retrofit with a Duramax HRT retrofit torch (see page 89).

New CopperPlus longer life electrode available for Duramax torches. Please refer to the back cover of the catalog for additional information. CopperPlus part number 220777.

powermax600

PAC123T hand torch assembly



Note: PAC torches for the Powermax600, Powermax800, Powermax900, MAX42 and MAX43 will all be obsolete as of January 1st, 2013. Original consumables will remain available for these systems, but only a Duramax retrofit torch assembly will be available. Duramax torches require the use of new consumables. See page 89 or Appendix page 101 for more details

Assembly

| Part number | Description |
|-------------|------------------------------------|
| 2. 001288 | Handle (includes both halves) |
| 3. 128377 | Kit: Switch repair |
| 4. 002244 | Safety trigger assembly |
| 5. 027254 | Trigger spring |
| 6. 075339 | Screw, #4 x 1/2" (five required) |
| 7. 044016 | O-ring, Buna – N 90 Duro |
| 8. 004764 | Retaining ring, Gutcha |
| 123375 | Work lead with clamp, 4.5 m (15') |
| 128379 | Work lead with clamp, 15.2 m (50') |



For improved performance retrofit with a Duramax HRT retrofit torch (see page 89).

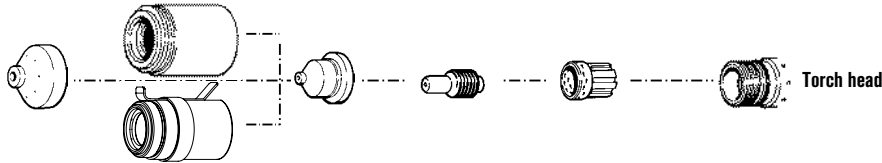
Hypertherm®

powermax600

PAC123M machine torch consumables

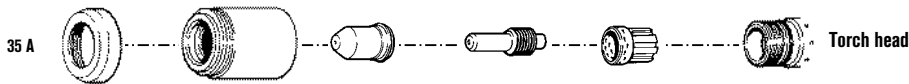


Shielded consumables



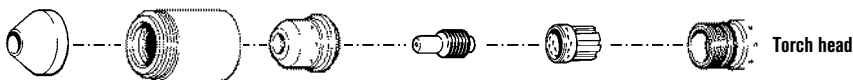
| | Shield | Retaining cap | Nozzle | Electrode | Swirl ring |
|--------------|--------|---------------|--------|-----------|------------|
| | 120827 | 120600 | 120826 | 120573 | 120576 |
| Ohmic | | 120964 | | | |

Unshielded consumables



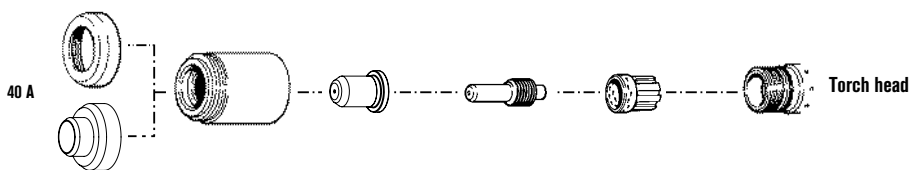
| | Deflector | Retaining cap | Nozzle | Electrode | Swirl ring |
|-------------|-----------|---------------|--------|-----------|------------|
| 35 A | 120303 | 120600 | 120606 | 120574 | 120576 |

Gouging consumables



| | Shield | Retaining cap | Nozzle | Electrode | Swirl ring |
|--|--------|---------------|--------|-----------|------------|
| | 120608 | 120600 | 120831 | 120573 | 120576 |

FineCut consumables



| | Deflector | Retaining cap | Nozzle | Electrode | Swirl ring |
|----------------|-----------|---------------|--------|-----------|------------|
| 40 A | 120303 | 120600 | 220330 | 120574 | 120576 |
| 40 A CE | 220326 | 120600 | 220330 | 120574 | 120576 |

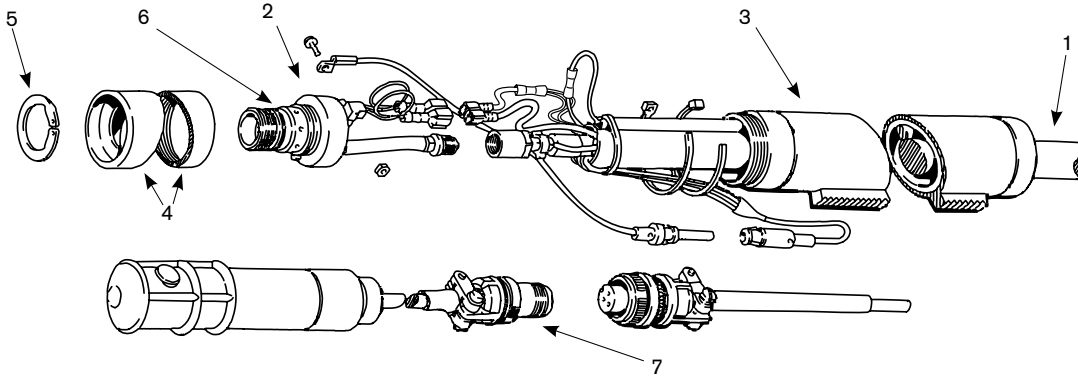
Note: The nozzles and swirl rings shown must be used as a set.

For improved performance retrofit with a Duramax MRT retrofit torch (see page 91).

New CopperPlus longer life electrode available for Duramax torches. Please refer to the back cover of the catalog for additional information. CopperPlus part number 220777.

powermax600

PAC123M torch assembly



Note: PAC torches for the Powermax600, Powermax800, Powermax900, MAX42 and MAX43 will all be obsolete as of January 1st, 2013. Original consumables will remain available for these systems, but only a Duramax retrofit torch assembly will be available. Duramax torches require the use of new consumables. See page 91 or Appendix page 101 for more details.

Assembly

| | Part number | Description |
|----|-------------|------------------------------------|
| 3. | 020620 | Torch positioning sleeve |
| 4. | 120613 | Torch sleeve |
| 5. | 027599 | Snap ring |
| 6. | 044016 | O-ring, Buna – N 90 Duro |
| 7. | 028714 | On/Off pendant, 7.6 m (25') |
| 7. | 128061 | On/Off pendant, 15.2 m (50') |
| 7. | 128062 | On/Off pendant, 22.8 m (75') |
| | 123375 | Work lead with clamp, 4.5 m (15') |
| | 128379 | Work lead with clamp, 15.2 m (50') |



For improved performance retrofit with a Duramax MRT retrofit torch (see page 91).

Hypertherm®

powermax800

PAC121TS/125T hand torch consumables

Shielded consumables



40A, 50 A

| | Shield | Retaining cap | Nozzle | Electrode | Swirl ring |
|------|--------|---------------|--------|-----------|------------|
| 40 A | 120601 | 120600 | 120438 | 120573 | 020361 |
| 50 A | 120601 | 120600 | 120282 | 120573 | 020361 |

Unshielded* consumables

50 A

| | Deflector | Retaining cap | Nozzle | Electrode | Swirl ring |
|------|-----------|---------------|--------|-----------|------------|
| 50 A | 120303 | 120600 | 020395 | 120573 | 020361 |

Extended consumables

50 A

| | Deflector | Retaining cap | Nozzle | Electrode | Swirl ring |
|-------------|-----------|---------------|--------|-----------|------------|
| 50 A | 120303 | 120600 | 120304 | 120574 | 020361 |
| Pipe saddle | 120303 | 120600 | 120305 | 120574 | 020361 |

Gouging consumables

50 A

| | Shield | Retaining cap | Nozzle | Electrode | Swirl ring |
|------|--------|---------------|--------|-----------|------------|
| 50 A | 120608 | 120600 | 120281 | 120573 | 020361 |

FineCut consumables

40 A

| | Deflector | Retaining cap | Nozzle | Electrode | Swirl ring |
|-----------|-----------|---------------|--------|-----------|------------|
| 40 A | 120303 | 120600 | 220330 | 120574 | 220332 |
| 40 A CE** | 220326 | 120600 | 220330 | 120574 | 220332 |

*In countries following CE standards, unshielded consumables may only be used in mechanized torch applications.

**CE shield for use in countries requiring CE, CCC, GOST marks.

Notes: The nozzles and swirl rings shown must be used as a set.

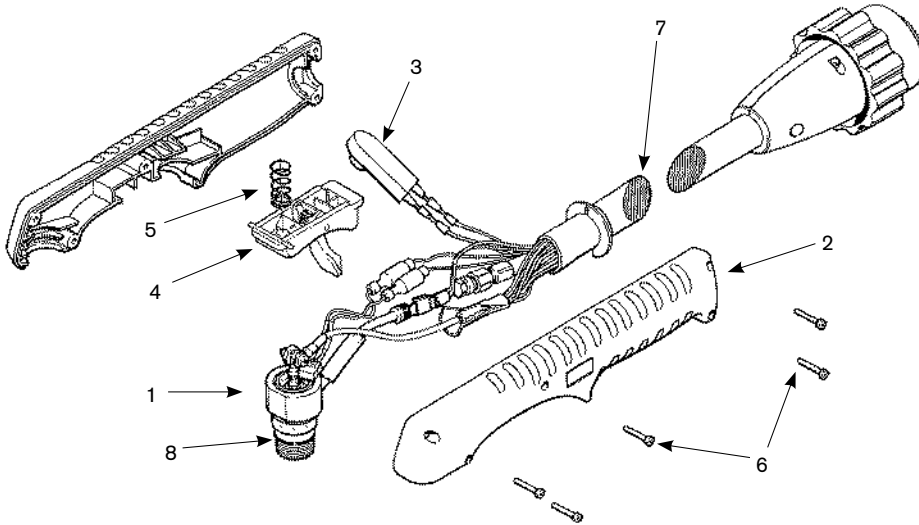
A label located on the torch handle indicates whether the torch is a PAC121TS or PAC125T.

For improved performance retrofit with a Duramax HRT retrofit torch (see page 89).

New CopperPlus longer life electrode available for Duramax torches. Please refer to the back cover of the catalog for additional information. CopperPlus part number 220777.

powermax800

PAC121TS/125T hand torch assembly



Note: PAC torches for the Powermax600, Powermax800, Powermax900, MAX42 and MAX43 will all be obsolete as of January 1st, 2013. Original consumables will remain available for these systems, but only a Duramax retrofit torch assembly will be available. Duramax torches require the use of new consumables. See page 89 or Appendix page 102 for more details.

Assembly

| | Part number | Description |
|----|-------------|------------------------------------|
| 2. | 001288 | Handle (includes both halves) |
| 3. | 128284 | Switch, torch pushbutton |
| 4. | 002244 | Safety trigger assembly |
| 5. | 027254 | Trigger spring |
| 6. | 075340 | Screw, #4 x 5/8" (five required) |
| 8. | 044016 | O-ring, Buna – N 90 Duro |
| | 023922 | Work lead with clamp, 6.1 m (20') |
| | 028907 | Work lead with clamp, 15.2 m (50') |



For improved performance retrofit with a Duramax HRT retrofit torch (see page 89).

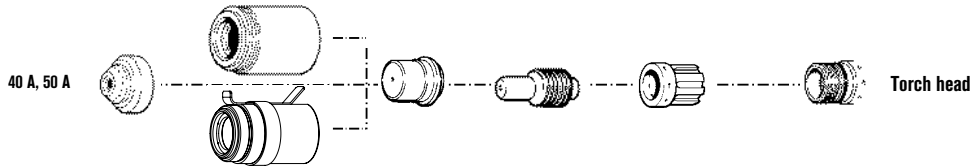
Hypertherm®

powermax800

PAC121M/125M machine torch consumables

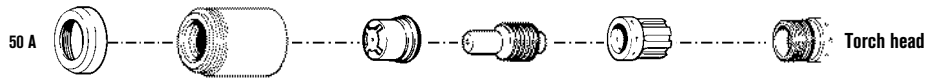


Shielded consumables



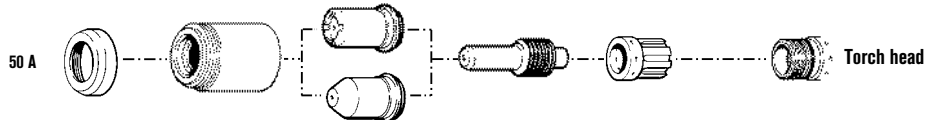
| | Shield | Retaining cap | Nozzle | Electrode | Swirl ring |
|-------|--------|---------------|--------|-----------|------------|
| 40 A | 120602 | 120600 | 120438 | 120573 | 020361 |
| 50 A | 120602 | 120600 | 120282 | 120573 | 020361 |
| Ohmic | | 120964 | | | |

Unshielded consumables



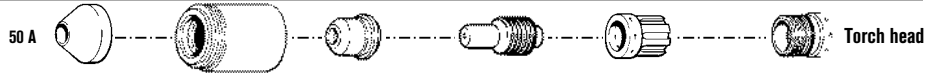
| | Deflector | Retaining cap | Nozzle | Electrode | Swirl ring |
|------|-----------|---------------|--------|-----------|------------|
| 50 A | 120303 | 120600 | 020395 | 120573 | 020361 |

Extended consumables



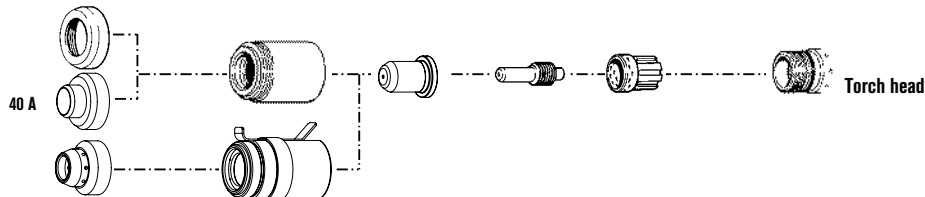
| | Deflector | Retaining cap | Nozzle | Electrode | Swirl ring |
|-------------|-----------|---------------|--------|-----------|------------|
| 50 A | 120303 | 120600 | 120304 | 120574 | 020361 |
| Pipe saddle | 120303 | 120600 | 120305 | 120574 | 020361 |

Gouging consumables



| | Shield | Retaining cap | Nozzle | Electrode | Swirl ring |
|------|--------|---------------|--------|-----------|------------|
| 50 A | 120608 | 120600 | 120281 | 120573 | 020361 |

FineCut consumables



| | Shield / Deflector | Retaining cap | Nozzle | Electrode | Swirl ring |
|---------|--------------------|---------------|--------|-----------|------------|
| 40 A | 120303 | 120600 | 220330 | 120574 | 120576 |
| 40 A CE | 220326 | 120600 | 220330 | 120574 | 120576 |
| Ohmic | 220403 | 120964 | | | |

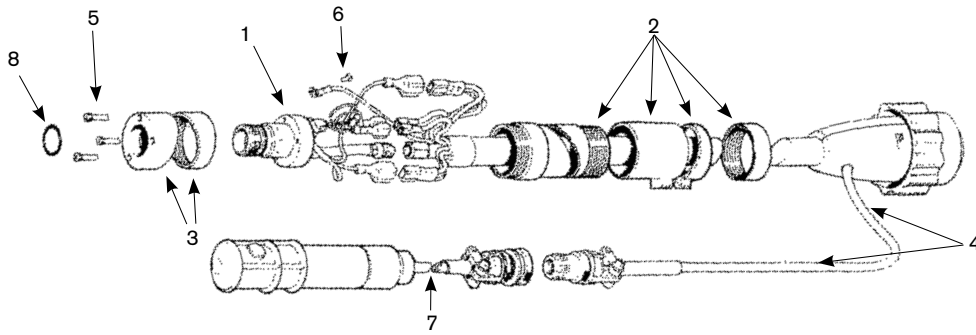
Notes: The nozzles and swirl rings shown must be used as a set.

A label located on the torch handle indicates whether the torch is a PAC121TS or PAC125T.

For improved performance retrofit with a Duramax MRT retrofit torch (see page 91).

New CopperPlus longer life electrode available for Duramax torches. Please refer to the back cover of the catalog for additional information. CopperPlus part number 220777.

PAC121M/PAC125M machine torch assembly



Note: PAC torches for the Powermax600, Powermax800, Powermax900, MAX42 and MAX43 will all be obsolete as of January 1st, 2013. Original consumables will remain available for these systems, but only a Duramax retrofit torch assembly will be available. Duramax torches require the use of new consumables. See page 91 or Appendix page 102 for more details.

Assembly – PAC121M machine torch assembly

| Part number | Description |
|-------------|---|
| 2. 020620 | Torch position sleeve |
| 3. 020559 | Torch sleeve |
| 5. 075321 | Screw, 4-40 x 1/2, Hex, SS (three required) |
| 6. 075322 | Screw, 4-40 x 1/4, SL, SZ |
| 7. 028461 | On/Off pendant, 7.6 m (25') |
| 7. 028462 | On/Off pendant, 15.2 m (50') |
| 7. 028463 | On/Off pendant, 22.8 m (75') |
| 8. 044016 | O-ring: Buna 90 Duro .614 x .070 |
| 023922 | Work lead with clamp, 6.1 m (20') |
| 028907 | Work lead with clamp, 15.2 m (50') |

Assembly – PAC125M machine torch assembly

| Part number | Description |
|-------------|---|
| 2. 020620 | Torch position sleeve |
| 3. 120613 | Torch sleeve |
| 5. 075321 | Screw, 4-40 x 1/2, Hex, SS (three required) |
| 6. 075322 | Screw, 4-40 x 1/4, SL, SZ |
| 7. 028714 | On/Off pendant, 7.6 m (25') |
| 7. 128061 | On/Off pendant, 15.2 m (50') |
| 7. 128062 | On/Off pendant, 22.8 m (75') |
| 8. 044016 | O-ring: Buna 90 Duro .614 x .070 |
| 023922 | Work lead with clamp, 6.1 m (20') |
| 028907 | Work lead with clamp, 15.2 m (50') |



For improved performance retrofit with a Duramax MRT retrofit torch (see page 91).

Hypertherm®

powermax900

PAC125T hand torch consumables

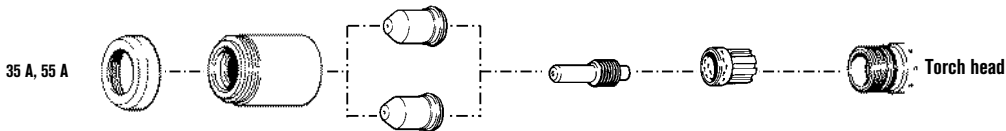


Shielded consumables



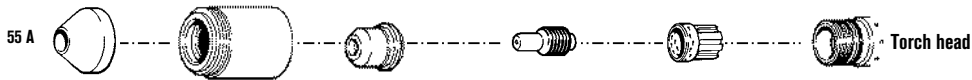
| | Shield | Retaining cap | Nozzle | Electrode | Swirl ring |
|------|--------|---------------|--------|-----------|------------|
| 55 A | 120601 | 120600 | 120577 | 120573 | 120576 |

Unshielded* consumables



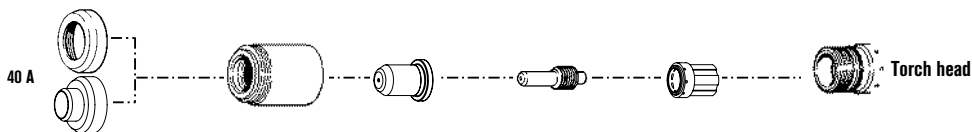
| | Deflector | Retaining cap | Nozzle | Electrode | Swirl ring |
|------------------|-----------|---------------|--------|-----------|------------|
| 35 A Pipe saddle | 120303 | 120600 | 120606 | 120574 | 120576 |
| 55 A Pipe saddle | 120303 | 120600 | 120578 | 120574 | 120576 |

Gouging consumables



| | Shield | Retaining cap | Nozzle | Electrode | Swirl ring |
|------|--------|---------------|--------|-----------|------------|
| 55 A | 120608 | 120600 | 120607 | 120573 | 120576 |

FineCut consumables



| | Deflector | Retaining cap | Nozzle | Electrode | Swirl ring |
|-----------|-----------|---------------|--------|-----------|------------|
| 40 A | 120303 | 120600 | 220330 | 120574 | 220332 |
| 40 A CE** | 220326 | 120600 | 220330 | 120574 | 220332 |

*In countries following CE standards, unshielded consumables may only be used in mechanized torch applications.

**CE shield for use in countries requiring CE, CCC, GOST marks.

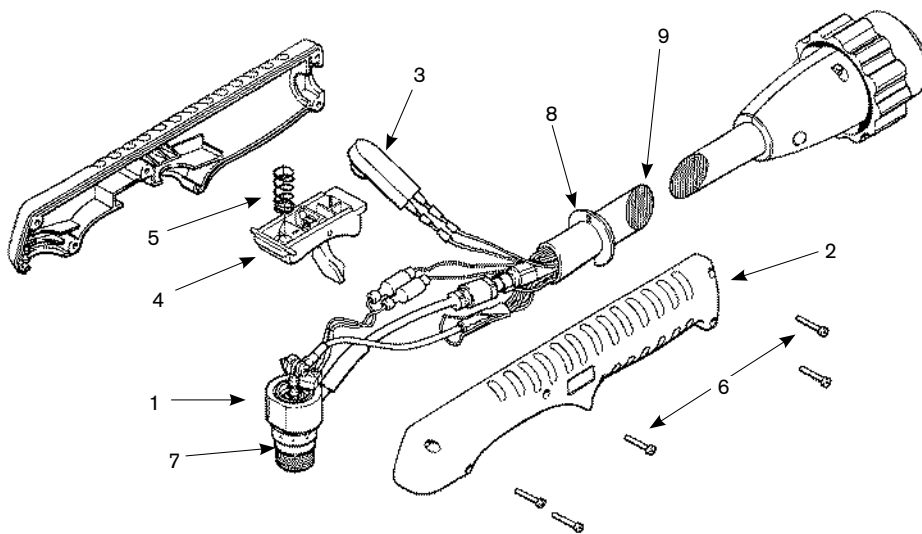
Note: The nozzles and swirl rings shown must be used as a set.

For improved performance retrofit with a Duramax HRT retrofit torch (see page 89).

New CopperPlus longer life electrode available for Duramax torches. Please refer to the back cover of the catalog for additional information. CopperPlus part number 220777.

powermax900

PAC125T hand torch assembly



Note: PAC torches for the Powermax600, Powermax800, Powermax900, MAX42 and MAX43 will all be obsolete as of January 1st, 2013. Original consumables will remain available for these systems, but only a Duramax retrofit torch assembly will be available. Duramax torches require the use of new consumables. See page 89 or Appendix page 102 for more details.

Assembly

| Part number | Description |
|-------------|---|
| 2. | 001288 Handle (includes both halves) |
| 3. | 128284 Kit: Switch repair |
| 4. | 002244 Safety trigger assembly |
| 5. | 027254 Trigger spring |
| 6. | 075339 Screw, #4 x 1/2" (five required) |
| 7. | 044016 O-ring, Buna – N 90 Duro |
| 8. | 004764 Ring, Gutcha |
| | 023922 Work lead with clamp, 6.1 m (20') |
| | 028907 Work lead with clamp, 15.2 m (50') |



For improved performance retrofit with a Duramax HRT retrofit torch (see page 89).

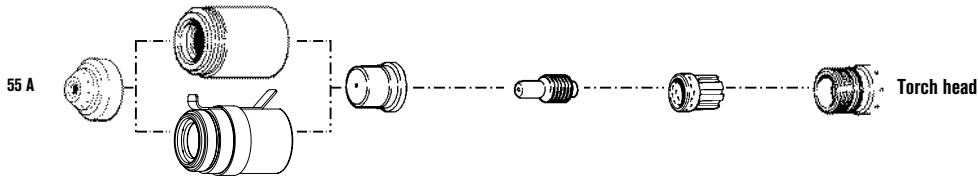
Hypertherm®

powermax900

PAC125M machine torch consumables

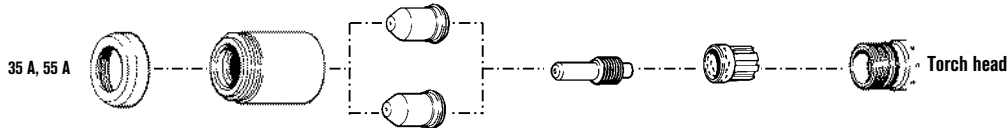


Shielded consumables



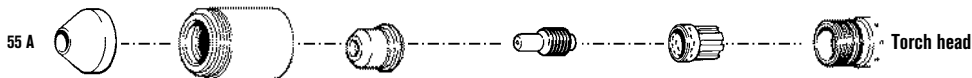
| | Shield | Retaining cap | Nozzle | Electrode | Swirl ring |
|-------|--------|---------------|--------|-----------|------------|
| 55 A | 120602 | 120600 | 120577 | 120573 | 120576 |
| Ohmic | | 120964 | | | |

Unshielded consumables



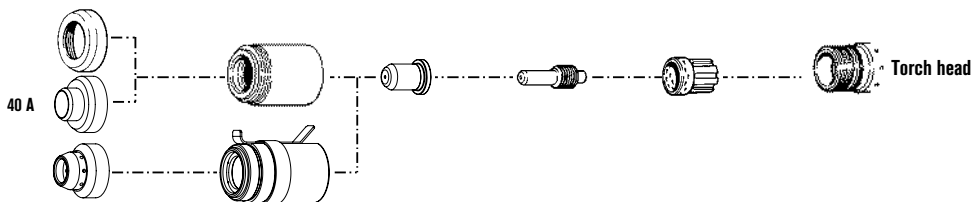
| | Deflector | Retaining cap | Nozzle | Electrode | Swirl ring |
|------------------|-----------|---------------|--------|-----------|------------|
| 35 A Pipe saddle | 120303 | 120600 | 120606 | 120574 | 120576 |
| 55 A Pipe saddle | 120303 | 120600 | 120578 | 120574 | 120576 |

Gouging consumables



| | Shield | Retaining cap | Nozzle | Electrode | Swirl ring |
|------|--------|---------------|--------|-----------|------------|
| 55 A | 120608 | 120600 | 120607 | 120573 | 120576 |

FineCut consumables



| | Shield / Deflector | Retaining cap | Nozzle | Electrode | Swirl ring |
|---------|--------------------|---------------|--------|-----------|------------|
| 40 A | 120303 | 120600 | 220330 | 120574 | 120576 |
| 40 A CE | 220326 | 120600 | 220330 | 120574 | 120576 |
| Ohmic | 220403 | 120964 | | | |

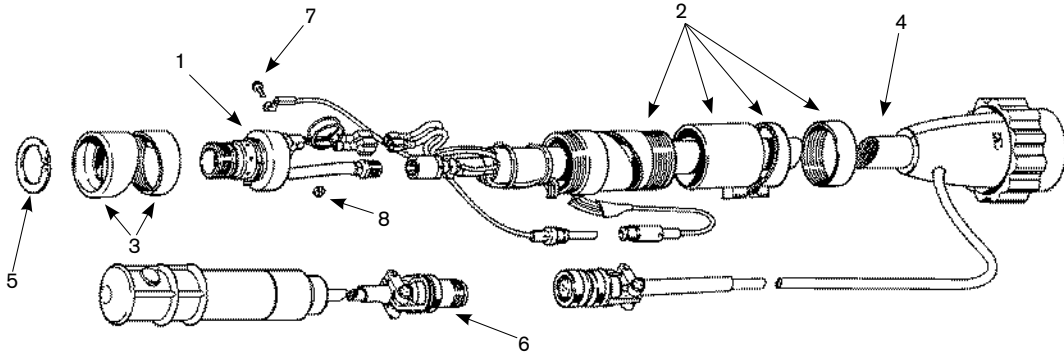
Note: The nozzles and swirl rings shown must be used as a set.

For improved performance retrofit with a Duramax MRT retrofit torch (see page 91).

New CopperPlus longer life electrode available for Duramax torches. Please refer to the back cover of the catalog for additional information. CopperPlus part number 220777.

powermax900

PAC125M machine torch assembly



Note: PAC torches for the Powermax600, Powermax800, Powermax900, MAX42 and MAX43 will all be obsolete as of January 1st, 2013. Original consumables will remain available for these systems, but only a Duramax retrofit torch assembly will be available. Duramax torches require the use of new consumables. See page 91 or Appendix page 102 for more details.

Assembly

| | Part number | Description |
|----|-------------|------------------------------------|
| 2. | 020620 | Torch positioning sleeve |
| 3. | 120613 | Torch sleeve |
| 5. | 027599 | Snap ring |
| 6. | 028714 | On/Off pendant, 7.6 m (25') |
| 6. | 128061 | On/Off pendant, 15.2 m (50') |
| 6. | 128062 | On/Off pendant, 22.8 m (75') |
| 7. | 075504 | Screw, 4-40 x 5/16" |
| 8. | 075503 | Locknut, 4-40 |
| | 023922 | Work lead with clamp, 6.1 m (20') |
| | 028907 | Work lead with clamp, 15.2 m (50') |



For improved performance retrofit with a Duramax MRT retrofit torch (see page 91).

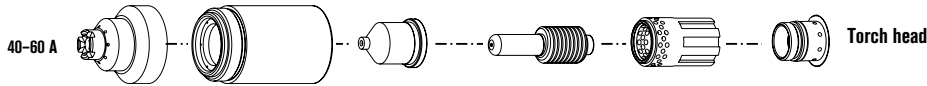
Hypertherm®

powermax1000 G3 SERIES™

T60 hand torch consumables

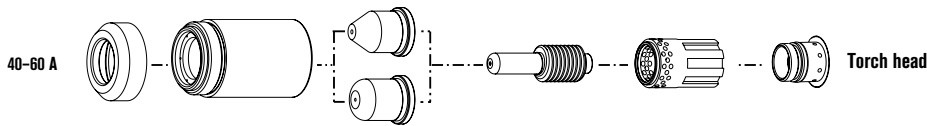


Shielded consumables



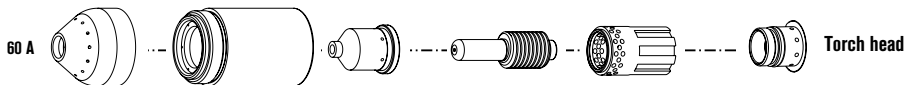
| | Shield | Retaining cap | Nozzle | Electrode | Swirl ring |
|------|--------|---------------|---------|-----------|------------|
| 40 A | 120929 | 120928 | 120932* | 120926* | 120925 |
| 60 A | 120929 | 120928 | 120931* | 120926* | 120925 |

Unshielded** consumables



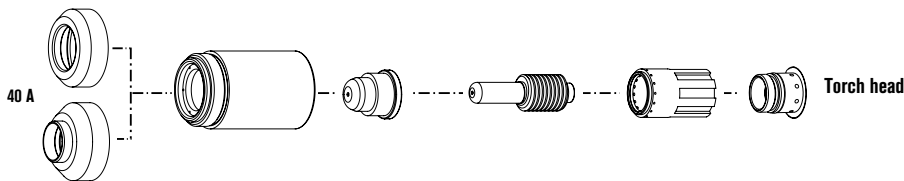
| | Deflector | Retaining cap | Nozzle | Electrode | Swirl ring |
|------|-----------|---------------|--------|-----------|------------|
| 40 A | 120979 | 120928 | 220006 | 120926* | 120925 |
| 60 A | 120979 | 120928 | 220007 | 120926* | 120925 |

Gouging consumables



| | Shield | Retaining cap | Nozzle | Electrode | Swirl ring |
|------|--------|---------------|--------|-----------|------------|
| 60 A | 120977 | 120928 | 220059 | 120926* | 120925 |

FineCut consumables



| | Deflector | Retaining cap | Nozzle | Electrode | Swirl ring |
|------------|-----------|---------------|--------|-----------|------------|
| 40 A | 120979 | 120928 | 220329 | 120926* | 220327 |
| 40 A CE*** | 220325 | 120928 | 220329 | 120926* | 220327 |

**In countries following CE standards, unshielded consumables may only be used in mechanized torch applications.

***CE shield for use in countries requiring CE, CCC, GOST marks.

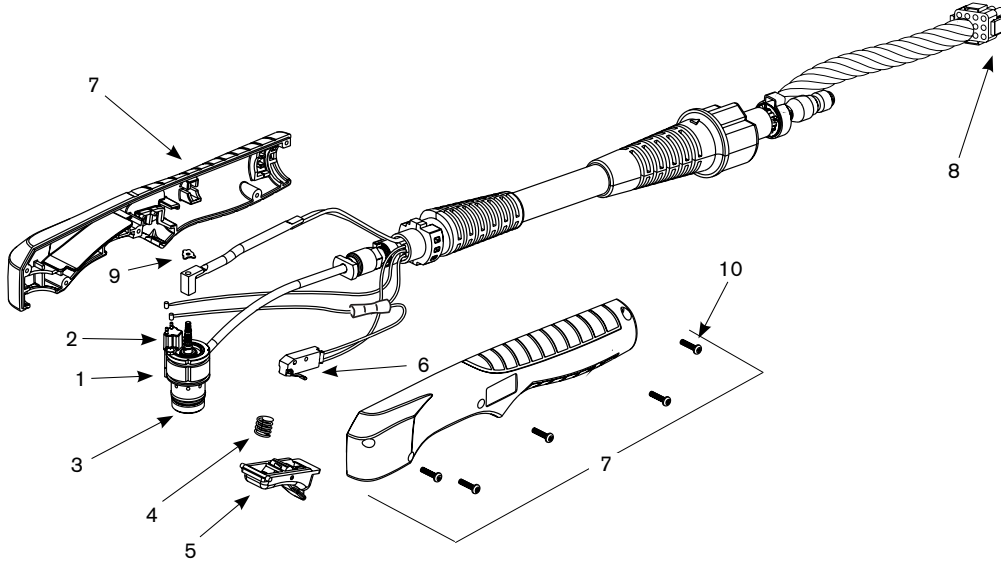
For improved performance retrofit with a Duramax HRT retrofit torch (see page 85).

*Consumables available in a bulk package option, see page 27 for bulk package information.

New CopperPlus longer life electrode available for Duramax torches. Please refer to the back cover of the catalog for additional information. CopperPlus part number 220777.

powermax1000

T60 hand torch assembly



Note: T60 hand torches for the Powermax1000 have been obsoleted. Original consumables will remain available for this system. Available torch options are the Duramax retrofit assembly or T100 torch assembly. See Appendix pages 102 and 103 for more details.

Assembly

| Part number | Description |
|-------------|--|
| 1. 128564 | Kit: T60/T80 torch main body replacement (does not include cap sensor) |
| 2. 128639 | Kit: Cap sensor switch replacement |
| 075571 | Cap-off sensor screws |
| 3. 128521 | Kit: T60/T80, T60M/T80M torch head repair (does not include head) |
| 4. 027254 | Trigger spring |
| 5. 002244 | Safety trigger assembly |
| 6. 128642 | Kit: T60/T80 start switch replacement |
| 7. 128644 | Kit: T60/T80 torch handle replacement |
| 8. 128638 | Kit: ETR connector repair (regional repair centers only) |
| 9. 027889 | Retaining clip |
| 123645 | Work lead with clamp, 6.1 m (20') |
| 128717 | Work lead with clamp, 15.2 m (50') |
| 10. 075714 | Torch handle replacement screws |

*Assembly does not includes consumables.



For improved performance retrofit with a Duramax HRT retrofit torch (see page 85).

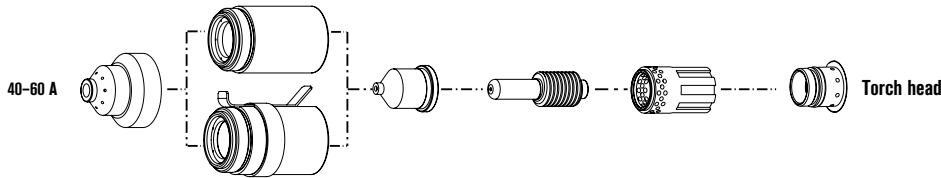
Hypertherm®

powermax1000 G3 SERIES™

T60M machine torch consumables

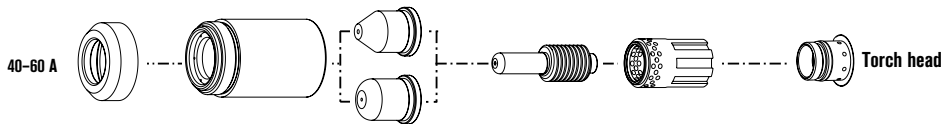


Shielded consumables



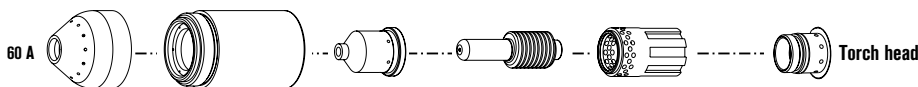
| | Shield | Retaining cap | Nozzle | Electrode | Swirl ring |
|-------|--------|---------------|---------|-----------|------------|
| 40 A | 120930 | 120928 | 120932* | 120926* | 120925 |
| 60 A | 120930 | 120928 | 120931* | 120926* | 120925 |
| Ohmic | | 220061 | | | |

Unshielded consumables



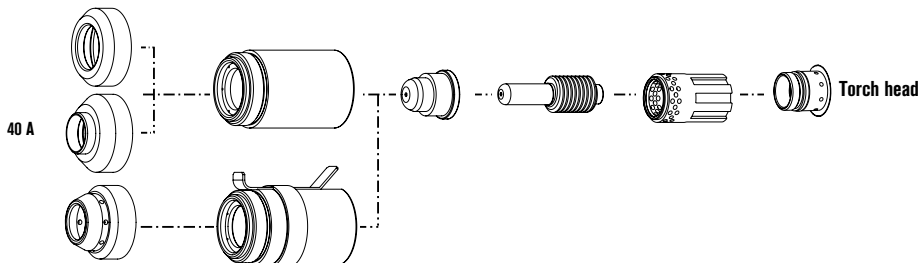
| | Deflector | Retaining cap | Nozzle | Electrode | Swirl ring |
|------|-----------|---------------|--------|-----------|------------|
| 40 A | 120979 | 120928 | 220006 | 120926* | 120925 |
| 60 A | 120979 | 120928 | 220007 | 120926* | 120925 |

Gouging consumables



| | Shield | Retaining cap | Nozzle | Electrode | Swirl ring |
|------|--------|---------------|--------|-----------|------------|
| 60 A | 120977 | 120928 | 220059 | 120926* | 120925 |

FineCut consumables



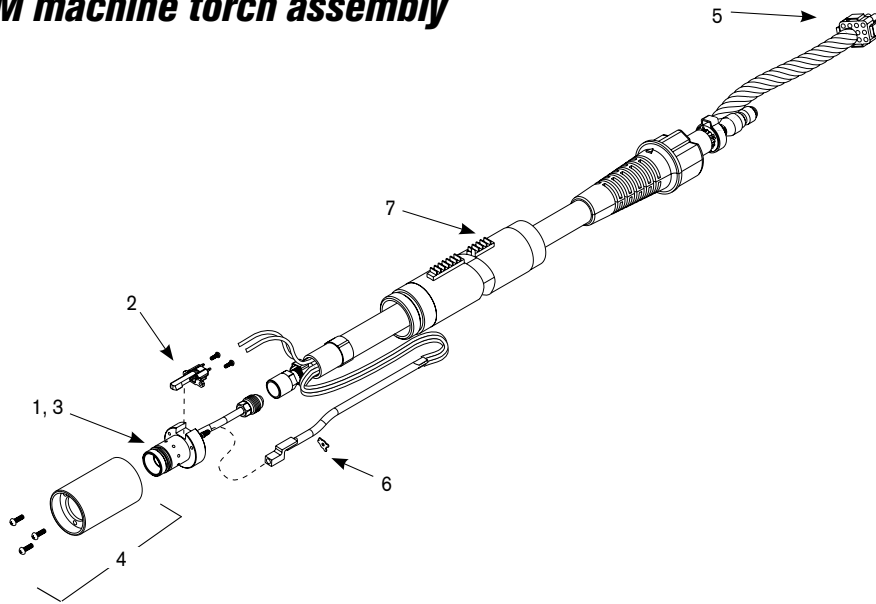
| | Shield / Deflector | Retaining cap | Nozzle | Electrode | Swirl ring |
|---------|--------------------|---------------|--------|-----------|------------|
| 40 A | 120979 | 120928 | 220329 | 120926* | 120925 |
| 40 A CE | 220325 | 120928 | 220329 | 120926* | 120925 |
| Ohmic | 220404 | 220061 | | | |

For improved performance retrofit with a Duramax MRT retrofit torch (see page 87).

New CopperPlus longer life electrode available for Duramax torches. Please refer to the back cover of the catalog for additional information. CopperPlus part number 220777.

powermax1000[®]

T60M machine torch assembly



Note: T60M torches for the Powermax1000 have been obsoleted. Original consumables will remain available for this system. Available torch options are the Duramax retrofit assembly or T100 torch assembly. See Appendix pages 102 and 103 for more details.

Assembly

| | Part number | Description |
|----|-------------|--|
| | 128645 | Kit: Torch mounting |
| 1. | 128640 | Kit: T60M/T80M torch main body replacement (does not include cap sensor) |
| 2. | 128639 | Kit: Cap sensor switch replacement |
| | 075571 | Cap-off sensor screws |
| 3. | 128521 | Kit: T60/T80, T60M/T80M torch head repair (does not include head) |
| 4. | 128643 | Kit: T60M/T80M mounting sleeve replacement |
| 5. | 128638 | Kit: ETR connector repair (regional repair centers only) |
| 6. | 027889 | Retaining clip |
| 7. | 128710 | Kit: T60/T80M positioning sleeve replacement |
| | 128650 | On/Off pendant for machine torch, 7.6 m (25') |
| | 128651 | On/Off pendant for machine torch, 15.2 m (50') |
| | 128652 | On/Off pendant for machine torch, 22.8 m (75') |
| | 123645 | Work lead with clamp, 6.1 m (20') |
| | 128717 | Work lead with clamp, 15.2 m (50') |

*Assembly does not include consumables.



For improved performance retrofit with a Duramax MRT retrofit torch (see page 87).

Hypertherm®

powermax1100

PAC135T hand torch consumables



Shielded consumables

| | Shield | Retaining cap | Nozzle | Electrode | Swirl ring | |
|-------------|--------|---------------|--------|-----------|------------|------------|
| 40 A | | | | | | Torch head |
| 80 A | | | | | | |
| 40 A | 120475 | 120520 | 120515 | 120473 | 120474 | |
| 80 A | 120475 | 120483 | 120476 | 120473 | 120474 | |

Extended* consumables

| | Deflector | Retaining cap | Nozzle | Electrode | Swirl ring | |
|-------------|-----------|---------------|--------|-----------|------------|------------|
| 80 A | | | | | | Torch head |
| 80 A | 120519 | 120483 | 120518 | 120517 | 120474 | |

Gouging consumables

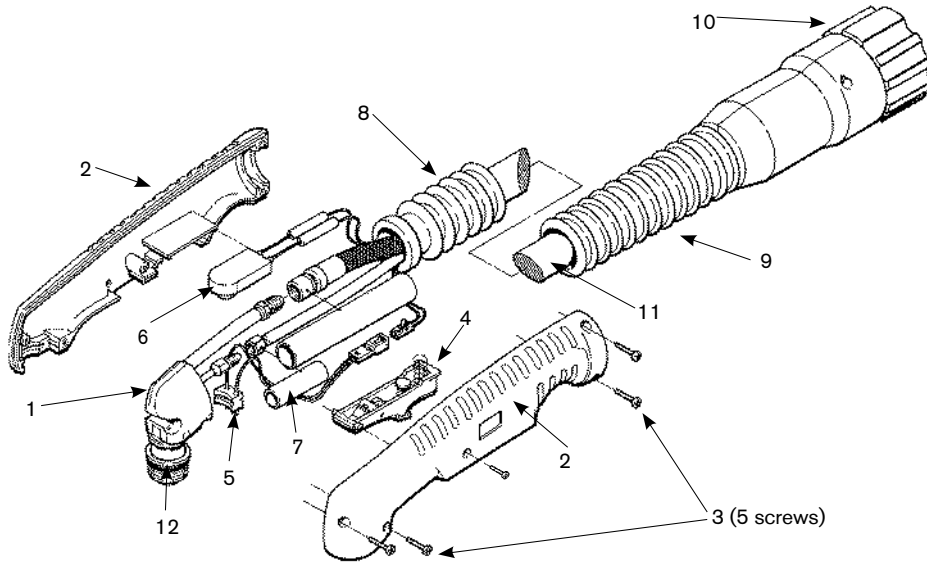
| | Shield | Retaining cap | Nozzle | Electrode | Swirl ring | |
|-------------|--------|---------------|--------|-----------|------------|------------|
| 80 A | | | | | | Torch head |
| 80 A | 120510 | 120483 | 120509 | 120473 | 120474 | |

Note: In countries following CE standards, unshielded consumables may only be used in mechanized torch applications.

For improved performance, retrofit with the RT80 torch (see page 97 or the Appendix).

powermax1100

PAC135T hand torch assembly



Note: PAC torches for the Powermax1100 will all be obsolete as of January 1st, 2013. Original consumables will remain available for these systems, but only a RT80 torch assembly will be available. RT80 torches require the use of new consumables. See page 97 or Appendix page 103 for more details.

Assembly

| Part number | Description |
|-------------|--|
| 2. 001615 | Handle (includes both halves) |
| 3. 075497 | Screws, #6 x 5/8", phillips head, pan head (five required) |
| 4. 128409 | Safety trigger upgrade assembly |
| 5. 005212 | Switch assembly, cap-on sensor |
| 6. 005247 | Push button switch |
| 7. 046072 | Heatshrink: 1/2" ID |
| 8. 001616 | Torch boot |
| 9. 002277 | Quick disconnect boot |
| 10. 128122 | Plug assembly: Torch quick disconnect |
| 11. 129559 | Torch lead, 7.6 m (25') |
| 11. 129560 | Torch lead, 15.2 m (50') |
| 12. 026020 | O-ring, silicon |
| 128145 | Work lead with clamp, 15.2 m (50') |
| 12. 026020 | O-ring, silicon |
| 128145 | Work lead with clamp, 15.2 m (50') |



For improved performance, retrofit with the RT80 torch (see page 97 or the Appendix).

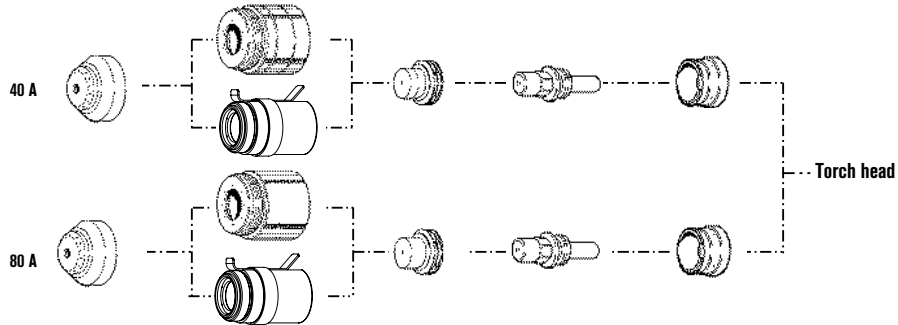
Hypertherm®

powermax1100

PAC135M machine torch consumables



Shielded consumables



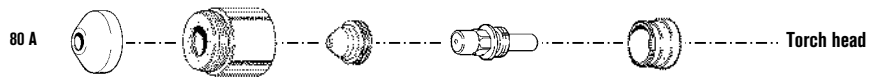
| | Shield | Retaining cap | Nozzle | Electrode | Swirl ring |
|-------|--------|---------------|--------|-----------|------------|
| 40 A | 120516 | 120520 | 120515 | 120473 | 120474 |
| 80 A | 120516 | 120483 | 120476 | 120473 | 120474 |
| Ohmic | | 120968 | | | |

Extended consumables



| | Deflector | Retaining cap | Nozzle | Electrode | Swirl ring |
|------|-----------|---------------|--------|-----------|------------|
| 80 A | 120519 | 120483 | 120518 | 120517 | 120474 |

Gouging consumables

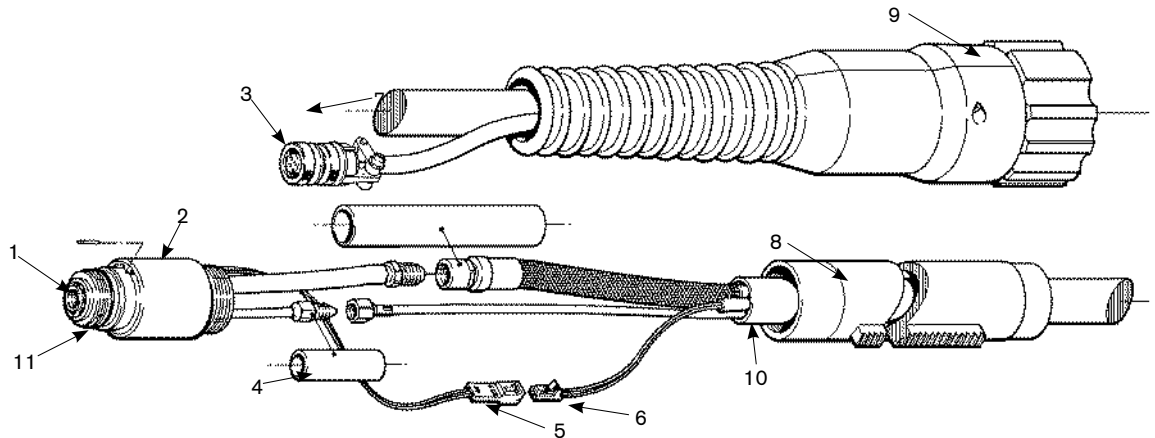


| | Shield | Retaining cap | Nozzle | Electrode | Swirl ring |
|------|--------|---------------|--------|-----------|------------|
| 80 A | 120510 | 120483 | 120509 | 120473 | 120474 |

For improved performance, retrofit with the RT80M torch (see page 99 or the Appendix).

powermax1100

PAC135M machine torch assembly



Note: PAC torches for the Powermax1 100 will all be obsolete as of January 1st, 2013. Original consumables will remain available for these systems, but only a RT80 torch assembly will be available. RT80 torches require the use of new consumables. See page 89 or Appendix page 103 for more details.

Assembly

| | Part number | Description |
|-----|-------------|--|
| 1. | 108040 | Contact: Cap-on sensor switch |
| 3. | 008268 | Plug: 3-socket female |
| 4. | 046072 | Heatshrink: 1/2" ID |
| 5. | 108035 | Pin housing: 2-position 26-22 AWG |
| 6. | 108034 | Receptacle housing: 2-position 26-22 AWG |
| 7. | 046056 | Tubing: 5/8" ID |
| 8. | 020243 | Sleeve, torch position |
| 9. | 128122 | Plug assembly: Torch quick disconnect |
| 11. | 026020 | O-ring, silicon |
| | 028714 | On/Off pendant, 7.6 m (25') |
| | 128061 | On/Off pendant, 15.2 m (50') |
| | 128062 | On/Off pendant, 22.8 m (75') |
| | 128145 | Work lead with clamp, 15.2 m (50') |



For improved performance, retrofit with the RT80M torch (see page 99 or the Appendix).

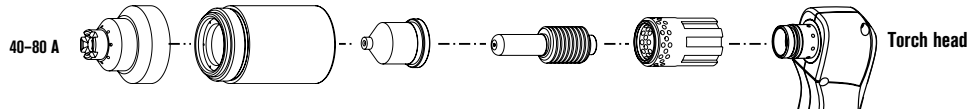
Hypertherm®

powermax1250™ G3 SERIES™

T80 hand torch consumables

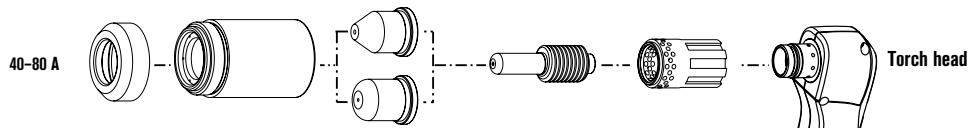


Shielded consumables



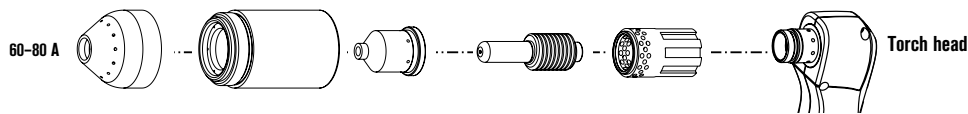
| | Shield | Retaining cap | Nozzle | Electrode | Swirl ring |
|------|---------|---------------|---------|-----------|------------|
| 40 A | 120929* | 120928 | 120932* | 120926* | 120925 |
| 60 A | 120929* | 120928 | 120931* | 120926* | 120925 |
| 80 A | 120929* | 120928 | 120927* | 120926* | 120925 |

Unshielded** consumables



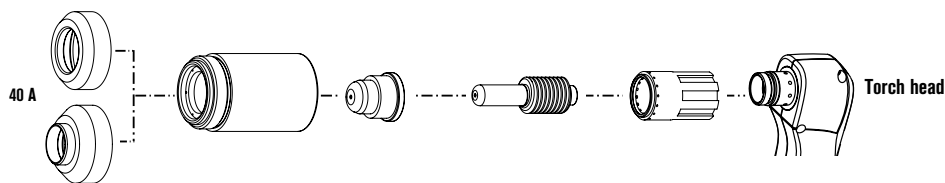
| | Deflector | Retaining cap | Nozzle | Electrode | Swirl ring |
|------|-----------|---------------|--------|-----------|------------|
| 40 A | 120979 | 120928 | 220006 | 120926* | 120925 |
| 60 A | 120979 | 120928 | 220007 | 120926* | 120925 |
| 80 A | 120979 | 120928 | 120980 | 120926* | 120925 |

Gouging consumables



| | Shield | Retaining cap | Nozzle | Electrode | Swirl ring |
|---------|--------|---------------|--------|-----------|------------|
| 60-80 A | 120977 | 120928 | 220059 | 120926* | 120925 |

FineCut consumables



| | Deflector | Retaining cap | Nozzle | Electrode | Swirl ring |
|------------|-----------|---------------|--------|-----------|------------|
| 40 A | 120979 | 120928 | 220329 | 120926* | 220327 |
| 40 A CE*** | 220325 | 120928 | 220329 | 120926* | 220327 |

**In countries following CE standards, unshielded consumables may only be used in mechanized torch applications.

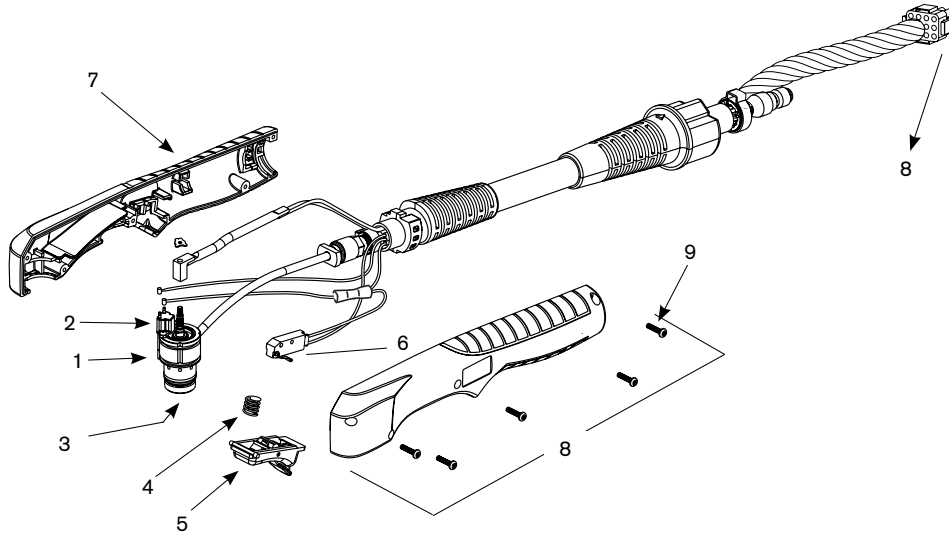
***CE shield for use in countries requiring CE, CCC, GOST marks.

For improved performance retrofit with a Duramax HRT retrofit torch (see page 85).

New CopperPlus longer life electrode available for Duramax torches. Please refer to the back cover of the catalog for additional information. CopperPlus part number 220777.

powermax1250[®]

T80 hand torch assembly



Note: T80 torch has been obsoleted for the Powermax1250. The original consumables will remain available for this system. Available torch options are the Duramax retrofit assembly or T100 torch assembly. See Appendix pages 103 and 104 for more details.

Assembly

| Part number | Description |
|-------------|--|
| 1. 128564 | Kit: T60/T80 torch main body replacement (does not include cap sensor) |
| 2. 128639 | Kit: Cap sensor switch replacement |
| 075571 | Cap-off sensor screws |
| 3. 128521 | Kit: T60/T80, T60M/T80M torch head repair (does not include head) |
| 4. 027254 | Trigger spring |
| 5. 002244 | Safety trigger assembly |
| 6. 128642 | Kit: T60/T80 start switch replacement |
| 7. 128644 | Kit: T60/T80 torch handle replacement |
| 8. 128638 | Kit: ETR connector repair (regional repair centers only) |
| 123106 | Work lead with clamp, 6.1 m (20') |
| 128718 | Work lead with clamp, 15.2 m (50') |
| 9. 075714 | Torch handle replacement screws |

*Assembly does not include consumables.



For improved performance retrofit with a Duramax HRT retrofit torch (see page 85).

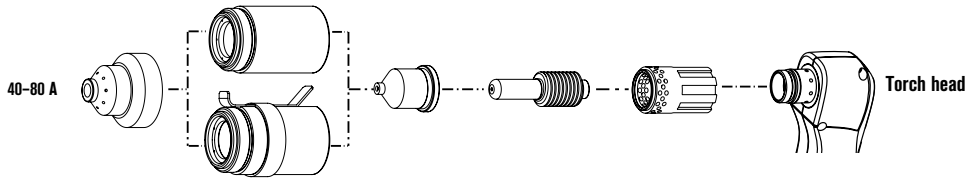
Hypertherm®

powermax1250® G3 SERIES™

T80M machine torch consumables

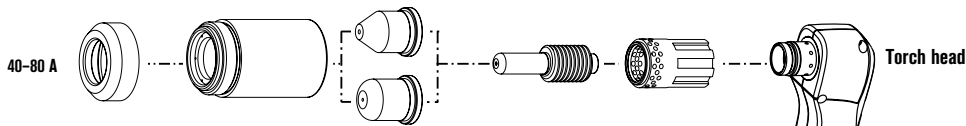


Shielded consumables



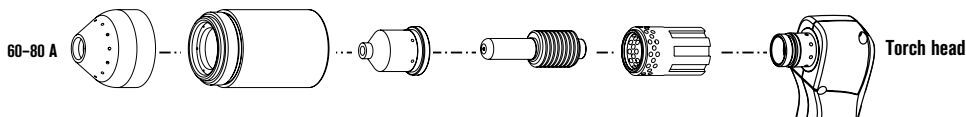
| | Shield | Retaining cap | Nozzle | Electrode | Swirl ring |
|-------|---------|---------------|---------|-----------|------------|
| 40 A | 120930* | 120928 | 120932* | 120926* | 120925 |
| 60 A | 120930* | 120928 | 120931* | 120926* | 120925 |
| 80 A | 120930* | 120928 | 120927* | 120926* | 120925 |
| Ohmic | | 220061 | | | |

Unshielded consumables



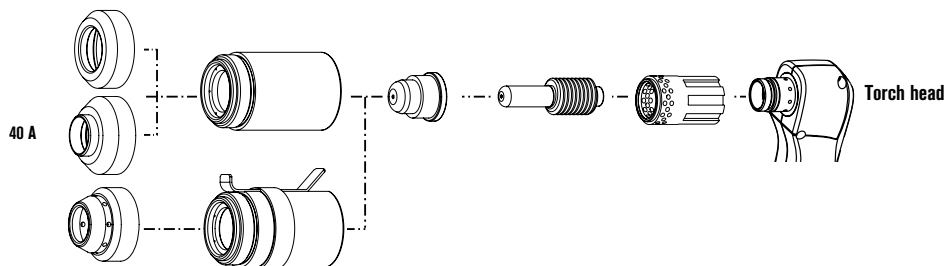
| | Deflector | Retaining cap | Nozzle | Electrode | Swirl ring |
|------|-----------|---------------|--------|-----------|------------|
| 40 A | 120979 | 120928 | 220006 | 120926* | 120925 |
| 60 A | 120979 | 120928 | 220007 | 120926* | 120925 |
| 80 A | 120979 | 120928 | 120980 | 120926* | 120925 |

Gouging consumables



| | Shield | Retaining cap | Nozzle | Electrode | Swirl ring |
|---------|--------|---------------|--------|-----------|------------|
| 60-80 A | 120977 | 120928 | 220059 | 120926* | 120925 |

FineCut consumables



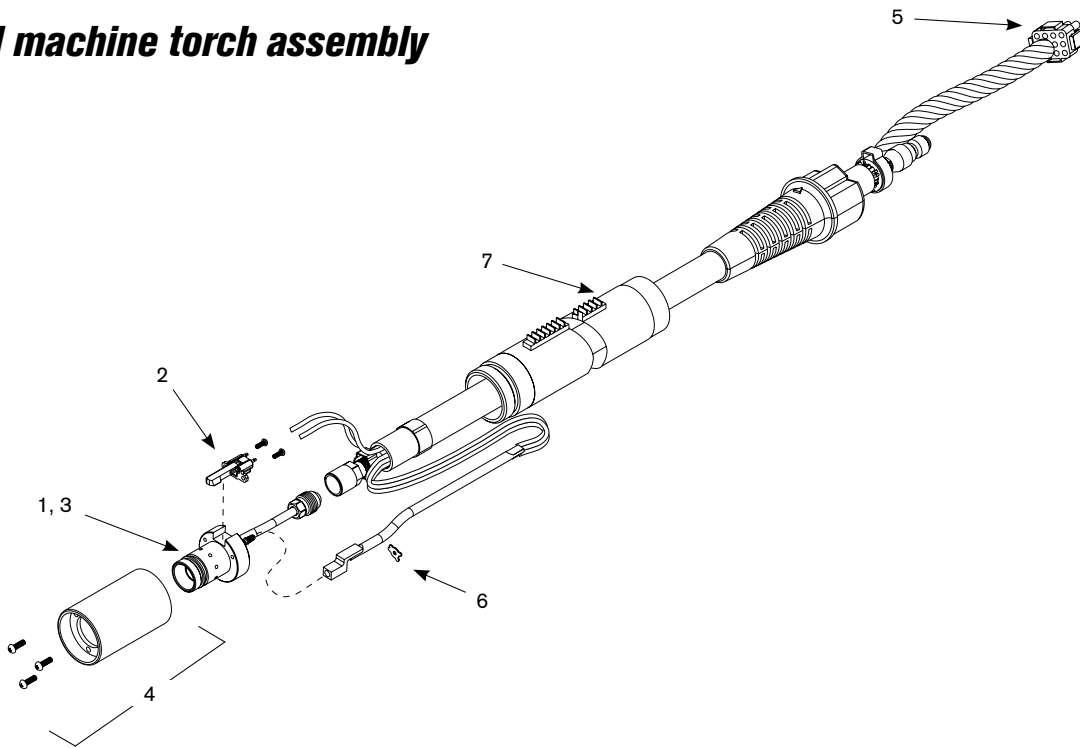
| | Shield / Deflector | Retaining cap | Nozzle | Electrode | Swirl ring |
|---------|--------------------|---------------|--------|-----------|------------|
| 40 A | 120979 | 120928 | 220329 | 120926* | 120925 |
| 40 A CE | 220325 | 120928 | 220329 | 120926* | 120925 |
| Ohmic | 220404 | 220061 | | | |

For improved performance retrofit with a Duramax MRT retrofit torch (see page 87).

New CopperPlus longer life electrode available for Duramax torches. Please refer to the back cover of the catalog for additional information. CopperPlus part number 220777.

powermax1250[®]

T80M machine torch assembly



Note: T80M torches have been obsoleted for the Powermax1250 system. Original consumables for this system will remain available. Duramax retrofit torches and T100 torches are available for use with this system. See Appendix pages 103 and 104 for more details.

Assembly

| Part number | Description |
|-------------|--|
| 128645 | Kit: Torch mounting |
| 1. 128640 | Kit: T60M/T80M torch main body replacement (does not include cap sensor) |
| 2. 128639 | Kit: Cap sensor switch replacement |
| 075571 | Cap-off sensor screws |
| 3. 128521 | Kit: T60/T80, T60M/T80M torch head repair (does not include head) |
| 4. 128643 | Kit: T60M/T80M mounting sleeve replacement |
| 5. 128638 | Kit: ETR connector repair (regional repair centers only) |
| 6. 027889 | Retaining clip |
| 7. 128710 | Kit: T60/T80M positioning sleeve replacement |
| 128650 | On/Off pendant for machine torch, 7.6 m (25') |
| 128651 | On/Off pendant for machine torch, 15.2 m (50') |
| 128652 | On/Off pendant for machine torch, 22.8 m (75') |
| 123106 | Work lead with clamp, 6.1 m (20') |
| 128145 | Work lead with clamp, 15.2 m (50') |
| 128718 | Work lead with clamp, 15.2 m (50') |



For improved performance retrofit with a Duramax MRT retrofit torch (see page 87).

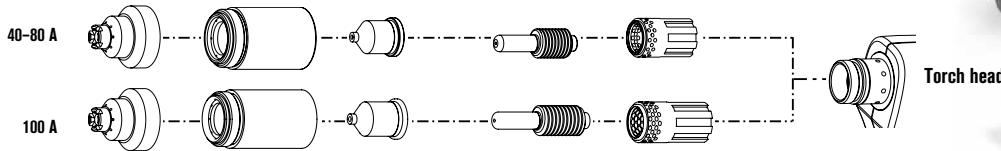
Hypertherm®

powermax1650™ G3 SERIES™

T100 hand torch consumables

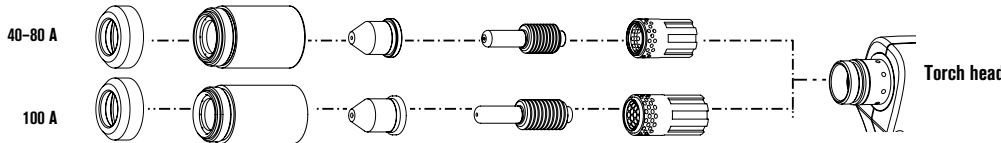


Shielded consumables



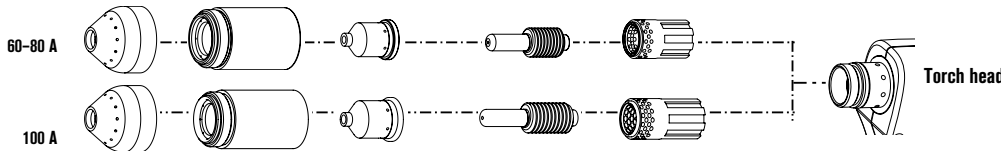
| | Shield | Retaining cap | Nozzle | Electrode | Swirl ring |
|---------|---------|---------------|---------|-----------|------------|
| 40-80 A | 120929* | 120928 | 120932* | 120926* | 120925 |
| 60 A | 120929* | 120928 | 120931* | 120926* | 120925 |
| 80 A | 120929* | 120928 | 120927* | 120926* | 120925 |
| 100 A | 220065* | 220048 | 220011* | 220037* | 220051 |

Unshielded** consumables



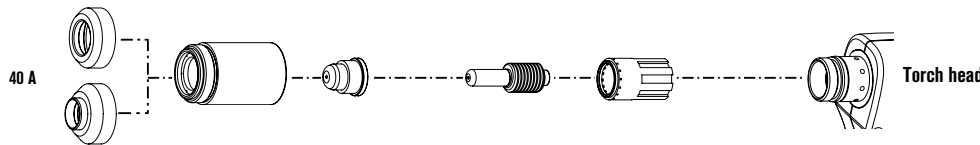
| | Deflector | Retaining cap | Nozzle | Electrode | Swirl ring |
|---------|-----------|---------------|--------|-----------|------------|
| 40-80 A | 120979 | 120928 | 220006 | 120926* | 120925 |
| 60 A | 120979 | 120928 | 220007 | 120926* | 120925 |
| 80 A | 120979 | 120928 | 120980 | 120926* | 120925 |
| 100 A | 120979 | 220048 | 220064 | 220037* | 220051 |

Gouging consumables



| | Shield | Retaining cap | Nozzle | Electrode | Swirl ring |
|---------|--------|---------------|--------|-----------|------------|
| 60-80 A | 120977 | 120928 | 220059 | 120926* | 120925 |
| 100 A | 120977 | 220048 | 220063 | 220037* | 220051 |

FineCut consumables



| | Deflector | Retaining cap | Nozzle | Electrode | Swirl ring |
|------------|-----------|---------------|--------|-----------|------------|
| 40 A | 120979 | 120928 | 220329 | 120926* | 220327 |
| 40 A CE*** | 220325 | 120928 | 220329 | 120926* | 220327 |

**In countries following CE standards, unshielded consumables may only be used in mechanized torch applications.

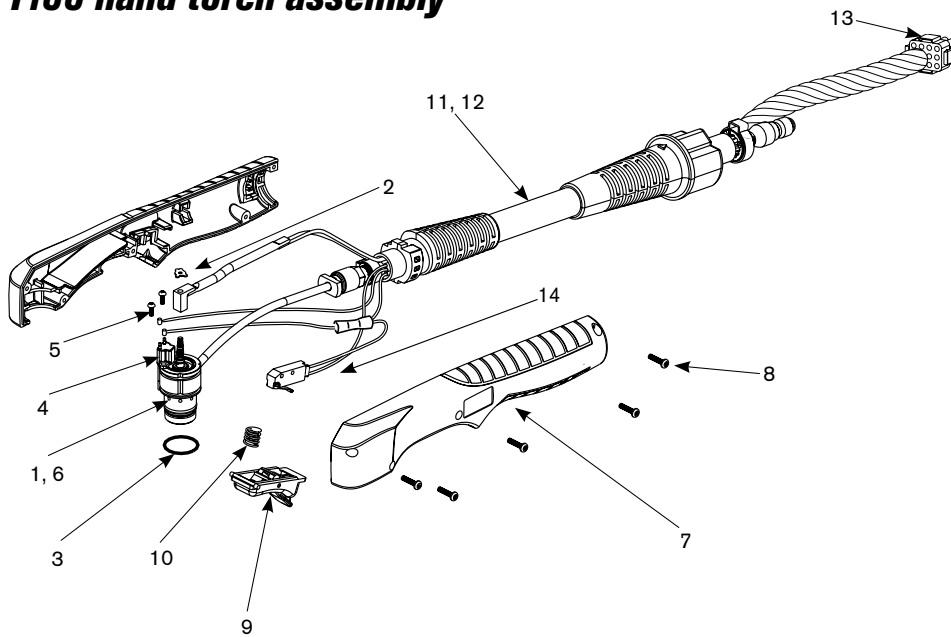
***CE shield for use in countries requiring CE, CCC, GOST marks.

For improved performance retrofit with a Duramax HRT retrofit torch (see page 85).

New CopperPlus longer life electrode available for Duramax torches. Please refer to the back cover of the catalog for additional information. CopperPlus part number 220777.

powermax1650[®]

T100 hand torch assembly



Assembly

| Part number | Description |
|-------------|---|
| 059498* | T100 hand torch assembly with 7.6 m (25') leads |
| 059499* | T100 hand torch assembly with 15.2 m (50') leads |
| 059500* | T100 hand torch assembly with 22.8 m (75') leads |
| 1. 128767 | Kit: T100 torch main body replacement (does not include cap sensor) |
| 2. 027889 | Retaining clip |
| 3. 058519 | O-ring |
| 4. 128639 | Kit: Cap-off sensor replacement |
| 5. 075571 | Cap-off sensor screws |
| 6. 128768 | Kit: T100/T100M torch head repair (does not include head) |
| 7. 128644 | Kit: T100 torch handle replacement |
| 8. 075714 | Handle screws |
| 9. 002244 | Safety trigger |
| 10. 027254 | Trigger spring |
| 11. 128755 | Kit: T100 lead replacement, 7.6 m (25') |
| 12. 128752 | Kit: T100 lead replacement, 15.2 m (50') |
| 13. 128772 | Kit: ETR connector repair (regional repair centers only) |
| 14. 128642 | Kit: Start switch replacement |
| 123654 | Work lead with clamp, 6.1 m (20') |
| 123655 | Work lead with clamp, 15.2 m (50') |

*Assembly does not include consumables.

This torch is also compatible for the Powermax1250 and Powermax1000.



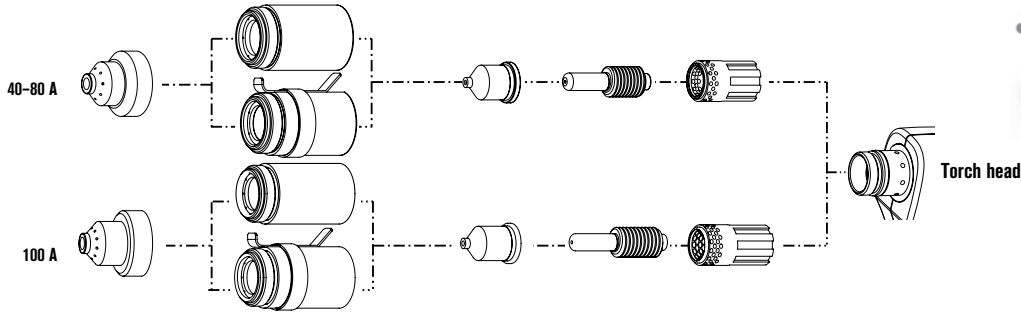
For improved performance retrofit with a Duramax HRT retrofit torch (see page 85).

Hypertherm®

powermax1650™ G3 SERIES™

T100M machine torch consumables

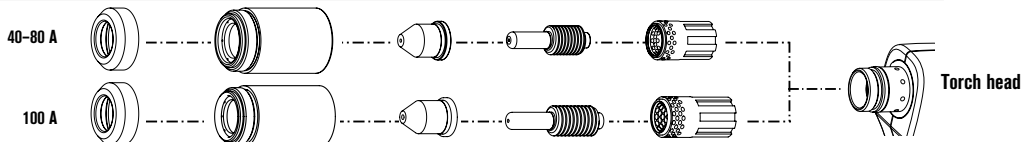
Shielded consumables



| | Shield | Retaining cap | Nozzle | Electrode | Swirl ring |
|---------------|---------|---------------|---------|-----------|------------|
| 40 A | 120930* | 120928 | 120932* | 120926* | 120925 |
| 60 A | 120930* | 120928 | 120931* | 120926* | 120925 |
| 80 A | 120930* | 120928 | 120927* | 120926* | 120925 |
| 100 A | 220047* | 220048 | 220011* | 220037* | 220051 |
| 40-80 A Ohmic | | 220061 | | | |
| 100 A Ohmic | | 220206 | | | |

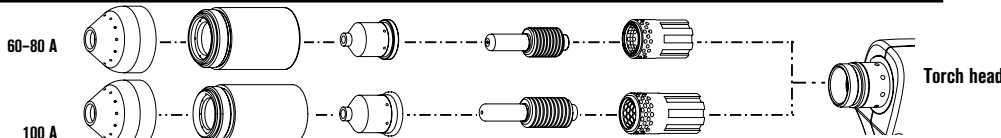


Unshielded consumables



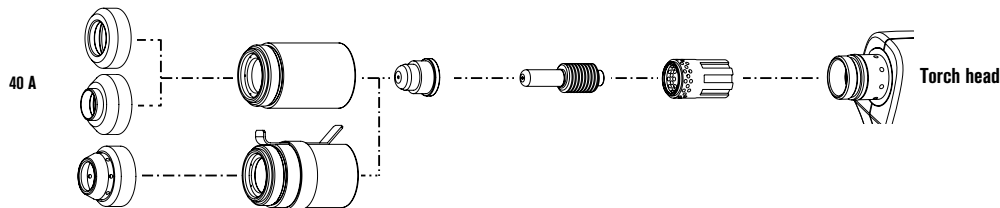
| | Deflector | Retaining cap | Nozzle | Electrode | Swirl ring |
|-------|-----------|---------------|--------|-----------|------------|
| 40 A | 120979 | 120928 | 220006 | 120926* | 120925 |
| 60 A | 120979 | 120928 | 220007 | 120926* | 120925 |
| 80 A | 120979 | 120928 | 120980 | 120926* | 120925 |
| 100 A | 120979 | 220048 | 220064 | 220037* | 220051 |

Gouging consumables



| | Shield | Retaining cap | Nozzle | Electrode | Swirl ring |
|---------|--------|---------------|--------|-----------|------------|
| 60-80 A | 120977 | 120928 | 220059 | 120926* | 120925 |
| 100 A | 120977 | 220048 | 220063 | 220037* | 220051 |

FineCut consumables



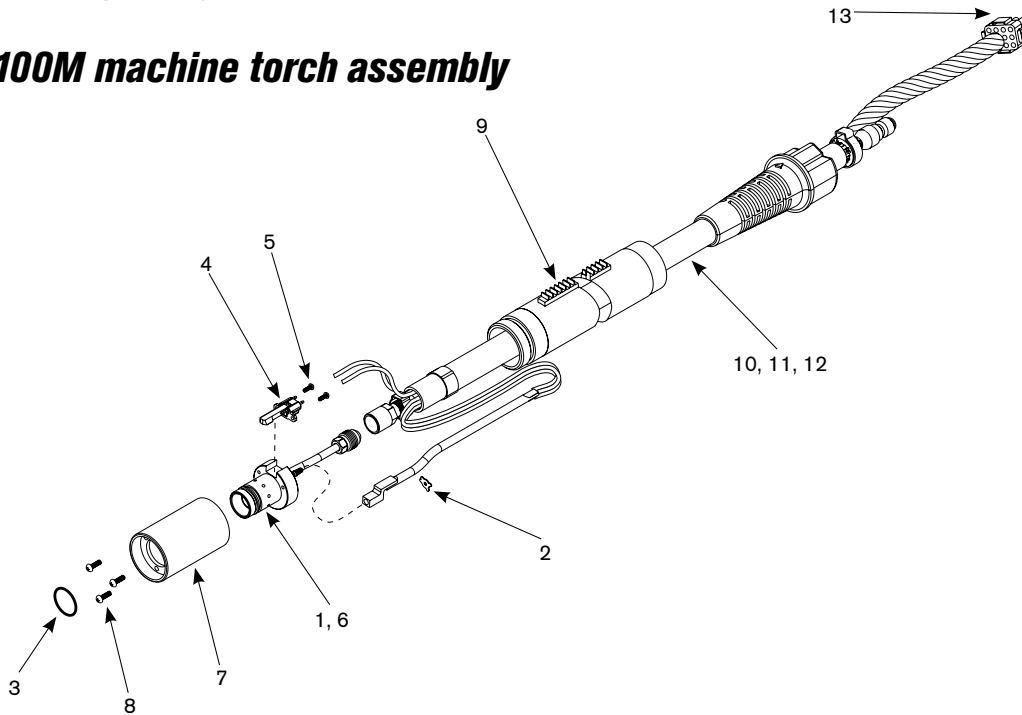
| | Shield / Deflector | Retaining cap | Nozzle | Electrode | Swirl ring |
|---------|--------------------|---------------|--------|-----------|------------|
| 40 A | 120979 | 120928 | 220329 | 120926* | 120925 |
| 40 A CE | 220325 | 120928 | 220329 | 120926* | 120925 |
| Ohmic | 220404 | 220061 | | | |

For improved performance retrofit with a Duramax MRT retrofit torch (see page 87).

New CopperPlus longer life electrode available for Duramax torches. Please refer to the back cover of the catalog for additional information. CopperPlus part number 220777.

powermax1650[®]

T100M machine torch assembly



Assembly

| | Part number | Description |
|-----|-------------|--|
| | 059309* | Test torch with 1.8 m (6') leads |
| 1. | 128754 | Kit: T100M torch main body replacement (does not include cap sensor) |
| 2. | 027889 | Retaining clip |
| 3. | 058519 | O-ring |
| 4. | 128639 | Kit: Cap sensor switch replacement |
| 5. | 075571 | Cap-off sensor screws |
| 6. | 128768 | Kit: T100/T100M torch head repair (does not include head) |
| 7. | 128643 | Kit: T100M mounting sleeve replacement |
| 8. | 075004 | Torch mounting screws |
| 9. | 128710 | Torch positioning sleeve |
| 10. | 128753 | Kit: T100/T100M lead replacement, 7.6 m (25') |
| 11. | 128751 | Kit: T100/T100M lead replacement, 10.7 m (35') |
| 12. | 128759 | Kit: T100/T100M lead replacement, 15.2 m (50') |
| 13. | 128772 | Kit: ETR connector repair (regional repair centers only) |
| | 128645 | Kit: Torch mounting (for reassembly after installation) |
| | 128650 | On/Off pendant for machine torch, 7.6 m (25') |
| | 128651 | On/Off pendant for machine torch, 15.2 m (50') |
| | 128652 | On/Off pendant for machine torch, 22.8 m (75') |
| | 123654 | Work lead with clamp, 6.1 m (20') |
| | 123655 | Work lead with clamp, 15.2 m (50') |

*Assembly does not include consumables.

This torch is also compatible with Powermax1000 and Powermax1250.



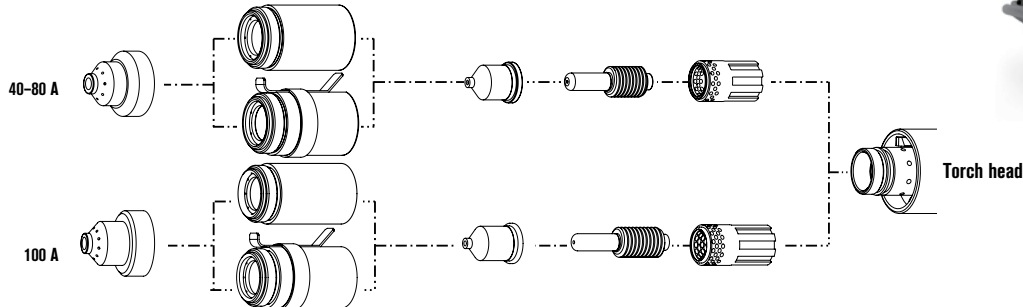
For improved performance retrofit with a Duramax MRT retrofit torch (see page 87).

Hypertherm®

powermax1650™ G3 SERIES™

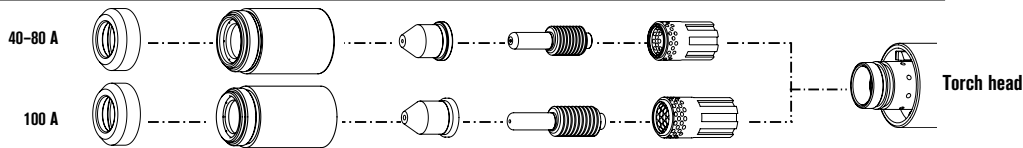
T100M-2 machine torch consumables

Shielded consumables



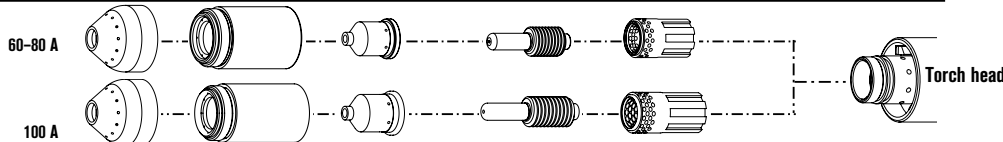
| | Shield | Retaining cap | Nozzle | Electrode | Swirl ring |
|---------------|---------|---------------|---------|-----------|------------|
| 40 A | 120930* | 120928 | 120932* | 120926* | 120925 |
| 60 A | 120930* | 120928 | 120931* | 120926* | 120925 |
| 80 A | 120930* | 120928 | 120927* | 120926* | 120925 |
| 100 A | 220047* | 220048 | 220011* | 220037* | 220051 |
| 40-80 A Ohmic | | 220061 | | | |
| 100 A Ohmic | | 220206 | | | |

Unshielded* consumables



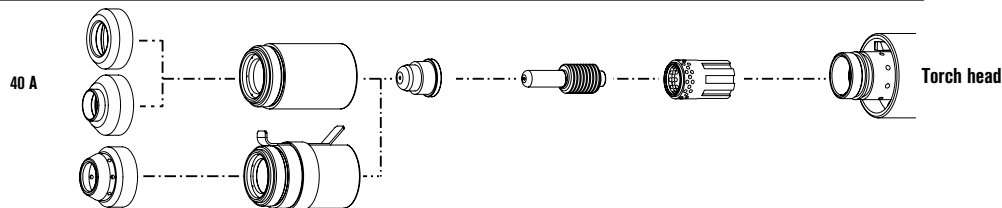
| | Deflector | Retaining cap | Nozzle | Electrode | Swirl ring |
|-------|-----------|---------------|--------|-----------|------------|
| 40 A | 120979 | 120928 | 220006 | 120926* | 120925 |
| 60 A | 120979 | 120928 | 220007 | 120926* | 120925 |
| 80 A | 120979 | 120928 | 120980 | 120926* | 120925 |
| 100 A | 120979 | 220048 | 220064 | 220037* | 220051 |

Gouging consumables



| | Shield | Retaining cap | Nozzle | Electrode | Swirl ring |
|---------|--------|---------------|--------|-----------|------------|
| 60-80 A | 120977 | 120928 | 220059 | 120926* | 120925 |
| 100 A | 120977 | 220048 | 220063 | 220037* | 220051 |

FineCut consumables



| | Shield / Deflector | Retaining cap | Nozzle | Electrode | Swirl ring |
|---------|--------------------|---------------|--------|-----------|------------|
| 40 A | 120979 | 120928 | 220329 | 120926* | 120925 |
| 40 A CE | 220325 | 120928 | 220329 | 120926* | 120925 |
| Ohmic | 220404 | 220061 | | | |

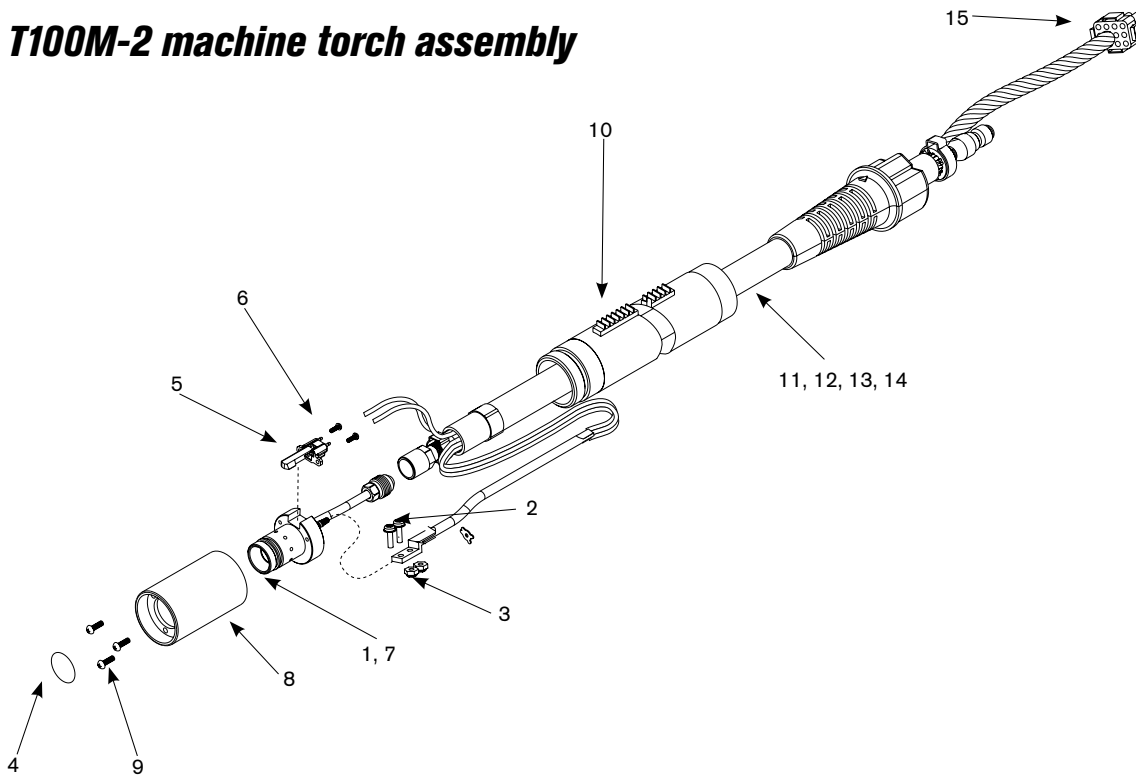
Note: In countries following CE standards, unshielded consumables may only be used in mechanized torch applications.

For improved performance retrofit with a Duramax MRT retrofit torch (see page 87).

New CopperPlus longer life electrode available for Duramax torches. Please refer to the back cover of the catalog for additional information. CopperPlus part number 220777.

powermax1650[®]

T100M-2 machine torch assembly



Assembly

| Part number | Description |
|-------------|--|
| 059501* | T100M-2 machine torch assembly with 7.6 m (25') leads |
| 059502* | T100M-2 machine torch assembly with 10.7 m (35') leads |
| 059503* | T100M-2 machine torch assembly with 15.2 m (50') leads |
| 059504* | T100M-2 machine torch assembly with 22.8 m (75') leads |
| 1. 228523 | Kit: T100M-2 torch main body replacement (does not include cap sensor) |
| 2. 075473 | Machine screws |
| 3. 075503 | Lock nuts |
| 4. 058519 | O-ring |
| 5. 128639 | Kit: Cap-off sensor replacement |
| 6. 075571 | Cap-off sensor screws |
| 7. 228522 | Kit: T100M-2 torch head repair |
| 8. 128643 | Kit: Torch mounting sleeve replacement |
| 9. 075004 | Torch mounting screws |
| 10. 128710 | Torch positioning sleeve |
| 11. 228222 | Kit: T100M-2 lead replacement, 7.6 m (25') |
| 12. 228223 | Kit: T100M-2 lead replacement, 10.7 m (35') |
| 13. 228224 | Kit: T100M-2 lead replacement, 15.2 m (50') |
| 14. 228225 | Kit: T100M-2 lead replacement, 22.8 m (75') |
| 15. 128772 | Kit: ETR connector repair (regional repair centers only) |
| 128645 | Kit: Torch mounting (for reassembly after installation) |

*Assembly does not include consumables.

This torch is also compatible with Powermax1000 and Powermax1250.



For improved performance retrofit with a Duramax MRT retrofit torch (see page 87).

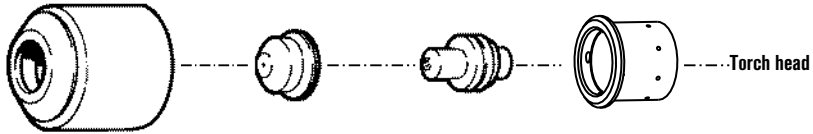
Hypertherm[®]

MAX20

PAC110 hand torch consumables

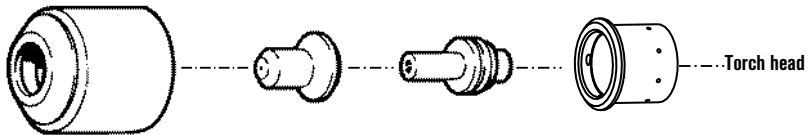


Standard consumables



| Retaining cap | Nozzle | Electrode | Swirl ring |
|---------------|--------|-----------|------------|
| 220016 | 020299 | 020220 | 220013 |

Extended* consumables

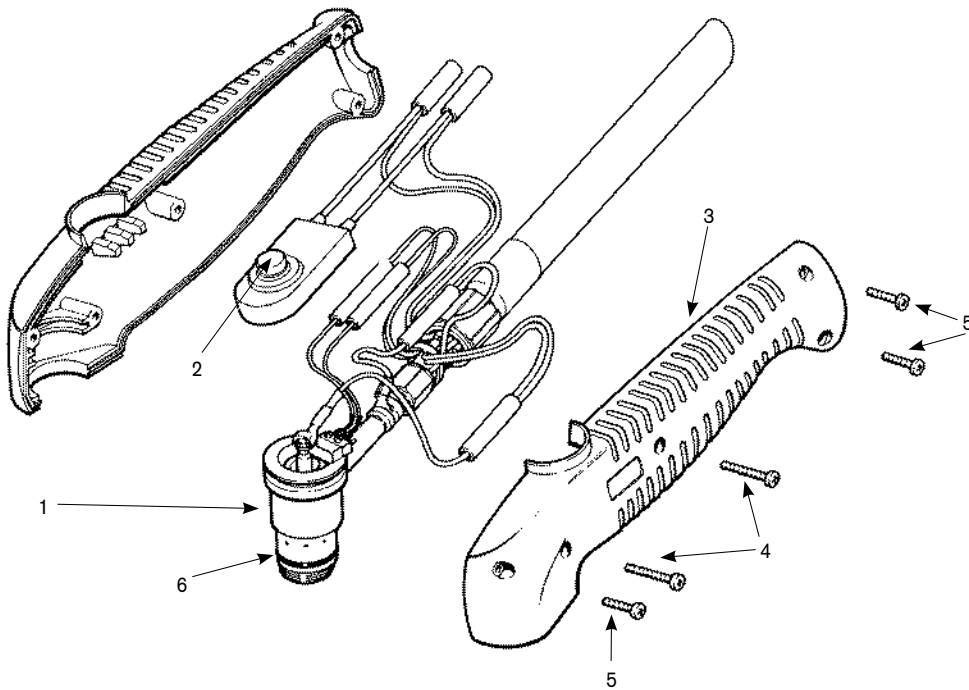


| Retaining cap | Nozzle | Electrode | Swirl ring |
|---------------|--------|-----------|------------|
| 220016 | 020381 | 020382 | 220013 |

*In countries following CE standards, unshielded consumables may only be used in mechanized torch applications.

MAX20

PAC110 hand torch assembly



Assembly

| Part number | Description |
|-------------|--|
| 070003* | PAC110 torch assembly with 4.5 m (15') leads |
| 070014* | PAC110 torch assembly with 7.6 m (25') leads |
| 1. 020588 | Torch main body with switch |
| 2. 005094 | Switch, torch pushbutton |
| 3. 001192 | Handle (includes both halves) |
| 4. 075341 | Screw, #4 x 3/4" (two required) |
| 5. 075339 | Screw, #4 x 1/2" (three required) |
| 6. 044016 | O-ring, Buna – N 90 Duro |
| 029241 | Torch leads, 4.5 m (15') |
| 029257 | Torch leads, 7.6 m (25') |
| 023269 | Work lead with clamp, 4.5 m (15') |

*Assembly includes consumables.

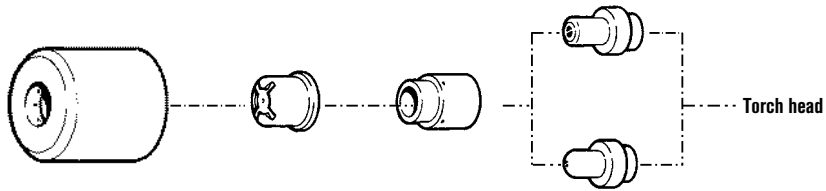


Hypertherm®

MAX40/HT40

PAC140 hand torch consumables

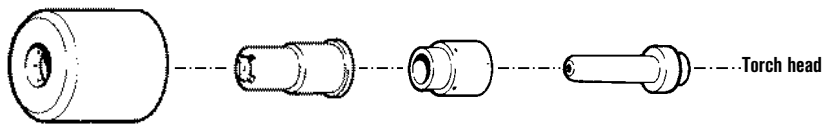
Standard consumables



| | Retaining cap | Nozzle | Swirl ring | Electrode |
|----------------------------|---------------|--------|------------|-----------|
| Air | 020104 | 020115 | 020101 | 020103 |
| Nitrogen (N ₂) | 020104 | 020115 | 020101 | 020167 |

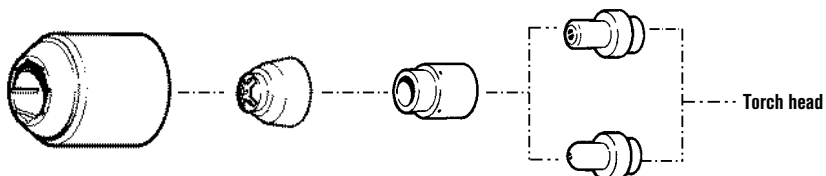


Extended consumables



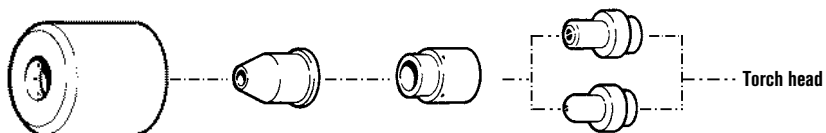
| | Retaining cap | Nozzle | Swirl ring | Electrode |
|-----|---------------|--------|------------|-----------|
| Air | 020104 | 020466 | 020101 | 020467 |

Tapered consumables



| | Retaining cap | Nozzle | Swirl ring | Electrode |
|----------------------------|---------------|--------|------------|-----------|
| Air | 020200 | 020197 | 020101 | 020103 |
| Nitrogen (N ₂) | 020200 | 020197 | 020101 | 020167 |

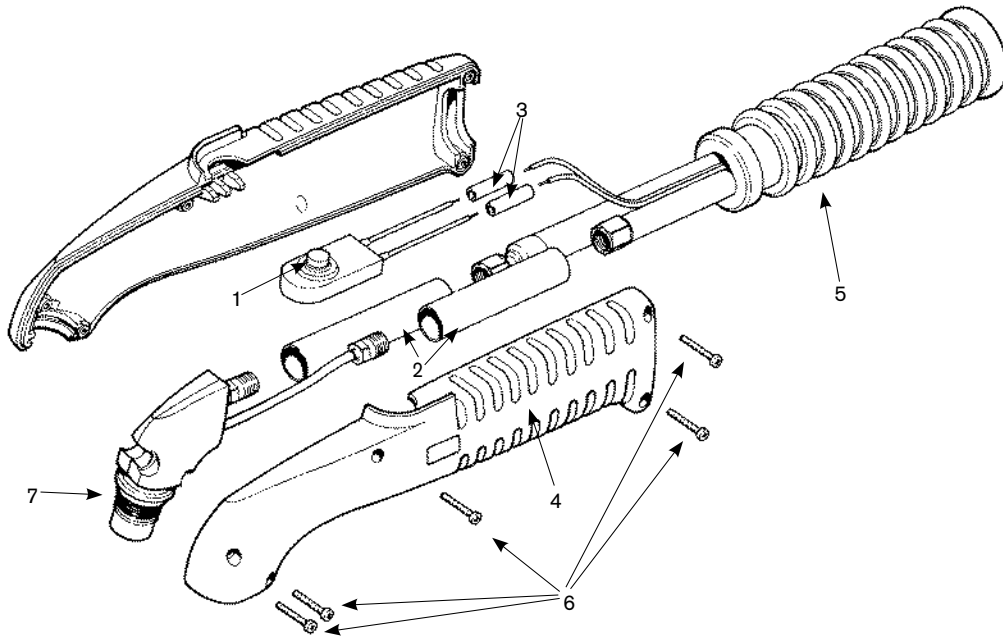
Gouging consumables



| | Retaining cap | Nozzle | Swirl ring | Electrode |
|----------------------------|---------------|--------|------------|-----------|
| Air | 020104 | 020340 | 020101 | 020103 |
| Nitrogen (N ₂) | 020104 | 020340 | 020101 | 020167 |

MAX40/HT40

PAC140 hand torch assembly



Assembly

| Part number | Description |
|-------------|--|
| 057112* | Torch assembly with 7.6 m (25') leads |
| 057113* | Torch assembly with 15.2 m (50') leads |
| 1. 005094 | Switch, torch pushbutton |
| 2. 020536 | Lead insulator (two required) |
| 020479 | Torch main body |
| 3. 074069 | Splice, butt, insulated (two required) |
| 4. 001214 | Handle (includes both halves) |
| 5. 001260 | Boot |
| 6. 075365 | Screw #6 x 3/4" (five required) |
| 7. 044016 | O-ring, Buna – N 90 Duro |
| 029129 | Torch leads, 7.6 m (25') |
| 029130 | Torch leads, 15.2 m (50') |
| 023205 | Work lead with clamp, 4.5 m (15') |

*Assembly includes consumables.



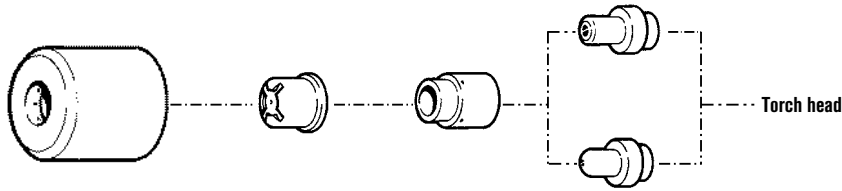
Hypertherm®

MAX40/HT40

MAX40/HT40 machine torch consumables

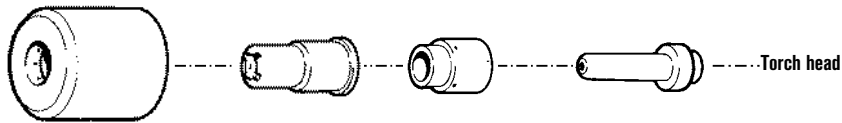


Standard consumables



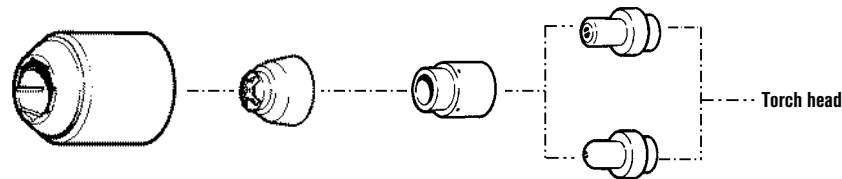
| | Retaining cap | Nozzle | Swirl ring | Electrode |
|----------------------------|---------------|--------|------------|-----------|
| Air | 020104 | 020115 | 020101 | 020103 |
| Nitrogen (N ₂) | 020104 | 020115 | 020101 | 020167 |

Extended consumables



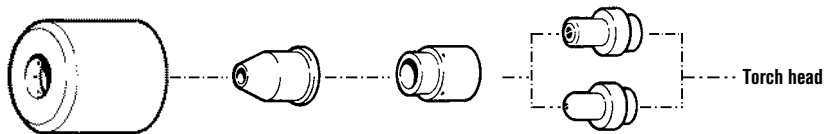
| | Retaining cap | Nozzle | Swirl ring | Electrode |
|-----|---------------|--------|------------|-----------|
| Air | 020104 | 020466 | 020101 | 220467 |

Tapered consumables



| | Retaining cap | Nozzle | Swirl ring | Electrode |
|----------------------------|---------------|--------|------------|-----------|
| Air | 020200 | 020197 | 020101 | 020103 |
| Nitrogen (N ₂) | 020200 | 020197 | 020101 | 020167 |

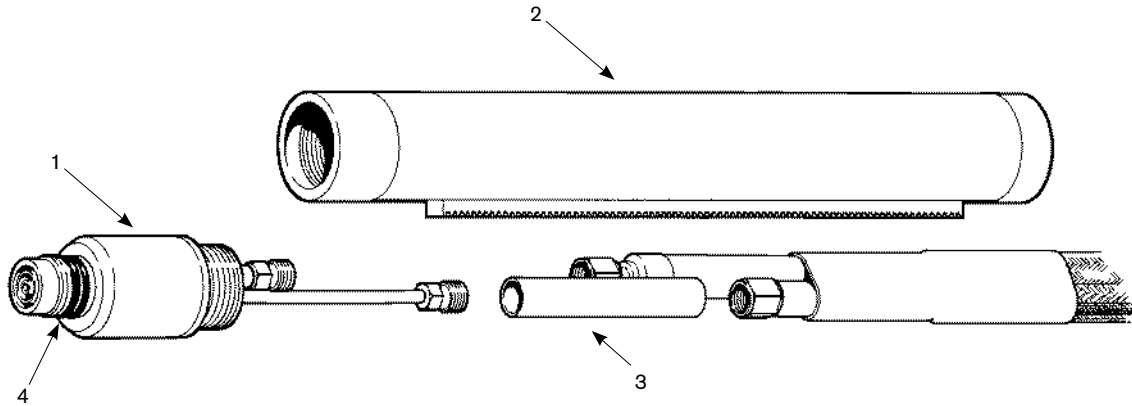
Gouging consumables



| | Retaining cap | Nozzle | Swirl ring | Electrode |
|----------------------------|---------------|--------|------------|-----------|
| Air | 020104 | 020340 | 020101 | 020103 |
| Nitrogen (N ₂) | 020104 | 020340 | 020101 | 020167 |

MAX40/HT40

MAX40/HT40 machine torch assembly



Assembly

| | Part number | Description |
|----|-------------|---|
| | 028287* | Torch assembly |
| 1. | 020114 | Torch main body |
| 2. | 020231 | Torch position sleeve, 273.05 mm (10-3/4") (included in 028287) |
| 2. | 020269 | Torch position sleeve, 457.2 mm (18") |
| 3. | 004302 | Lead insulator |
| 4. | 044016 | O-ring, Buna – N 90 Duro |
| | 028288 | Torch leads, 7.6 m (25') |
| | 028289 | Torch leads, 10.7 m (35') |
| | 028290 | Torch leads, 15.2 m (50') |
| | 023205 | Work lead with clamp, 4.5 m (15') |

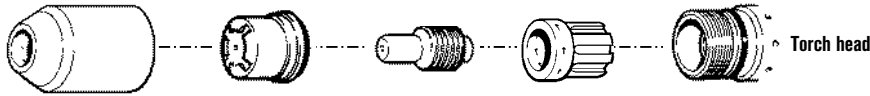
*Assembly includes consumables.

Hypertherm®

MAX40cs/42/43

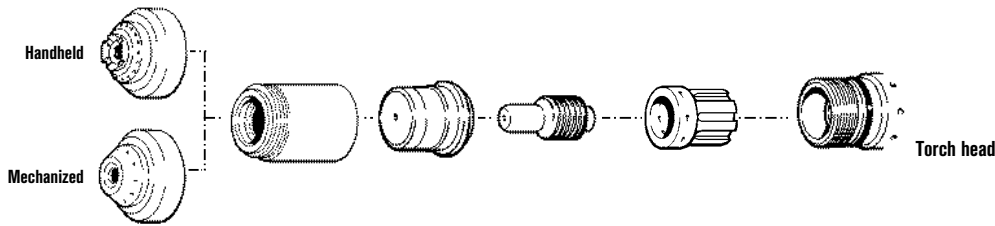
PAC120/121TS/125T hand and machine torch consumables

Standard consumables



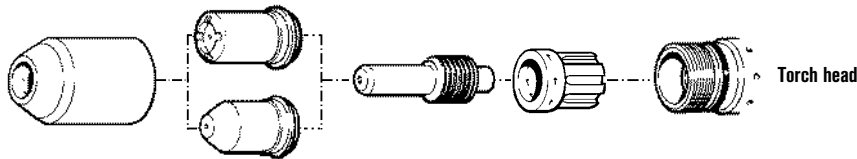
| Retaining cap | Nozzle | Electrode | Swirl ring |
|---------------|--------|-----------|------------|
| 020930 | 020350 | 120573 | 020361 |

Shielded consumables



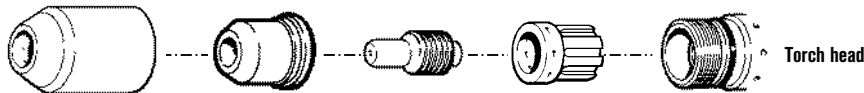
| | Shield | Retaining cap | Nozzle | Electrode | Swirl ring |
|------------|--------|---------------|--------|-----------|------------|
| Handheld | 120601 | 120600 | 120438 | 120573 | 020361 |
| Mechanized | 120602 | 120600 | 120438 | 120573 | 020361 |

Extended* consumables



| | Retaining cap | Nozzle | Electrode | Swirl ring |
|-------------|---------------|--------|-----------|------------|
| Pipe saddle | 020930 | 120023 | 120574 | 020361 |
| Extended | 020930 | 020546 | 120574 | 020361 |

Gouging consumables



| Retaining cap | Nozzle | Electrode | Swirl ring |
|---------------|--------|-----------|------------|
| 020930 | 020539 | 120573 | 020361 |

*In countries following CE standards, unshielded consumables may only be used in mechanized torch applications.

**CE shield for use in countries requiring CE, CCC, GOST marks.

Notes: The nozzles and swirl rings shown must be used as a set.

A label located on the torch handle indicates whether the torch is a PAC121TS or PAC125T.



MAX40cs



MAX42



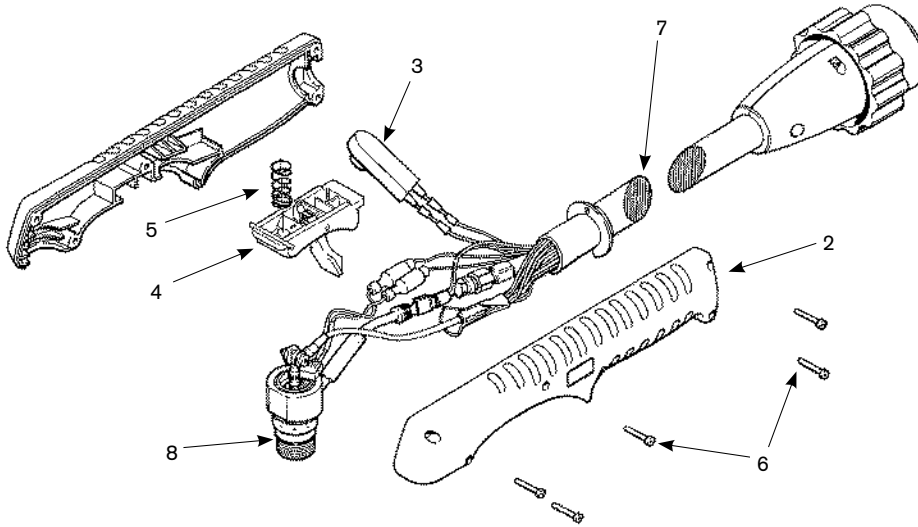
MAX43

For improved performance retrofit with a Duramax HRT retrofit torch (see page 89).

New CopperPlus longer life electrode available for Duramax torches. Please refer to the back cover of the catalog for additional information. CopperPlus part number 220777.

MAX40cs/42/43

PAC121TS/125T hand torch assembly



Note: PAC torches for the Powermax600, Powermax800, Powermax900, MAX42 and MAX43 will all be obsolete as of January 1st, 2013. Original consumables will remain available for these systems, but only a Duramax retrofit torch assembly will be available. Duramax torches require the use of new consumables. See page 89 or Appendix page 101 for more details.

Assembly – PAC121TS Torch without quick disconnects

| Part number | Description |
|-------------|---|
| 7. 029556 | MAX40cs torch leads without QD 7.6 m (25') |
| 7. 029557 | MAX40cs torch leads without QD 15.2 m (50') |
| 2. 001288 | Handle (includes both halves) |
| 3. 128284 | Switch, torch pushbutton, kit, HNDTCH, PBSW RPR |
| 4. 002244 | Safety trigger assembly |
| 5. 027254 | Safety trigger spring |
| 6. 075340 | Screw, #4 x 5/8" (five required) |
| 8. 044016 | O-ring, Buna – N 90 Duro |
| 023452 | MAX43 work lead with clamp, 4.5 m (15') |
| 023415 | MAX40cs work lead with clamp, 4.5 m (15') |
| 023205 | MAX42 work lead with clamp, 4.5 m (15') |

Assembly – PAC125T

| Part number | Description |
|-------------|---|
| 2. 001288 | Handle (includes both halves) |
| 3. 128284 | Switch, torch pushbutton, kit, HNDTCH, PBSW RPR |
| 4. 002244 | Safety trigger assembly |
| 5. 027254 | Safety trigger spring |
| 6. 075340 | Screw, #4 x 5/8" (five required) |
| 8. 044016 | O-ring, Buna – N 90 Duro |
| 023452 | MAX43 work lead with clamp, 4.5 m (15') |
| 023415 | MAX40cs work lead with clamp, 4.5 m (15') |
| 023205 | MAX42 work lead with clamp, 4.5 m (15') |



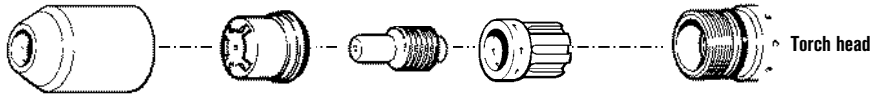
For improved performance retrofit with a Duramax HRT retrofit torch (see page 89).

Hypertherm®

MAX40cs/42/43

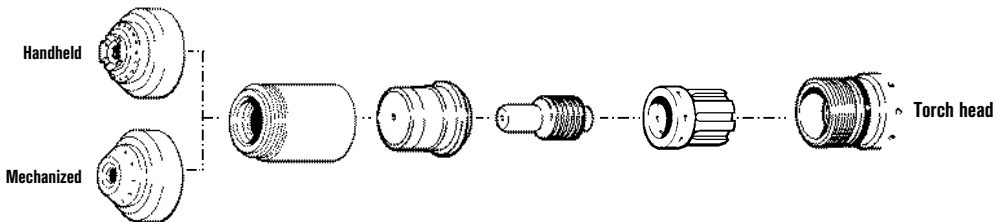
PAC121P hand and machine torch consumables

Standard consumables



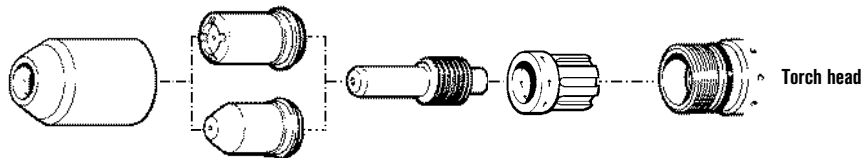
| Retaining cap | Nozzle | Electrode | Swirl ring |
|---------------|--------|-----------|------------|
| 020930 | 020350 | 120573 | 020361 |

Shielded consumables



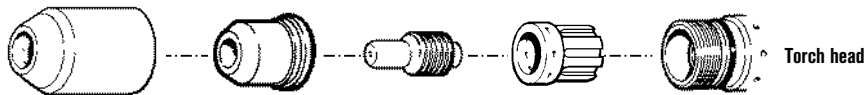
| | Shield | Retaining cap | Nozzle | Electrode | Swirl ring |
|------------|--------|---------------|--------|-----------|------------|
| Handheld | 120601 | 120600 | 120438 | 120573 | 020361 |
| Mechanized | 120602 | 120600 | 120438 | 120573 | 020361 |

Extended* consumables



| | Retaining cap | Nozzle | Electrode | Swirl ring |
|-------------|---------------|--------|-----------|------------|
| Pipe saddle | 020930 | 120023 | 120574 | 020361 |
| Extended | 020930 | 020546 | 120574 | 020361 |

Gouging consumables



| Retaining cap | Nozzle | Electrode | Swirl ring |
|---------------|--------|-----------|------------|
| 020930 | 020539 | 120573 | 020361 |

*In countries following CE standards, unshielded consumables may only be used in mechanized torch applications.

**CE shield for use in countries requiring CE, CCC, GOST marks.

Note: The nozzles and swirl rings shown must be used as a set.



MAX40cs



MAX42



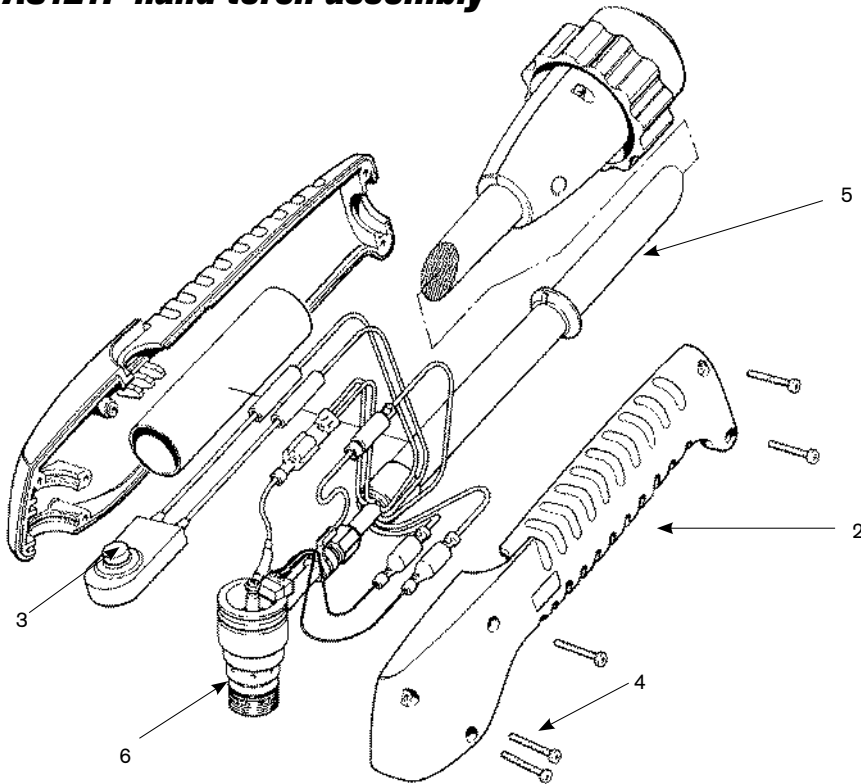
MAX43

For improved performance retrofit with a Duramax HRT retrofit torch (see page 89).

New CopperPlus longer life electrode available for Duramax torches. Please refer to the back cover of the catalog for additional information. CopperPlus part number 220777.

MAX40cs

PAC121P hand torch assembly



Note: PAC torches for the Powermax600, Powermax800, Powermax900, MAX42 and MAX43 will all be obsolete as of January 1st, 2013. Original consumables will remain available for these systems, but only a Duramax retrofit torch assembly will be available. Duramax torches require the use of new consumables. See page 89 or Appendix page 101 for more details.

Assembly – PAC121P torch without quick disconnects

| Part number | Description |
|-------------|---|
| 057176* | MAX40cs hand torch assembly without QD 7.6 m (25') leads |
| 057177* | MAX40cs hand torch assembly without QD 15.2 m (50') leads |
| 5. 029483 | MAX40cs torch leads without QD 7.6 m (25') |
| 5. 029484 | MAX40cs torch leads without QD 15.2 m (50') |
| 2. 001215 | Handle (includes both halves) |
| 3. 005094 | Switch, torch pushbutton |
| 4. 075365 | Screw, #6 x 3/4" (five required) |
| 6. 044016 | O-ring, Buna – N 90 Duro |
| 023452 | MAX43 work lead with clamp, 4.5 m (15') |
| 023415 | MAX40cs work lead with clamp, 4.5 m (15') |
| 023205 | MAX42 work lead with clamp, 4.5 m (15') |

*Assembly includes consumables



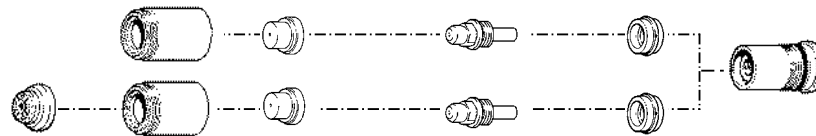
For improved performance retrofit with a Duramax HRT retrofit torch (see page 89).

Hypertherm®

MAX70/100

PAC130 hand torch consumables

Shielded consumables

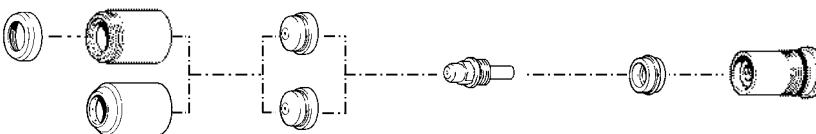


| | Shield | Retaining cap | Nozzle | Electrode (Air) | or | Electrode (Nitrogen) | Swirl ring |
|-------|--------|---------------|--------|-----------------|----|----------------------|------------|
| 40 A | | 020490 | 020396 | 120433 | | 020193 | 020194 |
| 70 A | 020335 | 020336 | 020397 | 120433 | | 020193 | 020194 |
| 80 A | 020335 | 020336 | 020397 | 120433 | | 020193 | 020194 |
| 100 A | 020335 | 020336 | 020337 | 120433 | | 020193 | 020194 |



MAX70

Unshielded* consumables

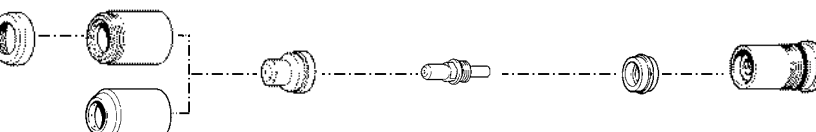


| | Deflector / Retaining cap** or | Retaining cap | Nozzle | Electrode (Air) | or | Electrode (Nitrogen) | Swirl ring |
|-------|--------------------------------|---------------|--------|-----------------|----|----------------------|------------|
| 40 A | 020333 / 020336 | 020184 | 020203 | 120433 | | 020193 | 020194 |
| 70 A | 020333 / 020336 | 020184 | 020345 | 120433 | | 020193 | 020194 |
| 80 A | 020333 / 020336 | 020184 | 020345 | 120433 | | 020193 | 020194 |
| 100 A | 020333 / 020336 | 020184 | 020195 | 120433 | | 020193 | 020194 |



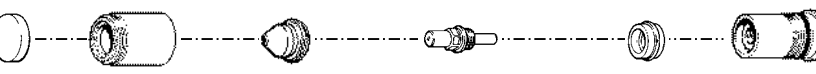
MAX100

Extended consumables



| | Deflector / Retaining cap** or | Retaining cap | Nozzle | Electrode | Swirl ring |
|------------------------------------|--------------------------------|---------------|--------|-----------|------------|
| 70-80 A Air | 020333 / 020336 | 020184 | 020563 | 120444 | 020194 |
| 70-80 A Nitrogen (N ₂) | 020333 / 020336 | 020184 | 020563 | 020866 | 020194 |

Gouging consumables



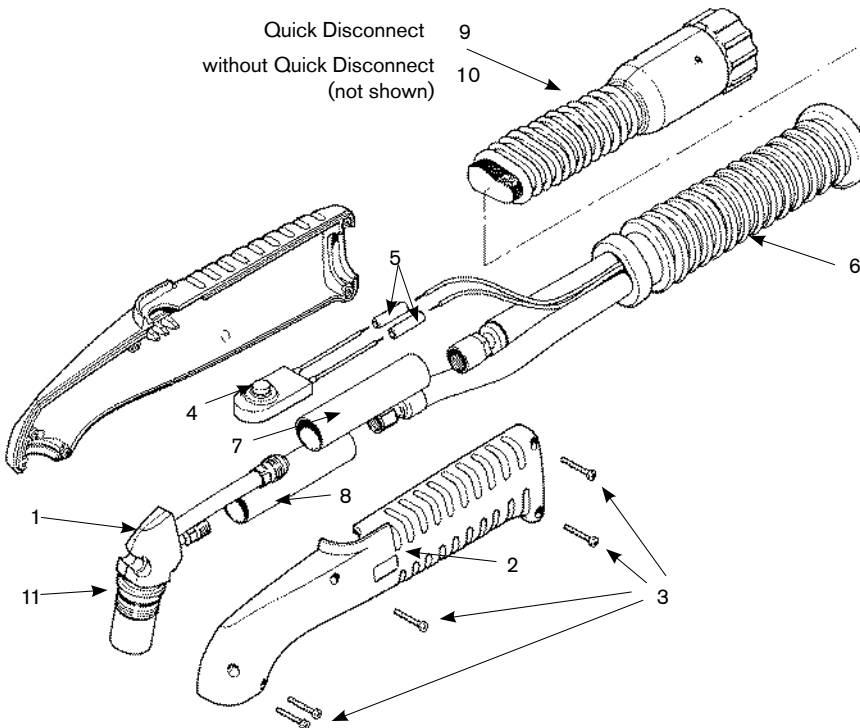
| | Shield | Retaining cap | Nozzle | Electrode | Swirl ring |
|-------|--------|---------------|--------|-----------|------------|
| 70 A | 020712 | 020336 | 020878 | 020744 | 020194 |
| 100 A | 020712 | 020336 | 120459 | 020744 | 020194 |

*In countries following CE standards, unshielded consumables may only be used in mechanized torch applications.

Non-shielded cutting may use a retaining cap **or a combination deflector/retaining cap.

MAX70/100

PAC130 hand torch assembly



Assembly – torch leads with quick disconnects

| Part number | Description |
|-------------|-------------------------------------|
| 059093* | Torch assembly with QD 7.6 m (25') |
| 059094* | Torch assembly with QD 15.2 m (50') |
| 059095* | Torch assembly with QD 22.8 m (75') |

Assembly – torch leads without quick disconnects

| Part number | Description |
|-------------|---|
| 059076 | Torch assembly without QD 7.6 m (25') |
| 059077 | Torch assembly without QD 15.2 m (50') |
| 059079 | Torch assembly without QD 22.8 m (75') |
| 10. 029198 | Leads, hand torch without QD 7.6 m (25') |
| 10. 029199 | Leads, hand torch without QD 15.2 m (50') |
| 10. 029229 | Leads, hand torch without QD 22.8 m (75') |
| 1. 020461 | Torch main body |
| 2. 001214 | Handle (both halves included) |
| 3. 075365 | Screw, #6 x 3/4" (five required) |
| 4. 005094 | Switch, pushbutton, torch |
| 5. 074069 | Splice, butt, insulated (two required) |
| 6. 001217 | Boot |
| 7. 024249 | Negative lead insulator, 1 1/16 x 3 1/2" |
| 8. 020536 | Pilot arc lead insulator, 9/16 x 2 1/2" |
| 9. 029667 | Leads, hand torch with QD 7.6 m (25') |
| 9. 029668 | Leads, hand torch with QD 15.2 m (50') |
| 9. 029669 | Leads, hand torch with QD 22.8 m (75') |
| 11. 026018 | O-ring, Silico |
| 023682 | MAX70 work lead with clamp, 4.5 m (15') |
| 023209 | MAX100 work lead with clamp, 7.6 m (25') |

*Assembly includes consumables.



Hypertherm®

MAX70/100

MAX70/MAX100 machine torch consumables



MAX70



MAX100

Shielded consumables

| | Shield | Retaining cap | Nozzle | Electrode (Air) | Electrode or (Nitrogen) | Swirl ring |
|----------------|--------|---------------|--------|-----------------|-------------------------|------------|
| 40 A | 020492 | 020490 | 020396 | 120433 | 020193 | 020194 |
| 70 A | 020334 | 020336 | 020397 | 120433 | 020193 | 020194 |
| 80 A | 020334 | 020336 | 020397 | 120433 | 020193 | 020194 |
| 100 A | 020334 | 020336 | 020337 | 120433 | 020193 | 020194 |
| 70-100 A Ohmic | | 120966 | | | | |

Unshielded consumables

| | Deflector / Retaining cap* | Retaining cap | Nozzle | Electrode (Air) | Electrode or (Nitrogen) | Swirl ring |
|-------|----------------------------|---------------|--------|-----------------|-------------------------|------------|
| 40 A | 020333 / 020336 | 020184 | 020203 | 120433 | 020193 | 020194 |
| 70 A | 020333 / 020336 | 020184 | 020345 | 120433 | 020193 | 020194 |
| 80 A | 020333 / 020336 | 020184 | 020345 | 120433 | 020193 | 020194 |
| 100 A | 020333 / 020336 | 020184 | 020195 | 120433 | 020193 | 020194 |

Extended consumables

| | Deflector / Retaining cap* or | Retaining cap | Nozzle | Electrode | Swirl ring |
|------------------------------------|-------------------------------|---------------|--------|-----------|------------|
| 70-80 A Air | 020333 / 020336 | 020184 | 020563 | 120444 | 020194 |
| 70-80 A Nitrogen (N ₂) | 020333 / 020336 | 020184 | 020563 | 020866 | 020194 |

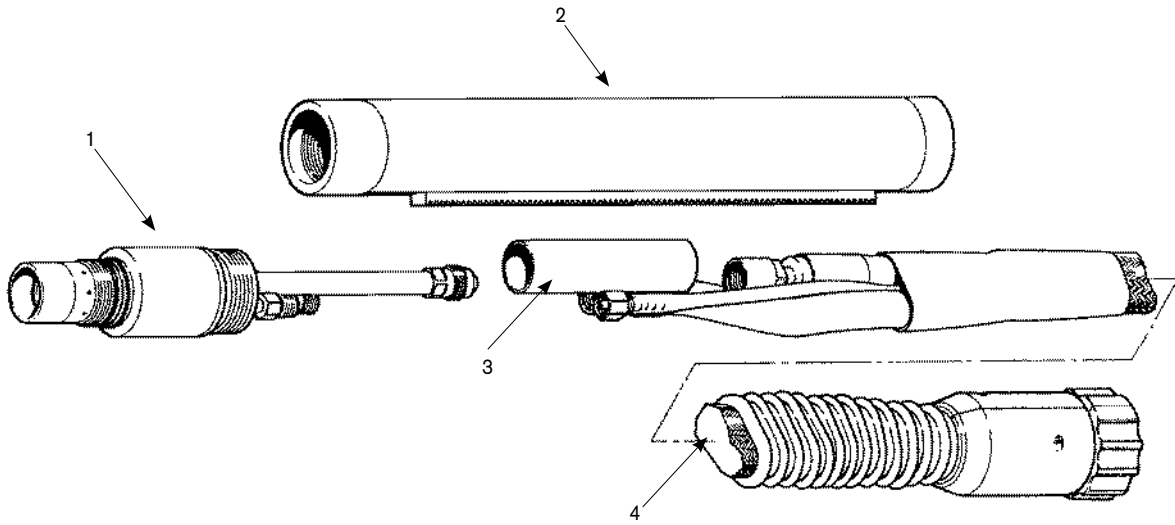
Gouging consumables

| | Shield | Retaining cap | Nozzle | Electrode | Swirl ring |
|-------|--------|---------------|--------|-----------|------------|
| 70 A | 020712 | 020336 | 020878 | 020744 | 020194 |
| 100 A | 020712 | 020336 | 120459 | 020744 | 020194 |

*Non-shielded cutting may use a retaining cap **or** a combination deflector/retaining cap.

MAX70/100

MAX70/MAX100 machine torch assembly



Assembly – torch leads with quick disconnects

| Part number | Description |
|-------------|--|
| 059096 | MAX100 torch assembly with QD 7.6 m (25') |
| 059238 | MAX100 torch assembly with QD with 216 mm (8.5") torch sleeve 7.6 m (25') |
| 059167 | MAX100 International torch assembly with QD 10.7 m (35') |
| 059239 | MAX100 torch assembly with QD with 216 mm (8.5") torch sleeve 10.7 m (35') |
| 059097 | MAX100 torch assembly with QD 15.2 m (50') |
| 059240 | MAX100 torch assembly with QD with 216 mm (8.5") torch sleeve 15.2 m (50') |
| 059098 | MAX100 torch assembly with QD 22.8 m (75') |
| 4. 028524 | Machine torch leads with QD 7.6 m (25') |
| 4. 028527 | Machine torch leads with QD 10.7 m (35') |
| 4. 028525 | Machine torch leads with QD 15.2 m (50') |
| 4. 028526 | Machine torch leads with QD 22.8 m (75') |

Assembly – torch leads without quick disconnects

| Part number | Description |
|-------------|---|
| 4. 028326 | Machine torch leads without QD 7.6 m (25') (not shown) |
| 4. 028330 | Machine torch leads without QD 10.7 m (35') (not shown) |
| 4. 028327 | Machine torch leads without QD 15.2 m (50') (not shown) |
| 4. 028335 | Machine torch leads without QD 22.8 m (75') (not shown) |
| 1. 020201 | Torch main body, 180° |
| 2. 020243 | Torch position sleeve, 260.35 mm (10 1/4") |
| 2. 020270 | Torch position sleeve, 457.2 mm (18") |
| 3. 024173 | Pilot arc lead insulator, 9/1. x 2 1/2" |
| 023682 | MAX70 work lead with clamp, 4.5 m (15') |
| 023209 | MAX100 work lead with clamp, 7.6 m (25') |

*Assembly includes consumables.

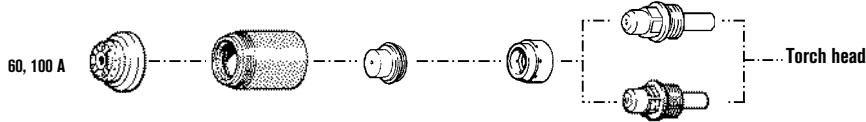
Hypertherm®

MAX100D

PAC160/E hand torch consumables

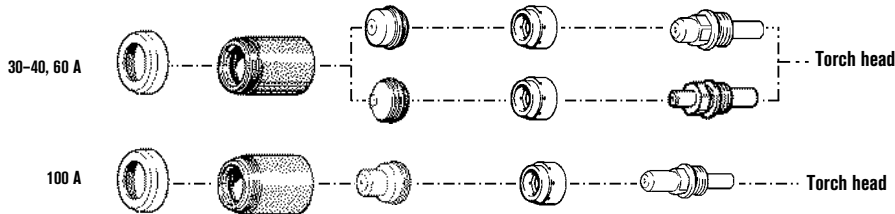


Shielded consumables



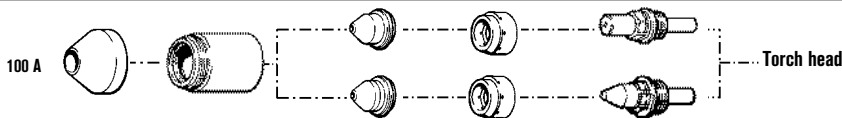
| Metal | Plasma gas | Shield gas | Amps | Shield | Retaining cap | Nozzle | Swirl ring | Electrode |
|---------------------------------------|--------------------------------|-----------------------------------|-------|--------|---------------|--------|------------|-----------|
| Mild steel/ stainless/ aluminum | Nitrogen (N ₂) | Air | 60 A | 020335 | 020756 | 120336 | 020706 | 020193 |
| | Nitrogen (N ₂) | Carbon dioxide (CO ₂) | 60 A | 020335 | 020756 | 120336 | 020706 | 020193 |
| | Nitrogen (N ₂) | Air | 100 A | 020335 | 020846 | 020705 | 020706 | 020193 |
| | Nitrogen (N ₂) | Carbon dioxide (CO ₂) | 100 A | 020335 | 020846 | 020705 | 020706 | 020193 |
| Mild steel/ aluminum | Air | Air | 60 A | 020335 | 020756 | 120336 | 020706 | 120433 |
| | Air | Air | 100 A | 020335 | 020846 | 020705 | 020706 | 120433 |
| Stainless steel/ aluminum | H35 | Nitrogen (N ₂) | 100 A | 020335 | 020846 | 020705 | 020706 | 020193 |
| Stainless steel | H35-Nitrogen (N ₂) | Nitrogen (N ₂) | 100 A | 020335 | 020846 | 020705 | 020706 | 020193 |
| Aluminum | H35 | Air | 100 A | 020335 | 020846 | 020705 | 020706 | 020193 |

Unshielded*/Extended consumables



| Metal | Plasma gas | Shield gas | Amps | Deflector | Retaining cap | Nozzle | Swirl ring | Electrode |
|-------------------------|----------------------------|------------|---------|-----------|---------------|--------|------------|-----------|
| Mild steel/ aluminum | Air | Air | 60 A | 020333 | 020756 | 020922 | 020706 | 120433 |
| | Air | Air | 100 A | 020333 | 020846 | 020754 | 020706 | 120444 |
| Stainless steel | Air | Air | 30-40 A | 020333 | 020756 | 020921 | 020950 | 020951 |
| | Nitrogen (N ₂) | Air | 60 A | 020333 | 020756 | 020922 | 020706 | 020193 |
| | Nitrogen (N ₂) | Air | 100 A | 020333 | 020846 | 020754 | 020706 | 020887 |

Gouging consumables

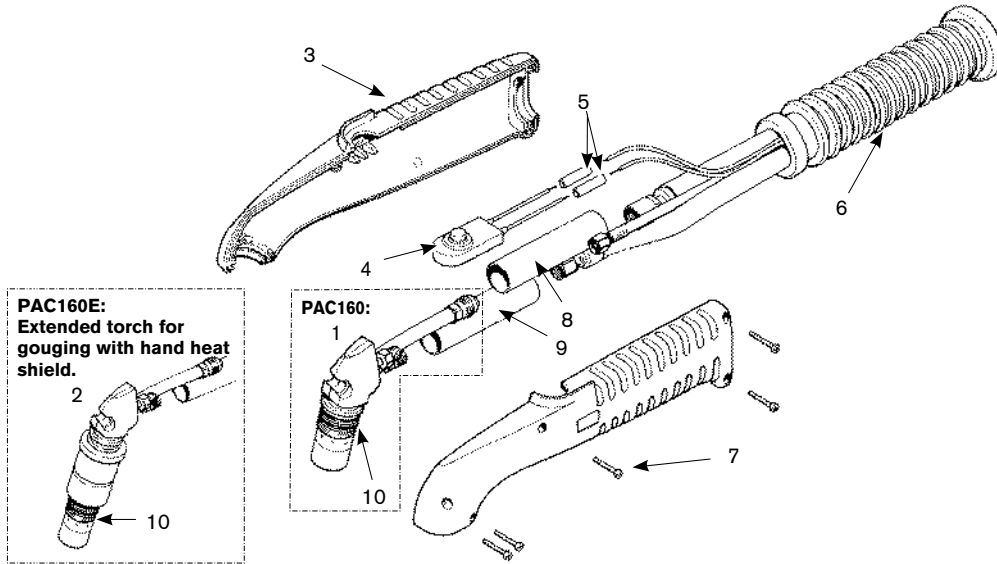


| Metal | Plasma gas | Shield gas | Amps | Shield | Retaining cap | Nozzle | Swirl ring | Electrode |
|-----------------------------------|------------|----------------------------|-------|--------|---------------|--------|------------|-----------|
| Mild steel/stainless/ aluminum | H35 | Air | 100 A | 020712 | 020699 | 020704 | 020750 | 020703 |
| Stainless steel/ aluminum | H35 | Nitrogen (N ₂) | 100 A | 020712 | 020699 | 020704 | 020750 | 020703 |
| Mild steel | Air | Air | 100 A | 020712 | 020699 | 020745 | 020750 | 020744 |

*In countries following CE standards, unshielded consumables may only be used in mechanized torch applications.

MAX100D

PAC160/E hand and gouging torch assemblies



Assembly

| Part number | Description |
|-------------|---|
| 020711 | Hand heat shield (shown at left) – for PAC160E gouging torch only |
| 1. 020761 | PAC160 torch main body |
| 2. 020693 | PAC160E torch main body |
| 3. 001214 | Handle, MAX100D, hand torch (both halves included) |
| 4. 005094 | Switch, pushbutton, torch |
| 5. 074069 | Splice, butt, insulated (two required) |
| 6. 001217 | Boot, MAX100D torch |
| 7. 075365 | Screw, #6 x 3/4" (five required) |
| 8. 020468 | Negative lead insulator, 1 1/16 x 3 1/2" |
| 9. 020536 | Pilot arc lead insulator, 9/16 x 2 1/2" |
| 10. 058019 | O-ring: Viton .801 x .071 (two required) |
| 059124* | PAC160 hand torch assembly with 7.6 m (25') leads |
| 059125* | PAC160 hand torch assembly with 15.2 m (50') leads |
| 059126* | PAC160 hand torch assembly with 22.8 m (75') leads |
| 059112* | PAC160E hand torch assembly with 7.6 m (25') leads |
| 059113* | PAC160E hand torch assembly with 15.2 m (50') leads |
| 059114* | PAC160E hand torch assembly with 22.8 m (75') leads |
| 029730 | MAX100D lead replacement with 7.6 m (25') leads |
| 029731 | MAX100D lead replacement with 15.2 m (50') leads |
| 029732 | MAX100D lead replacement with 22.8 m (75') leads |
| 028558 | MAX100D quick disconnect assembly |
| 023209 | Work lead with clamp, 7.6 m (25') |

*Assembly includes consumables.



PAC160 hand torch

PAC160E gouging torch

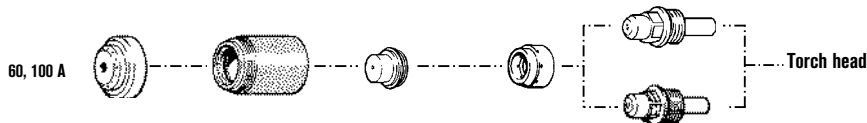
Hypertherm®

MAX100D

MAX100D machine torch consumables

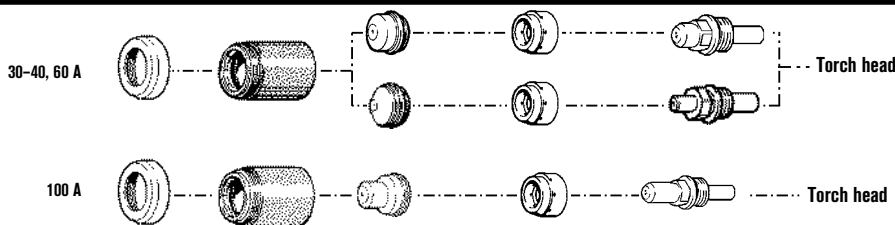


Shielded consumables



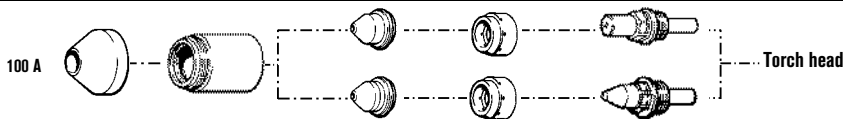
| Metal | Plasma gas | Shield gas | Amps | Shield | Retaining cap | Nozzle | Swirl ring | Electrode |
|---------------------------------------|--------------------------------|-----------------------------------|-------|--------|---------------|--------|------------|-----------|
| Mild steel/ stainless/ aluminum | Nitrogen (N ₂) | Air | 60 A | 020334 | 020756 | 120336 | 020706 | 020193 |
| | Nitrogen (N ₂) | Carbon dioxide (CO ₂) | 60 A | 020334 | 020756 | 120336 | 020706 | 020193 |
| | Nitrogen (N ₂) | Air | 100 A | 020334 | 020846 | 020705 | 020706 | 020193 |
| | Nitrogen (N ₂) | Carbon dioxide (CO ₂) | 100 A | 020334 | 020846 | 020705 | 020706 | 020193 |
| Mild steel/ aluminum | Air | Air | 60 A | 020334 | 020756 | 120336 | 020706 | 120433 |
| | Air | Air | 100 A | 020334 | 020846 | 020705 | 020706 | 120433 |
| Stainless steel/ aluminum | H35 | Nitrogen (N ₂) | 100 A | 020334 | 020846 | 020705 | 020706 | 020193 |
| Stainless steel | H35-Nitrogen (N ₂) | Nitrogen (N ₂) | 100 A | 020334 | 020846 | 020705 | 020706 | 020193 |
| Aluminum | H35 | Air | 100 A | 020334 | 020846 | 020705 | 020706 | 020193 |

Unshielded/Extended consumables



| Metal | Plasma gas | Shield gas | Amps | Deflector | Retaining cap | Nozzle | Swirl ring | Electrode |
|-------------------------|----------------------------|------------|---------|-----------|---------------|--------|------------|-----------|
| Mild steel/ aluminum | Air | Air | 60 A | 020333 | 020756 | 020922 | 020706 | 120433 |
| | Air | Air | 100 A | 020333 | 020846 | 020754 | 020706 | 120444 |
| Stainless steel | Air | Air | 30-40 A | 020333 | 020756 | 020921 | 020950 | 020951 |
| | Nitrogen (N ₂) | Air | 60 A | 020333 | 020756 | 020922 | 020706 | 020193 |
| | Nitrogen (N ₂) | Air | 100 A | 020333 | 020846 | 020754 | 020706 | 020887 |

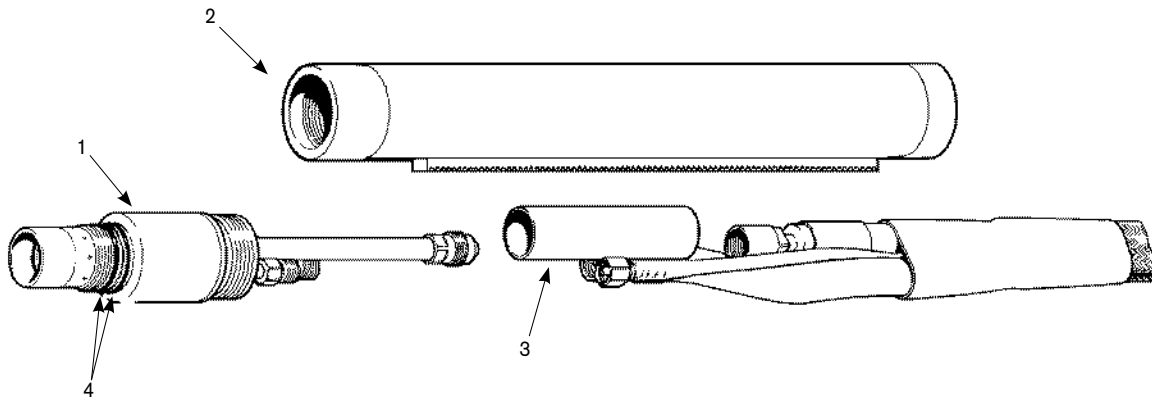
Gouging consumables



| Metal | Plasma gas | Shield gas | Amps | Shield | Retaining cap | Nozzle | Swirl ring | Electrode |
|-----------------------------------|------------|----------------------------|-------|--------|---------------|--------|------------|-----------|
| Mild steel/stainless/ aluminum | H35 | Air | 100 A | 020712 | 020699 | 020704 | 020750 | 020703 |
| Stainless steel/ aluminum | H35 | Nitrogen (N ₂) | 100 A | 020712 | 020699 | 020704 | 020750 | 020703 |
| Mild steel | Air | Air | 100 A | 020712 | 020699 | 020745 | 020750 | 020744 |

MAX100D

MAX100D machine torch assembly



Assembly

| Part number | Description |
|-------------|--|
| 028596* | MAX100D machine torch assembly |
| 1. 020713 | MAX100D machine torch main body |
| 2. 020243 | MAX100D torch positioning sleeve |
| 3. 020468 | Negative lead insulator, 1 1/16 x 3 1/2" |
| 4. 058019 | O-ring: Viton .801 x .071 (two required) |
| 059115* | MAX100D machine torch assembly with 7.6 m (25') leads |
| 059116* | MAX100D machine torch assembly with 15.2 m (50') leads |
| 059117* | MAX100D machine torch assembly with 22.8 m (75') leads |
| 028555 | MAX100D machine torch leads, 7.6 m (25') |
| 028556 | MAX100D machine torch leads, 15.2 m (50') |
| 028557 | MAX100D machine torch leads, 22.8 m (75') |
| 028910 | MAX100D quick disconnect assembly |
| 002190 | Boot, 80/100 amp quick disconnect |
| 023209 | Work lead with clamp, 7.6 m (25') |

*Assembly includes consumables.

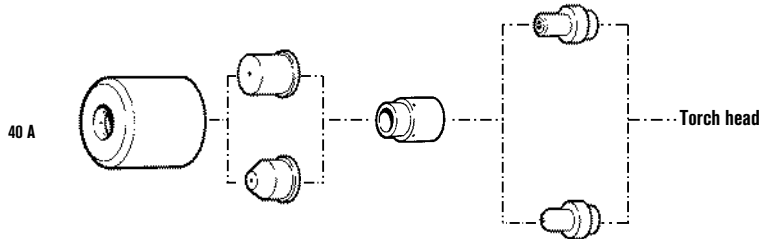


Hypertherm®

HT40/HT40C

HT40/HT40C machine torch consumables

Standard consumables



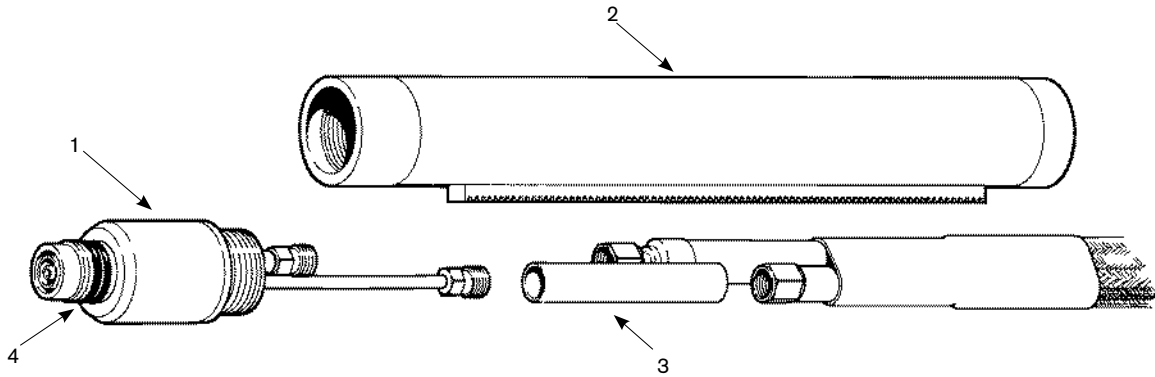
| | Retaining cap | Nozzle | Swirl ring | Electrode |
|--|---------------|--------|------------|-----------|
| 40 A Air | 020104 | 020102 | 020101 | 020103 |
| 40 A Nitrogen (N ₂) | 020104 | 020102 | 020101 | 020167 |
| Pipe saddle Air | 020104 | 020131 | 020101 | 020103 |
| Pipe saddle Nitrogen (N ₂) | 020104 | 020131 | 020101 | 020167 |



HT40C

HT40/HT40C

Machine torch assembly



Assembly

| | Part number | Description |
|----|-------------|---|
| | 028287* | HT40 machine torch assembly |
| 1. | 020114 | Torch main body |
| 2. | 020231 | Torch position sleeve, 273.05 mm (10-3/4") (included in 028287) |
| 2. | 020269 | Torch position sleeve, 457.2 mm (18") |
| 3. | 004302 | Lead insulator |
| 4. | 044016 | O-ring, Buna – N 90 Duro |
| | 028288 | Torch leads, 7.6 m (25') |
| | 028289 | Torch leads, 10.7 m (35') |
| | 028290 | Torch leads, 15.2 m (50') |
| | 023261 | Work lead without clamp 7.6 m (25') |

*Assembly includes consumables.

Hypertherm®

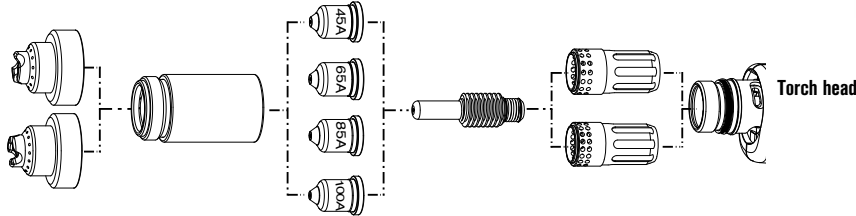
Duramax™ HRT/HRTs retrofit torch

For Powermax1000/1250/1650

HRT/HRTs hand torch consumables

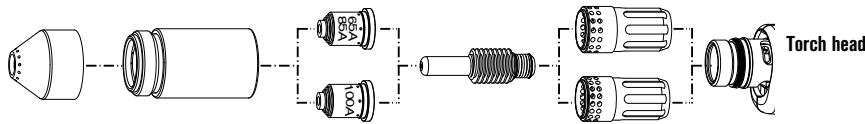


Drag-cutting consumables



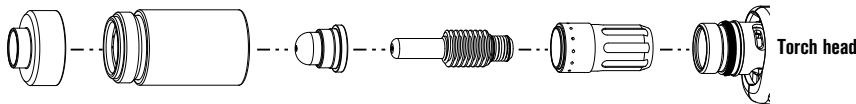
| | Shield | Retaining cap | Nozzle | Electrode | Swirl ring |
|-------|---------|---------------|---------|-----------|------------|
| 45 A | 220818* | 220854 | 220941* | 220842* | 220857 |
| 65 A | 220818* | 220854 | 220819* | 220842* | 220857 |
| 85 A | 220818* | 220854 | 220816* | 220842* | 220857 |
| 105 A | 220992* | 220854 | 220990* | 220842* | 220994 |

Gouging consumables



| | Shield | Retaining cap | Nozzle | Electrode | Swirl ring |
|-----------|--------|---------------|---------|-----------|------------|
| 65 A/85 A | 220798 | 220854 | 220797* | 220842* | 220857 |
| 105 A | 220798 | 220854 | 220991* | 220842* | 220994 |

FineCut consumables



| | Shield/Deflector | Retaining cap | Nozzle | Electrode | Swirl ring |
|------|------------------|---------------|---------|-----------|------------|
| 45 A | 220931 | 220854 | 220930* | 220842* | 220947 |

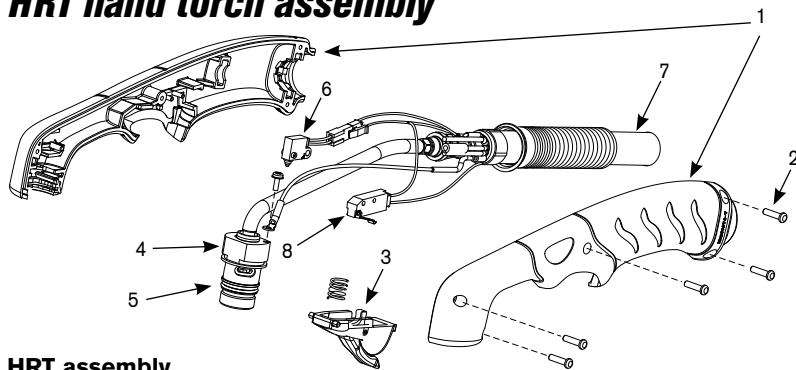
All-in-one and FineCut kits are available, see pages 25–26 or visit: www.hypertherm.com/consumablekits.

*Consumables available in a bulk package option, see page 27 for bulk package information.

New CopperPlus longer life electrode available for Duramax torches. Please refer to the back cover of the catalog for additional information. CopperPlus part number 220777.

Duramax™ HRT

HRT hand torch assembly



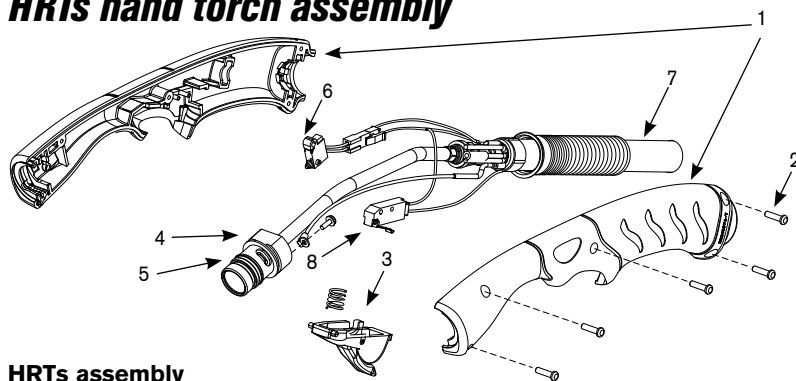
HRT assembly

| Part number | Description |
|-------------|---|
| 228788 | HRT hand torch assembly with 7.6 m (25') lead |
| 228789 | HRT hand Torch Assembly with 15.2 m (50') lead |
| 8. | 005252 Trigger start switch |
| 5. | 058519 O-ring |
| | 075504 Pilot terminal screw |
| 2. | 075714* Handle screws, #4 x 1/2 slotted TORX pan head, S/B |
| 1. | 228954 Kit: Duramax 75°/ HRT Torch handle replacement |
| 6. | 228719 Kit: Duramax 75°/HRT Cap-sensor switch replacement |
| 3. | 228721 Kit: Duramax 15°/Duramax 75°/HRT/HRTs Safety trigger with spring replacement |
| 7. | 228952* Kit: HRT/HRTs Torch lead replacement, 7.6 m (25'), coupler with 12.7 mm (1/2") threads |
| | 228953* Kit: HRT/HRTs Torch lead replacement, 15.2 m (50'), coupler with 12.7 mm (1/2") threads |
| 4. | 228792* Kit: HRT Torch main body replacement, coupler with 9.5 mm (3/8") threads |
| | 228950* Kit: HRT Torch main body replacement, coupler with 12.7 mm (1/2") threads |

*Before purchasing this part check the torch built date.

Duramax™ HRTs

HRTs hand torch assembly



HRTs assembly

| Part number | Description |
|-------------|---|
| 228807 | HRTs hand torch assembly with 7.6 m (25') lead |
| 228808 | HRTs hand Torch Assembly with 15.2 m (50') lead |
| 8. | 005252 Trigger start switch |
| 5. | 058519 O-ring |
| | 075504 Pilot terminal screw |
| 2. | 075714* Handle screws, #4 x 1/2 slotted TORX pan head, S/B |
| 1. | 228955 Kit: Duramax 15°/ HRTs Torch handle replacement |
| 6. | 228109 Kit: Duramax 15°/HRTs Cap-sensor switch replacement |
| 3. | 228721 Kit: Duramax 15°/Duramax 75°/HRT/HRTs Safety trigger with spring replacement |
| 7. | 228952* Kit: HRT/HRTs Torch lead replacement, 7.6 m (25'), coupler with 12.7 mm (1/2") threads |
| | 228953* Kit: HRT/HRTs Torch lead replacement, 15.2 m (50'), coupler with 12.7 mm (1/2") threads |
| 4. | 228809* Kit: HRTs Torch main body replacement, coupler with 9.5 mm (3/8") threads |
| | 228951* Kit: HRTs Torch main body replacement, coupler with 12.7 mm (1/2") threads |

*Before purchasing this part check the torch built date.

Hypertherm®

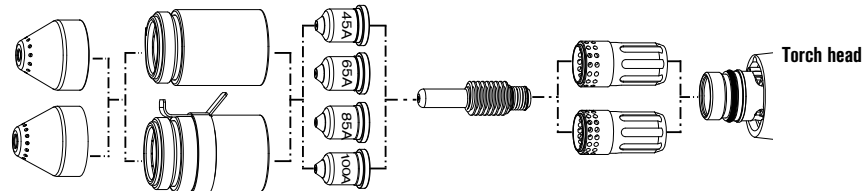
Duramax™ MRT retrofit torch

For Powermax1000/1250/1650

MRT machine torch consumables

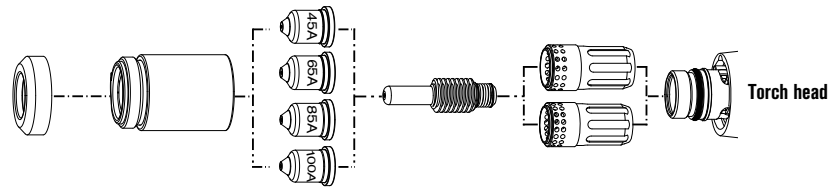


Mechanized consumables



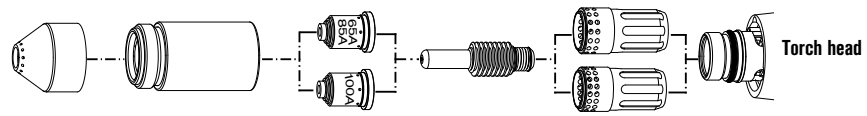
| | Shield | Retaining cap | Nozzle | Electrode | Swirl ring |
|-------|---------|---------------|---------|-----------|------------|
| 45 A | 220817* | 220854 | 220941* | 220842* | 220857 |
| 65 A | 220817* | 220854 | 220819* | 220842* | 220857 |
| 85 A | 220817* | 220854 | 220816* | 220842* | 220857 |
| 105 A | 220993* | 220854 | 220990* | 220842* | 220994 |
| Ohmic | | 220953 | | | |

Unshielded consumables



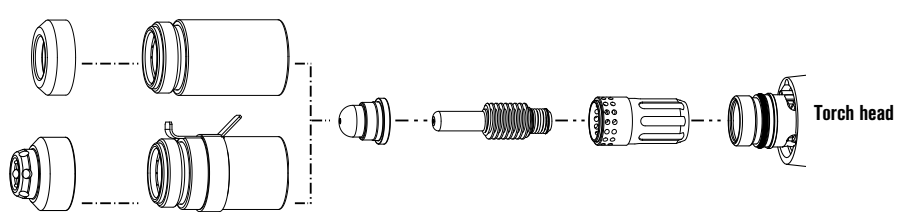
| | Shield/Deflector | Retaining cap | Nozzle | Electrode | Swirl ring |
|-------|------------------|---------------|---------|-----------|------------|
| 45 A | 220955 | 220854 | 220941* | 220842* | 220857 |
| 65 A | 220955 | 220854 | 220819* | 220842* | 220857 |
| 85 A | 220955 | 220854 | 220816* | 220842* | 220857 |
| 105 A | 220955 | 220854 | 220990* | 220842* | 220994 |

Gouging consumables



| | Shield | Retaining cap | Nozzle | Electrode | Swirl ring |
|-----------|--------|---------------|---------|-----------|------------|
| 65 A/85 A | 220798 | 220854 | 220797* | 220842* | 220857 |
| 105 A | 220798 | 220854 | 220991* | 220842* | 220994 |

FineCut consumables



| | Shield/Deflector | Retaining cap | Nozzle | Electrode | Swirl ring |
|-------|------------------|---------------|---------|-----------|------------|
| 45 A | 220955 | 220854 | 220930* | 220842* | 220857 |
| Ohmic | 220948 | 220953 | | | |

All-in-one and FineCut kits are available, see pages 25–26 or visit: www.hypertherm.com/consumablekits.

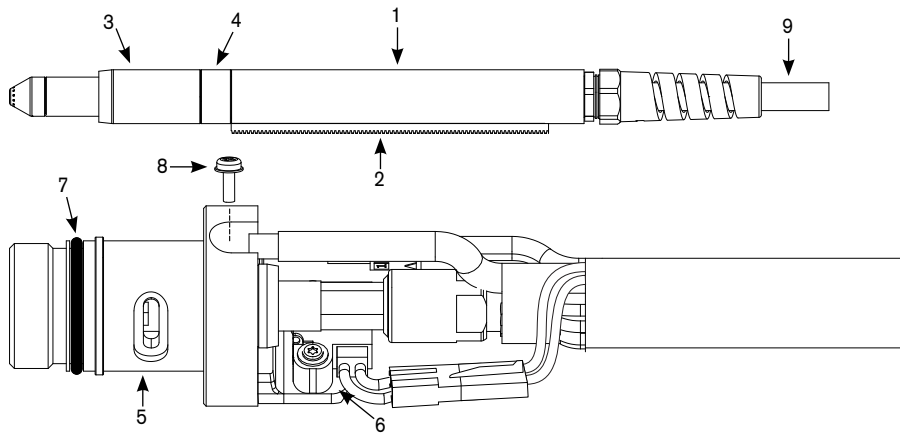
*Consumables available in a bulk package option, see page 27 for bulk package information.

New CopperPlus longer life electrode available for Duramax torches. Please refer to the back cover of the catalog for additional information. CopperPlus part number 220777.

Section 4: Retrofit torches

Duramax™ MRT

MRT machine torch assembly



MRT assembly

| Part number | Description |
|-------------|--|
| 228790* | MRT machine torch assembly with 7.6 m (25') lead |
| 228791* | MRT machine torch assembly with 15.2 m (50') lead |
| 1. 228737 | Kit: M65/M85/MRT positioning sleeve |
| 2. 228738 | Kit: M65/M85/MRT removable gear rack |
| 3. 228735 | Kit: M65/M65m/M85/M85m/MRT front mounting sleeve |
| 4. 228736 | Kit: M65/M65m/M85/M85m/MRT adapter ring (coupler) |
| 5. 228793 | Kit: MRT torch main body replacement |
| 6. 228720 | Kit: Cap-sensor switch replacement |
| 7. 058519 | O-ring |
| 8. 075504 | Pilot terminal screw |
| 9. 228786 | Kit: MRT torch lead replacement, 7.6 m (25') |
| 9. 228787 | Kit: MRT torch lead replacement, 15.2 m (50') |
| 128650 | Remote start pendant for machine torch, 7.6 m (25') |
| 128651 | Remote start pendant for machine torch, 15.2 m (50') |
| 128772 | Kit: ETR connector repair (regional repair centers only) |

*Assembly includes a variety of Duramax consumables.



Hypertherm®

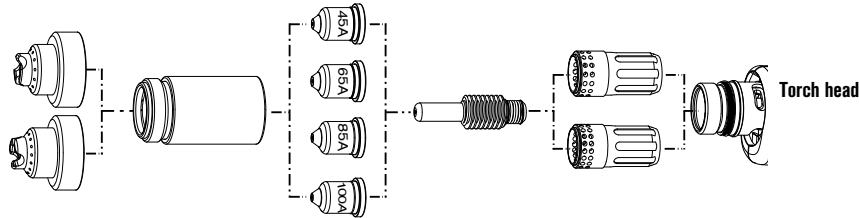
Duramax™ HRT/HRTs retrofit torch

For Powermax600/800/900 and MAX42/43

HRT/HRTs hand torch consumables

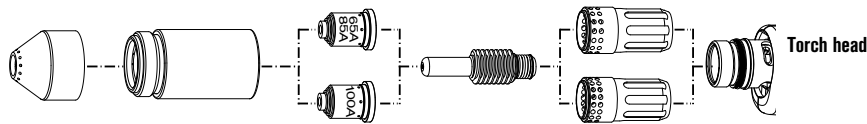


Drag-cutting consumables



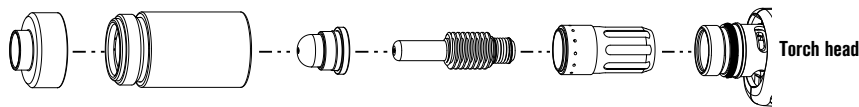
| | Shield | Retaining cap | Nozzle | Electrode | Swirl ring | |
|-----------|---------|---------------|---------|-----------|------------|------------|
| 40 A-55 A | 220818* | 220854 | 220941* | 220842* | 220857 | Torch head |

Gouging consumables



| | Shield | Retaining cap | Nozzle | Electrode | Swirl ring | |
|-----------|--------|---------------|---------|-----------|------------|------------|
| 40 A-85 A | 220798 | 220854 | 220797* | 220842* | 220857 | Torch head |

FineCut consumables



| | Shield/Deflector | Retaining cap | Nozzle | Electrode | Swirl ring | |
|-----------|------------------|---------------|---------|-----------|------------|------------|
| 40 A-45 A | 220931 | 220854 | 220930* | 220842* | 220947 | Torch head |

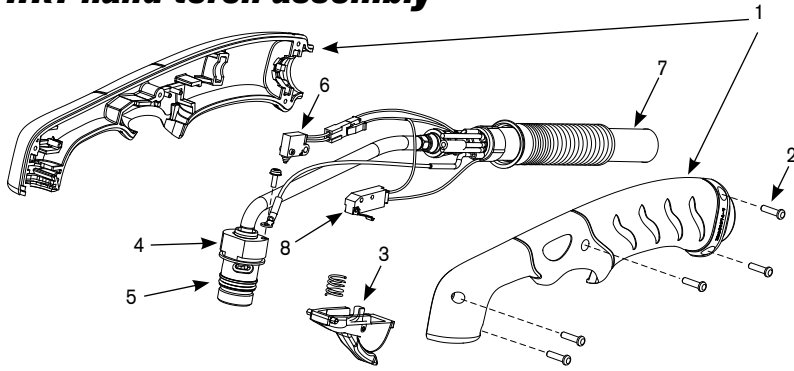
All-in-one and FineCut kits are available, see pages 25–26 or visit: www.hypertherm.com/consumablekits.

*Consumables available in a bulk package option, see page 27 for bulk package information.

New CopperPlus longer life electrode available for Duramax torches. Please refer to the back cover of the catalog for additional information. CopperPlus part number 220777.

Duramax™ HRT

HRT hand torch assembly



HRT assembly

| Part number | Description |
|-------------|--|
| 228916* | HRT hand torch assembly with 7.6 m (25') lead |
| 228917* | HRT hand torch assembly with 15.2 m (50') lead |
| 228918* | HRT hand torch assembly with 7.6 m (25') lead, without quick disconnect |
| 228919* | HRT hand torch assembly with 15.2 m (50') lead, without quick disconnect |
| 1. 228954 | Kit: Duramax 75°/HRT Torch handle replacement |
| 2. 075714 | Handle screws, #4 x 1/2 slotted TORX pan head, S/B |
| 3. 228721 | Kit: Duramax 75°/Duramax 15°/HRT (spring and trigger assembly) |
| 4. 228950 | Kit: HRT Torch main body replacement |
| 5. 058519 | O-ring |
| 6. 228719 | Kit: Duramax 75°/HRT Cap-sensor switch replacement |
| 7. 228924 | Kit: HRT Torch lead replacement, 7.6 m (25') |
| 7. 228925 | Kit: HRT Torch lead replacement, 15.2 m (50') |
| 7. 228926 | Kit: HRT Torch lead replacement, 7.6 m (25'), without quick disconnect |
| 7. 228927 | Kit: HRT Torch lead replacement, 15.2 m (50'), without quick disconnect |
| 8. 005252 | Trigger start switch |
| 128926 | Kit: Quick disconnect repair (regional repair centers only) |

*Assembly includes a variety of Duramax consumables.

Hypertherm®

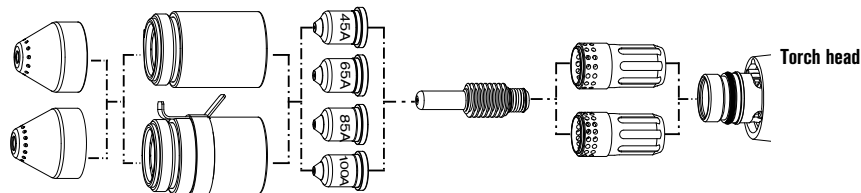
Duramax™ MRT retrofit torch

For Powermax600/800/900 and MAX42/43

MRT machine torch consumables

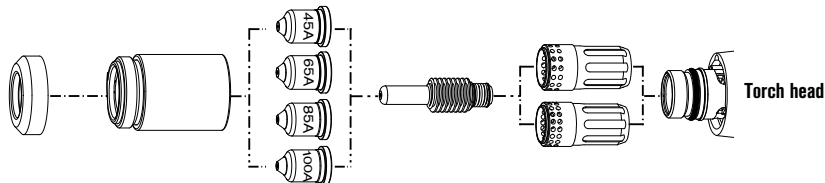


Mechanized consumables



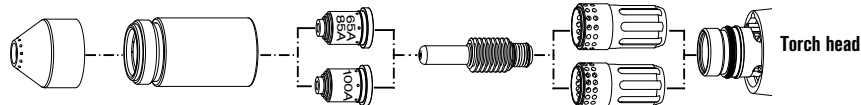
| | Shield | Retaining cap | Nozzle | Electrode | Swirl ring |
|-----------|---------|---------------|---------|-----------|------------|
| 40 A-55 A | 220817* | 220854 | 220941* | 220842* | 220857 |
| Ohmic | | 220953 | | | |

Unshielded consumables



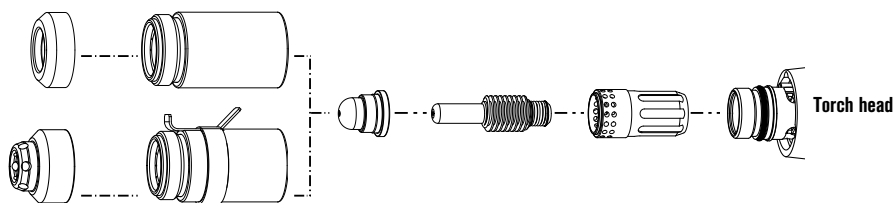
| | Shield/Deflector | Retaining cap | Nozzle | Electrode | Swirl ring |
|-----------|------------------|---------------|---------|-----------|------------|
| 40 A-55 A | 220955 | 220854 | 220941* | 220842* | 220857 |

Gouging consumables



| | Shield | Retaining cap | Nozzle | Electrode | Swirl ring |
|-----------|--------|---------------|---------|-----------|------------|
| 40 A-55 A | 220798 | 220854 | 220797* | 220842* | 220857 |

FineCut consumables



| | Shield/Deflector | Retaining cap | Nozzle | Electrode | Swirl ring |
|-----------|------------------|---------------|---------|-----------|------------|
| 40 A-45 A | 220955 | 220854 | 220930* | 220842* | 220857 |
| Ohmic | 220948 | 220953 | | | |

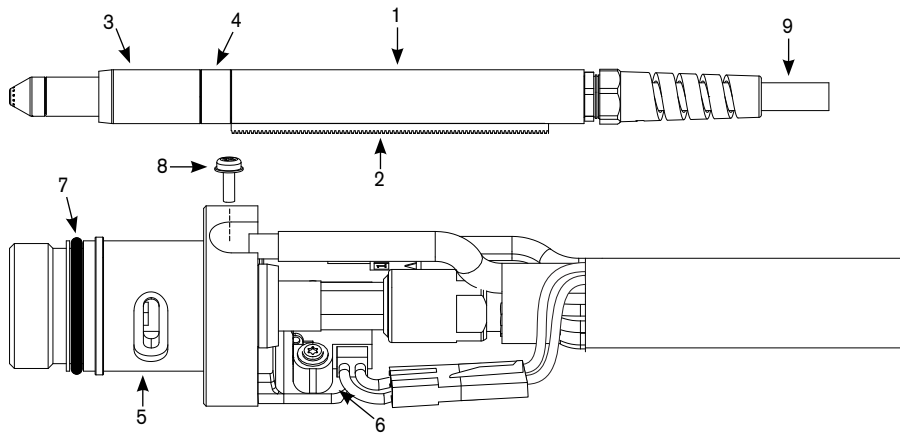
All-in-one and FineCut kits are available, see pages 25–26 or visit: www.hypertherm.com/consumablekits.

*Consumables available in a bulk package option, see page 27 for bulk package information.

New CopperPlus longer life electrode available for Duramax torches. Please refer to the back cover of the catalog for additional information. CopperPlus part number 220777.

Duramax™ MRT

MRT machine torch assembly



MRT assembly

| Part number | Description |
|-------------|---|
| 228920* | MRT machine torch assembly with 7.6 m (25') lead |
| 228921* | MRT machine torch assembly with 15.2 m (50') lead |
| 228922* | MRT machine torch assembly with 7.6 m (25') lead, without quick disconnect |
| 228923* | MRT machine torch assembly with 15.2 m (50') lead, without quick disconnect |
| 1. 228737 | Kit: Duramax 180°/MRT positioning sleeve |
| 2. 228738 | Kit: Duramax 180°/MRT removable gear rack |
| 3. 228735 | Kit: Duramax 180°/Duramax 180° mini/MRT front mounting sleeve |
| 4. 228736 | Kit: Duramax 180°/Duramax 180° mini/MRT adapter ring (coupler) |
| 5. 228793 | Kit: MRT torch main body replacement |
| 6. 228720 | Kit: Cap-sensor switch replacement |
| 7. 058519 | O-ring |
| 8. 075504 | Pilot terminal screw |
| 9. 228928 | Kit: MRT torch lead replacement, 7.6 m (25') |
| 9. 228929 | Kit: MRT torch lead replacement, 15.2 m (50') |
| 9. 228930 | Kit: MRT torch lead replacement, 7.6 m (25'), without quick disconnect |
| 9. 228931 | Kit: MRT torch lead replacement, 15.2 m (50'), without quick disconnect |
| 128650 | Remote start pendant for machine torch, 7.6 m (25') |
| 128651 | Remote start pendant for machine torch, 15.2 m (50') |
| 128926 | Kit: Quick disconnect repair (regional repair centers only) |

*Assembly includes a variety of Duramax consumables.



Hypertherm®

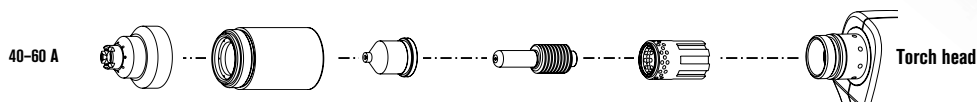
RT60 retrofit torch

For Powermax600/800/900, MAX42/43

RT60 hand torch consumables

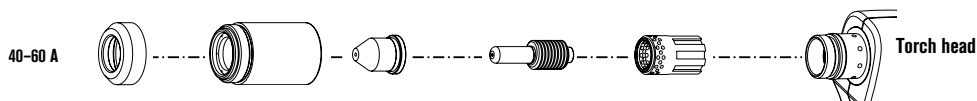


Shielded consumables



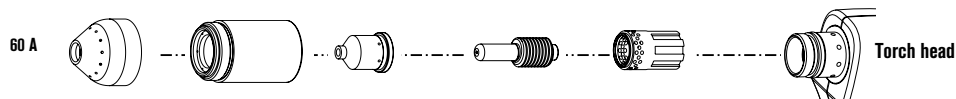
| | Shield | Retaining cap | Nozzle | Electrode | Swirl ring |
|------|--------|---------------|---------|-----------|------------|
| 40 A | 120929 | 120928 | 120932* | 120926* | 120925 |
| 60 A | 120929 | 120928 | 120931* | 120926* | 120925 |

Unshielded** consumables



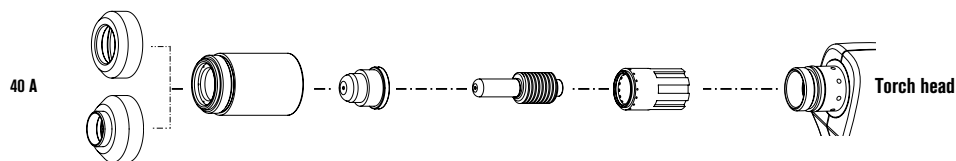
| | Deflector | Retaining cap | Nozzle | Electrode | Swirl ring |
|------|-----------|---------------|--------|-----------|------------|
| 40 A | 120979 | 120928 | 220006 | 120926* | 120925 |
| 60 A | 120979 | 120928 | 220007 | 120926* | 120925 |

Gouging consumables



| | Shield | Retaining cap | Nozzle | Electrode | Swirl ring |
|------|--------|---------------|--------|-----------|------------|
| 60 A | 120977 | 120928 | 220059 | 120926* | 120925 |

FineCut consumables



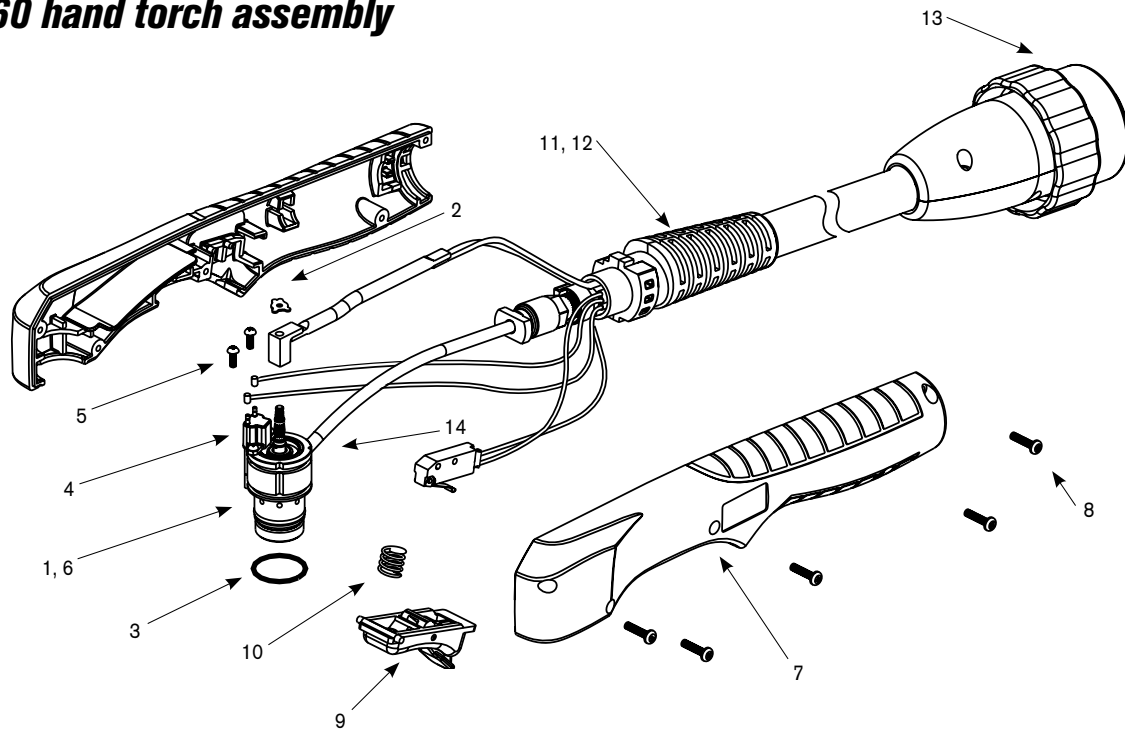
| | Deflector | Retaining cap | Nozzle | Electrode | Swirl ring |
|------------|-----------|---------------|--------|-----------|------------|
| 40 A | 120979 | 120928 | 220329 | 120926* | 220327 |
| 40 A CE*** | 220325 | 120928 | 220329 | 120926* | 220327 |

**In countries following CE standards, unshielded consumables may only be used in mechanized torch applications.

***CE shield for use in countries requiring CE, CCC, GOST marks.

RT60

RT60 hand torch assembly



Assembly

| Part number | Description |
|-------------|---|
| 1. 128564 | Torch main body |
| 2. 027889 | Retaining clip |
| 3. 058519 | O-ring |
| 4. 128639 | Kit: cap-off sensor replacement |
| 5. 075571 | Cap-off sensor screws |
| 6. 128521 | Kit: torch head repair (does not include head, includes screws) |
| 7. 128644 | Kit: handle |
| 8. 075586 | Handle screws |
| 9. 002244 | Safety trigger |
| 10. 027254 | Spring |
| 13. 128926 | Kit: RT60/RT60M quick disconnect repair |
| 14. 128642 | Kit: Start switch replacement |

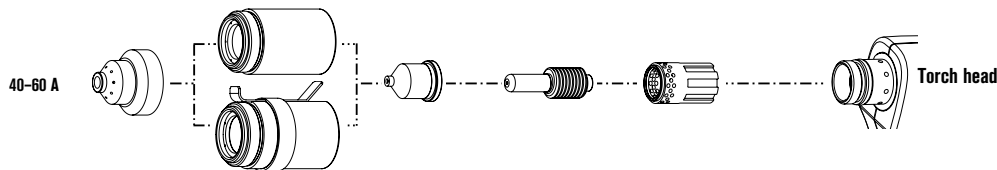
Hypertherm®

RT60M retrofit torch

For Powermax600/800/900, MAX42/43

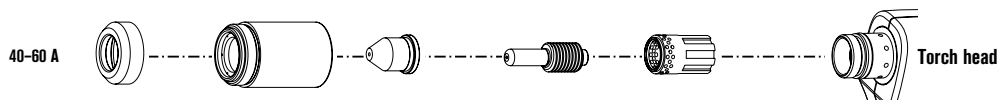
RT60M machine torch consumables

Shielded consumables



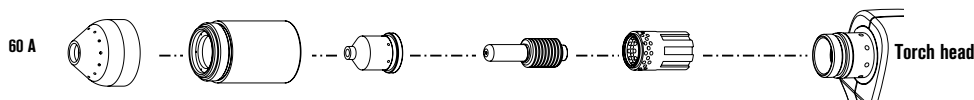
| | Shield | Retaining cap | Nozzle | Electrode | Swirl ring |
|-------|--------|---------------|--------|-----------|------------|
| 40 A | 120930 | 120928 | 120932 | 120926* | 120925 |
| 60 A | 120930 | 120928 | 120931 | 120926* | 120925 |
| Ohmic | | 220061 | | | |

Unshielded consumables



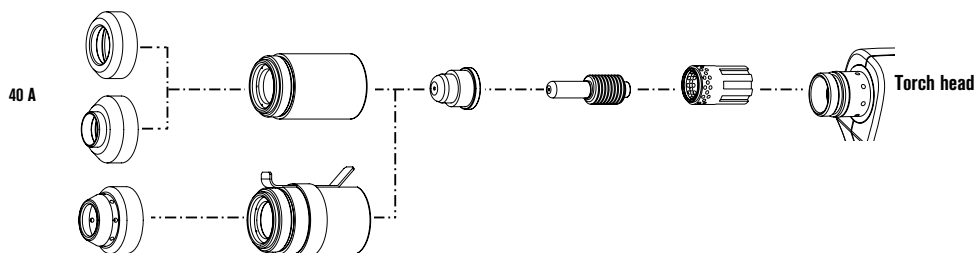
| | Deflector | Retaining cap | Nozzle | Electrode | Swirl ring |
|------|-----------|---------------|---------|-----------|------------|
| 40 A | 120979 | 120928 | 220006* | 120926* | 120925 |
| 60 A | 120979 | 120928 | 220007* | 120926* | 120925 |

Gouging consumables



| | Shield | Retaining cap | Nozzle | Electrode | Swirl ring |
|------|--------|---------------|--------|-----------|------------|
| 60 A | 120977 | 120928 | 220059 | 120926* | 120925 |

FineCut consumables



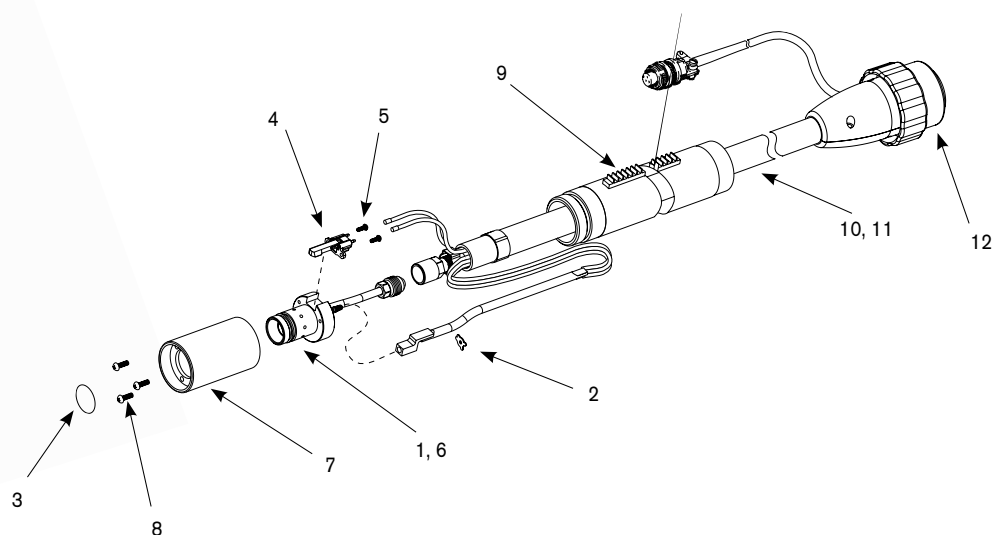
| | Shield / Deflector | Retaining cap | Nozzle | Electrode | Swirl ring |
|---------|--------------------|---------------|--------|-----------|------------|
| 40 A | 120979 | 120928 | 220329 | 120926* | 120925 |
| 40 A CE | 220325 | 120928 | 220329 | 120926* | 120925 |
| Ohmic | 220404 | 220061 | | | |

*Consumables available in a bulk package option, see page 27 for bulk package information.



RT60M

RT60M machine torch assembly



Assembly

| Part number | Description |
|-------------|---|
| 2. 027889 | Retaining clip |
| 3. 058519 | O-ring |
| 4. 128639 | Kit: cap-off sensor replacement |
| 5. 075571 | Cap-off sensor screws |
| 6. 128521 | Kit: torch head repair (does not include head, includes screws) |
| 7. 128643 | Kit: torch mounting sleeve replacement |
| 8. 075618 | Torch mounting screws |
| 9. 128710 | Torch positioning sleeve |
| 12. 128926 | Kit: RT60/RT60M quick disconnect repair |
| 128645 | Torch mounting kit (for reassembly after installation) |

Hypertherm®

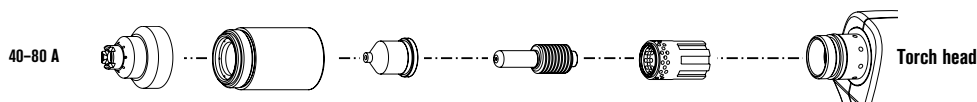
RT80 retrofit torch

For Powermax1100

RT80 hand torch consumables

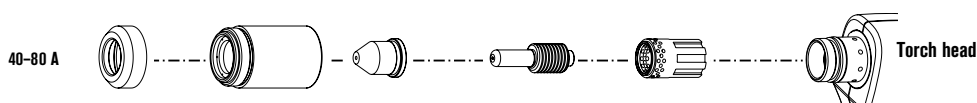


Shielded consumables



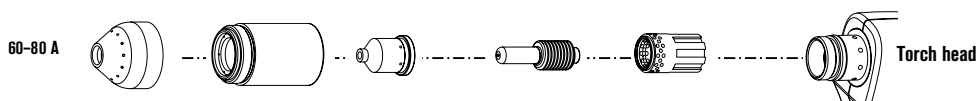
| | Shield | Retaining cap | Nozzle | Electrode | Swirl ring |
|------|--------|---------------|---------|-----------|------------|
| 40 A | 120929 | 120928 | 120932* | 120926* | 120925 |
| 60 A | 120929 | 120928 | 120931* | 120926* | 120925 |
| 80 A | 120929 | 120928 | 120927* | 120926* | 120925 |

Unshielded** consumables



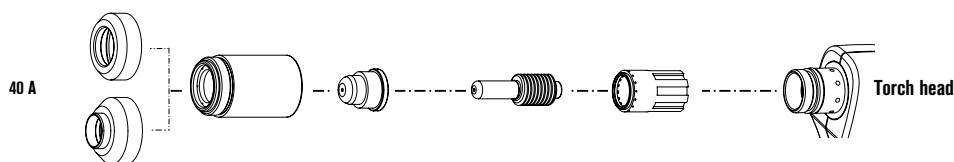
| | Deflector | Retaining cap | Nozzle | Electrode | Swirl ring |
|------|-----------|---------------|--------|-----------|------------|
| 40 A | 120979 | 120928 | 220006 | 120926* | 120925 |
| 60 A | 120979 | 120928 | 220007 | 120926* | 120925 |
| 80 A | 120979 | 120928 | 120980 | 120926* | 120925 |

Gouging consumables



| | Shield | Retaining cap | Nozzle | Electrode | Swirl ring |
|---------|--------|---------------|--------|-----------|------------|
| 60-80 A | 120977 | 120928 | 220059 | 120926* | 120925 |

FineCut consumables



| | Deflector | Retaining cap | Nozzle | Electrode | Swirl ring |
|------------|-----------|---------------|--------|-----------|------------|
| 40 A | 120979 | 120928 | 220329 | 120926* | 220327 |
| 40 A CE*** | 220325 | 120928 | 220329 | 120926* | 220327 |

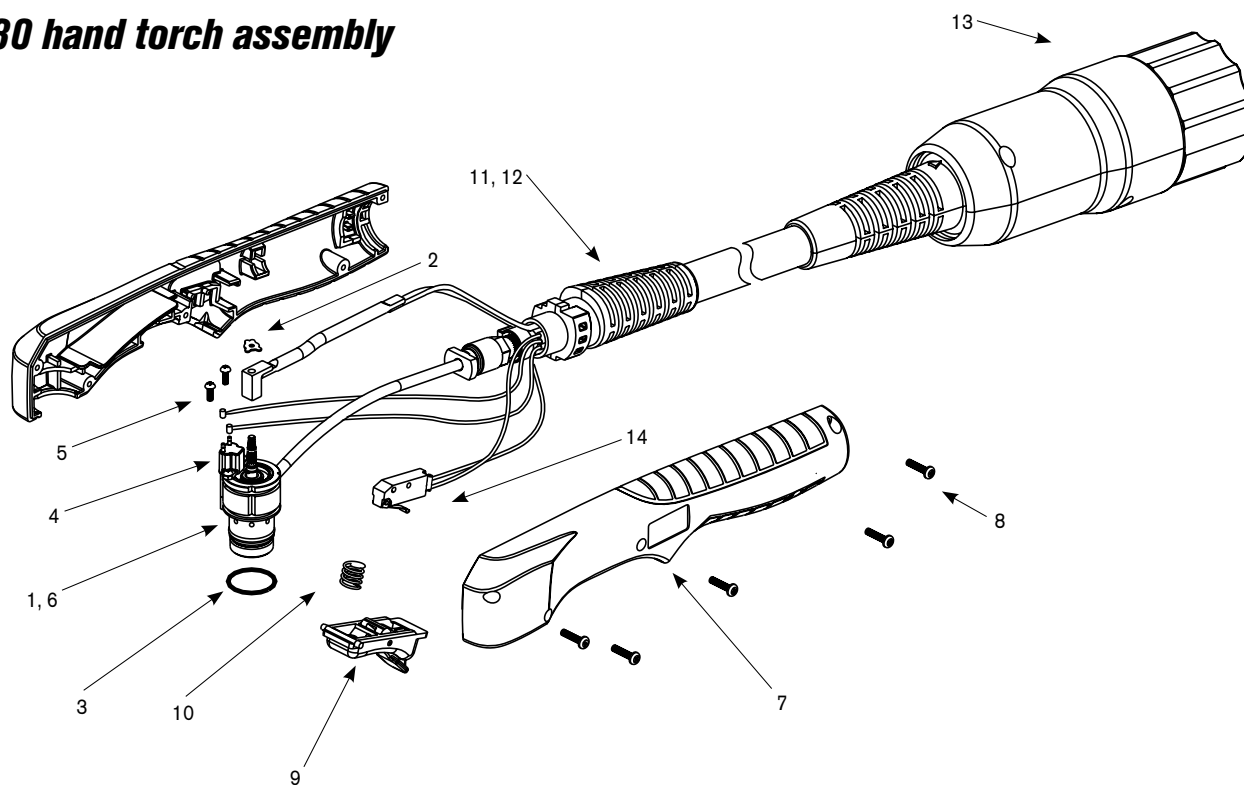
**In countries following CE standards, unshielded consumables may only be used in mechanized torch applications.

***CE shield for use in countries requiring CE, CCC, GOST marks.

*Consumables available in a bulk package option, see page 27 for bulk package information.

RT80 for Powermax 1100

RT80 hand torch assembly



Assembly

| Part number | Description |
|-------------|---|
| 087033* | RT80 hand torch assembly with 7.6 m (25') leads |
| 087034* | RT80 hand torch assembly with 15.2 m (50') leads |
| 1. 128564 | Kit: torch main body replacement (does not include cap sensor) |
| 2. 027889 | Retaining clip |
| 3. 058519 | O-ring |
| 4. 128639 | Kit: cap-off sensor replacement |
| 5. 075571 | Cap-off sensor screws |
| 6. 128521 | Kit: torch head repair (does not include head, includes screws) |
| 7. 128644 | Kit: handle |
| 8. 075586 | Handle screws |
| 9. 002244 | Safety trigger |
| 10. 027254 | Trigger spring |
| 11. 128829 | Torch lead replacement, 7.6 m (25') |
| 12. 128830 | Torch lead replacement, 15.2 m (50') |
| 13. 128826 | Kit: quick disconnect repair |
| 14. 128642 | Kit: start switch replacement |

*Assembly includes consumables.

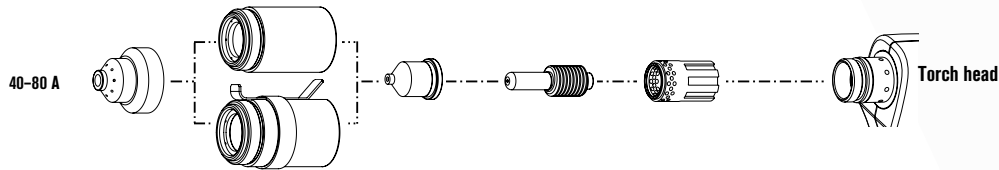
Hypertherm®

RT80M retrofit torch

For Powermax1100

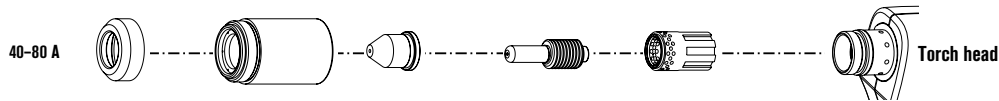
RT80M machine torch consumables

Shielded consumables



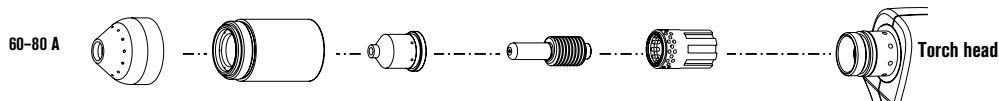
| | Shield | Retaining cap | Nozzle | Electrode | Swirl ring |
|-------|--------|---------------|---------|-----------|------------|
| 40 A | 120930 | 120928 | 120932* | 120926* | 120925 |
| 60 A | 120930 | 120928 | 120931* | 120926* | 120925 |
| 80 A | 120930 | 120928 | 120927* | 120926* | 120925 |
| Ohmic | | 220061 | | | |

Unshielded consumables



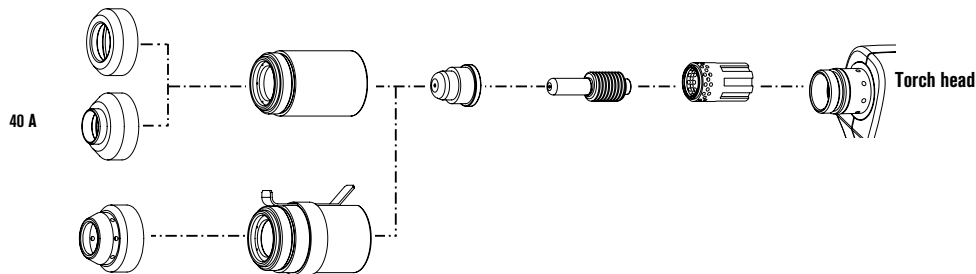
| | Deflector | Retaining cap | Nozzle | Electrode | Swirl ring |
|------|-----------|---------------|--------|-----------|------------|
| 40 A | 120979 | 120928 | 220006 | 120926* | 120925 |
| 60 A | 120979 | 120928 | 220007 | 120926* | 120925 |
| 80 A | 120979 | 120928 | 120980 | 120926* | 120925 |

Gouging consumables



| | Shield | Retaining cap | Nozzle | Electrode | Swirl ring |
|---------|--------|---------------|--------|-----------|------------|
| 60-80 A | 120977 | 120928 | 220059 | 120926* | 120925 |

FineCut consumables



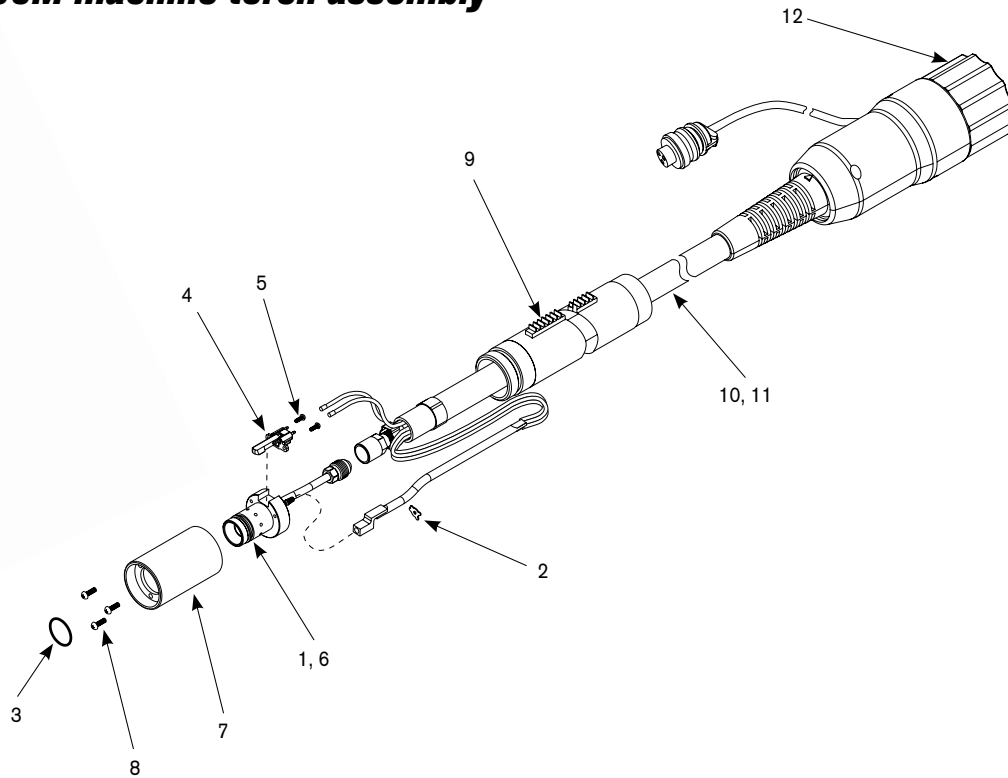
| | Shield / Deflector | Retaining cap | Nozzle | Electrode | Swirl ring |
|---------|--------------------|---------------|--------|-----------|------------|
| 40 A | 120979 | 120928 | 220329 | 120926* | 120925 |
| 40 A CE | 220325 | 120928 | 220329 | 120926* | 120925 |
| Ohmic | 220404 | 220061 | | | |

*Consumables available in a bulk package option, see page 27 for bulk package information.



RT80M for Powermax1100

RT80M machine torch assembly



Assembly

| Part number | Description |
|-------------|---|
| 087035* | RT80M machine torch assembly with 7.6 m (25') leads |
| 087036* | RT80M machine torch assembly with 15.2 m (50') leads |
| 1. 128640 | Kit: torch main body replacement (does not include cap sensor) |
| 2. 027889 | Retaining clip |
| 3. 058519 | O-ring |
| 4. 128639 | Kit: cap-off sensor replacement |
| 5. 075571 | Cap-off sensor screws |
| 6. 128521 | Kit: torch head repair (does not include head, includes screws) |
| 7. 128643 | Kit: torch mounting sleeve replacement |
| 8. 075618 | Torch mounting screws |
| 9. 128710 | Torch positioning sleeve |
| 10. 128827 | Torch lead replacement, 7.6 m (25') |
| 11. 128828 | Torch lead replacement, 15.2 m (50') |
| 12. 128926 | Kit: quick disconnect repair |
| 128645 | Torch mounting kit (for reassembly after installation) |

*Assembly includes consumables.

Appendix

Hypertherm is dedicated to providing the latest in technological advancements that deliver on the performance demands critical to customers. To encourage the adoption of the latest in Hypertherm technology offerings, a torch obsolescence program was launched in 2012. The program involves torches for Powermax65/85 original torches and legacy Powermax600/800/900/1000/1250/1650 and MAX42/43 systems. The benefits in supporting this obsolescence plan include:

- **Consolidation of torch SKUs** –the torch obsolescence plan reduces the number of torch SKUs available for purchase from 85 to 27.
- **Consolidation of consumable SKUs** – once you convert your customers to Duramax torches, Powermax65/85/105 consumables may be ordered instead of standard “T style” consumables.
- **Save money** – upgrade/retrofit torches are priced comparably to standard torches. In some cases, the upgrade torches are priced significantly less than the current standard torch offering.
- **Satisfy customer needs** – the newest torches and consumables are designed to enhance both cut quality and consumable life and improve overall productivity to ensure the utmost in consumer satisfaction.

The following charts identify replacement torches by system. Please note that as of **January 1, 2013** all remaining PAC123T, PAC125T and PAC135T 7.6 m (25') handheld torch assembly replacements have been discontinued. In addition, all lead replacement kits and torch bodies have been discontinued for T60, T60M, T80 and T80M torches. While Hypertherm is discontinuing many torch assemblies, **all consumables for all systems will remain available.**

MAX42 and MAX43 systems Duramax retrofit torches

| Original part number | Description | Duramax part number | Replacement description |
|----------------------|------------------------------------|---------------------|--|
| 071069 | PAC121P/43 hand torch assembly 25' | 228916 | Duramax RT hand torch assembly 25' |
| 071070 | PAC121P/43 hand torch assembly 50' | 228917 | Duramax RT hand torch assembly 50' |
| 083215 | RT60 hand torch assembly 25' | 228916 | Duramax RT hand torch assembly 25' |
| 083216 | RT60 hand torch assembly 50' | 228917 | Duramax RT hand torch assembly 50' |
| 083217 | RT60M machine torch assembly 25' | 228920 | Duramax RT mechanized torch assembly 25' |
| 083218 | RT60M machine torch assembly 50' | 228921 | Duramax RT mechanized torch assembly 50' |

Powermax600 Duramax retrofit torches

| Original part number | Description | Duramax part number | Replacement description |
|----------------------|--|---------------------|---|
| 086001 | PAC123T hand torch assembly 15' | 228918 | Duramax RT hand torch assembly 25' (no QDisc) |
| 086002 | PAC123T hand torch assembly 25' | 228918 | Duramax RT hand torch assembly 25' (no QDisc) |
| 086003 | PAC123T hand torch assembly 50' | 228919 | Duramax RT hand torch assembly 50' (no QDisc) |
| 086004 | PAC123M machine torch assembly 15' | 228922 | Duramax RT mechanized torch assembly 25' (no QDisc) |
| 086005 | PAC123M machine torch assembly 25' | 228922 | Duramax RT mechanized torch assembly 25' (no QDisc) |
| 086006 | PAC123M machine torch assembly 50' | 228923 | Duramax RT mechanized torch assembly 50' (no QDisc) |
| 086023 | PAC123T hand torch assembly 15' QDisc | 228916 | Duramax RT hand torch assembly 25' |
| 086024 | PAC123T hand torch assembly 25' QDisc | 228916 | Duramax RT hand torch assembly 25' |
| 086025 | PAC123T hand torch assembly 50' QDisc | 228917 | Duramax RT hand torch assembly 50' |
| 086026 | PAC123M machine torch assembly 15' QDisc | 228920 | Duramax RT mechanized torch assembly 25' |
| 086027 | PAC123M machine torch assembly 25' QDisc | 228920 | Duramax RT mechanized torch assembly 25' |
| 086029 | PAC123M machine torch assembly 50' QDisc | 228921 | Duramax RT mechanized torch assembly 50' |
| 083215 | RT60 hand torch assembly 25' | 228916 | Duramax RT hand torch assembly 25' |
| 083216 | RT60 hand torch assembly 50' | 228917 | Duramax RT hand torch assembly 50' |
| 083217 | RT60M machine torch assembly 25' | 228920 | Duramax RT mechanized torch assembly 25' |
| 083218 | RT60M machine torch assembly 50' | 228921 | Duramax RT mechanized torch assembly 50' |

Powermax800 and Powermax900 Duramax retrofit torches

| Original part number | Description | Duramax part number | Replacement description |
|----------------------|---|---------------------|--|
| 083066 | PAC125T hand torch assembly 25' | 228916 | Duramax RT hand torch assembly 25' |
| 083067 | PAC125T hand torch assembly 50' | 228917 | Duramax RT hand torch assembly 50' |
| 083068 | PAC125M machine torch assembly 25' | 228920 | Duramax RT mechanized torch assembly 25' |
| 083069 | PAC125M machine torch assembly 15' | 228920 | Duramax RT mechanized torch assembly 25' |
| 083070 | PAC125M machine torch assembly 35' QDisc | 228921 | Duramax RT mechanized torch assembly 50' |
| 083071 | PAC125M machine torch assembly 50' QDisc | 228921 | Duramax RT mechanized torch assembly 50' |
| 083072 | PAC125M machine torch assembly no-PGT 25' | 228920 | Duramax RT mechanized torch assembly 25' |
| 083073 | PAC125M machine torch assembly no-PGT 15' | 228920 | Duramax RT mechanized torch assembly 25' |
| 083074 | PAC125M machine torch assembly no-PGT 35' | 228921 | Duramax RT mechanized torch assembly 50' |
| 083075 | PAC125M machine torch assembly no-PGT 50' | 228921 | Duramax RT mechanized torch assembly 50' |
| 083127 | PAC125T-40A hand torch assembly 15' | 228916 | Duramax RT hand torch assembly 25' |
| 083128 | PAC125T-40A hand torch assembly 25' | 228916 | Duramax RT hand torch assembly 25' |
| 083129 | PAC125T-40A hand torch assembly 50' | 228917 | Duramax RT hand torch assembly 50' |
| 083130 | PAC125T-50A hand torch assembly 25' | 228916 | Duramax RT hand torch assembly 25' |
| 083131 | PAC125T-50A hand torch assembly 50' | 228917 | Duramax RT hand torch assembly 50' |
| 083133 | PAC125M-40A machine torch assembly 25' | 228920 | Duramax RT mechanized torch assembly 25' |
| 083135 | PAC125M-40A machine torch assembly 50' | 228921 | Duramax RT mechanized torch assembly 50' |
| 083136 | PAC125M-50A machine torch assembly 14' | 228920 | Duramax RT mechanized torch assembly 25' |
| 083137 | PAC125M-50A machine torch assembly 25' | 228920 | Duramax RT mechanized torch assembly 25' |
| 083138 | PAC125M-50A machine torch assembly 35' | 228921 | Duramax RT mechanized torch assembly 50' |
| 083139 | PAC125M-50A machine torch assembly 50' | 228921 | Duramax RT mechanized torch assembly 50' |
| 083140 | PAC125M-50A machine torch no-PGTL 14' | 228920 | Duramax RT mechanized torch assembly 25' |
| 083141 | PAC125M-50A machine torch no-PGTL 25' | 228920 | Duramax RT mechanized torch assembly 25' |
| 083142 | PAC125M-50A machine torch no-PGTL 35' | 228921 | Duramax RT mechanized torch assembly 50' |
| 083143 | PAC125M-50A machine torch no-PGTL 50' | 228921 | Duramax RT mechanized torch assembly 50' |
| 083145 | PAC125M machine torch 35 mm SLV 25' QDisc | N/A | |
| 083148 | PAC125M machine torch 35 mm SLV 50' QDisc | N/A | |
| 083215 | RT60 hand torch assembly 25' | 228916 | Duramax RT hand torch assembly 25' |
| 083216 | RT60 hand torch assembly 50' | 228917 | Duramax RT hand torch assembly 50' |
| 083217 | RT60M machine torch assembly 25' | 228920 | Duramax RT mechanized torch assembly 25' |
| 083218 | RT60M machine torch assembly 50' | 228921 | Duramax RT mechanized torch assembly 50' |

Powermax1000 T100 replacement torches

| Original part number | Description | T100 part number | T100 replacement description |
|----------------------|---|------------------|--|
| 083171 | T60 hand torch assembly 50' | 059499 | T100 hand torch assembly 50' w/o consumables |
| 083172 | T60 hand torch assembly 25' | 059498 | T100 hand torch assembly 25' w/o consumables |
| 083174 | T60M machine torch 60A 25' | 059501 | T100M-2 machine torch assembly 25' w/o consumables |
| 083175 | T60M machine torch 60A 15' | 059501 | T100M-2 machine torch assembly 25' w/o consumables |
| 083176 | T60M machine torch 60A 35' | 059502 | T100M-2 machine torch assembly 35' w/o consumables |
| 083177 | T60M machine torch 60A 50' | 059503 | T100M-2 machine torch assembly 50' w/o consumables |
| 083200 | T60M machine torch 60A 35 mm 50' | 059507 | T100M-2 machine torch assembly 35 mm 50' w/o consumables |
| 083201 | T60M machine torch 60A 35 mm 35' | 059506 | T100M-2 machine torch assembly 35 mm 35' w/o consumables |
| 083202 | T60M machine torch 60A 35 mm 15' | 059505 | T100M-2 machine torch assembly 35 mm 25' w/o consumables |
| 083203 | T60M machine torch 60A 35 mm 25' | 059505 | T100M-2 machine torch assembly 35 mm 25' w/o consumables |
| 083208 | T60 hand torch assembly 75' | 059500 | T100 hand torch assembly 75' w/o consumables |
| 083209 | T60M machine torch 60A 75' | 059504 | T100M-2 machine torch assembly 75' w/o consumables |
| 083214 | T60M machine torch 60A 35 mm 75' | 059508 | T100M-2 machine torch assembly 35 mm 75' w/o consumables |
| 083226 | T60M-2 machine torch 60A 75' | 059504 | T100M-2 machine torch assembly 75' w/o consumables |
| 083232 | T60M machine torch ohmic 25' | Not available | |
| 083233 | T60M machine torch ohmic 50' | Not available | |
| 083244 | T60M-2 machine torch assembly 35 mm 75' | 059508 | T100M-2 machine torch assembly 35 mm 75' w/o consumables |

Powermax1000 Duramax retrofit torches

| Original part number | Description | Duramax part number | Replacement description |
|----------------------|-----------------------------|---------------------|----------------------------|
| 083171 | T60 hand torch assembly 50' | 228789 | Duramax HRT handheld 50' |
| 083172 | T60 hand torch assembly 25' | 228788 | Duramax HRT handheld 25' |
| 083174 | T60M machine torch 60A 25' | 228790 | Duramax MRT mechanized 25' |
| 083175 | T60M machine torch 60A 15' | 228790 | Duramax MRT mechanized 25' |
| 083176 | T60M machine torch 60A 35' | 228791 | Duramax MRT mechanized 50' |
| 083177 | T60M machine torch 60A 50' | 228791 | Duramax MRT mechanized 50' |

Powermax1100 RT80 torch replacements

| Original part number | Description | RT80 part number | RT80 replacement description |
|----------------------|--|------------------|------------------------------|
| 085001 | PAC135T hand torch assembly 25' QDisc | 087033 | RT80 hand torch 25' |
| 085061 | PAC135T hand torch assembly 50' QDisc | 087034 | RT80 hand torch 50' |
| 085062 | PAC135M machine torch assembly 14' QDisc | 087035 | RT80 mechanized torch 25' |
| 085063 | PAC135M machine torch assembly 25' QDisc | 087035 | RT80 mechanized torch 25' |
| 085064 | PAC135M machine torch assembly 35' QDisc | 087036 | RT80 mechanized torch 50' |
| 085065 | PAC135M machine torch assembly 50' QDisc | 087036 | RT80 mechanized torch 50' |

Powermax1250 Duramax retrofit torches

| Original part number | Description | Duramax part number | Replacement description |
|----------------------|---|---------------------|----------------------------|
| 087001 | T80 hand torch assembly 25' | 228788 | Duramax HRT handheld 25' |
| 087002 | T80 hand torch assembly 50' | 228789 | Duramax HRT handheld 50' |
| 087003 | T80M machine torch 80A 15' | 228790 | Duramax MRT mechanized 25' |
| 087004 | T80M machine torch 80A 25' | 228790 | Duramax MRT mechanized 25' |
| 087005 | T80M machine torch 80A 35' | 228791 | Duramax MRT mechanized 50' |
| 087006 | T80M machine torch 80A 50' | 228791 | Duramax MRT mechanized 50' |
| 087029 | T80M machine torch 80A 35 mm 15' | Not available | |
| 087030 | T80M machine torch 80A 35 mm 25' | Not available | |
| 087031 | T80M machine torch 80A 35 mm 50' | Not available | |
| 087032 | T80M machine torch 80A 35 mm 35' | Not available | |
| 087047 | T80 hand torch assembly 75' | Not available | |
| 087048 | T80M machine torch 80A 75' | Not available | |
| 087064 | T80M-2 machine torch 80A 75' | Not available | |
| 087065 | T80M machine torch ohmic 25' | Not available | |
| 087066 | T80M machine torch ohmic 50' | Not available | |
| 087082 | T80M-2 machine torch assembly 35 mm 75' | Not available | |

Powermax1250 T100 replacement torches

| Original part number | Description | T100 part number | T100 replacement description |
|----------------------|---|------------------|--|
| 087001 | T80 hand torch assembly 25' | 059498 | T100 hand torch assembly 25' w/o consumables |
| 087002 | T80 hand torch assembly 50' | 059499 | T100 hand torch assembly 50' w/o consumables |
| 087003 | T80M machine torch 80A 15' | 059501 | T100M-2 machine torch assembly 25' w/o consumables |
| 087004 | T80M machine torch 80A 25' | 059501 | T100M-2 machine torch assembly 25' w/o consumables |
| 087005 | T80M machine torch 80A 35' | 059502 | T100M-2 machine torch assembly 35' w/o consumables |
| 087006 | T80M machine torch 80A 50' | 059503 | T100M-2 machine torch assembly 50' w/o consumables |
| 087029 | T80M machine torch 80A 35 mm 15' | 059505 | T100M-2 machine torch assembly 35 mm 25' w/o consumables |
| 087030 | T80M machine torch 80A 35 mm 25' | 059505 | T100M-2 machine torch assembly 35 mm 25' w/o consumables |
| 087031 | T80M machine torch 80A 35 mm 50' | 059507 | T100M-2 machine torch assembly 35 mm 50' w/o consumables |
| 087032 | T80M machine torch 80A 35 mm 35' | 059506 | T100M-2 machine torch assembly 35 mm 35' w/o consumables |
| 087047 | T80 hand torch assembly 75' | 059500 | T100 hand torch assembly 75' w/o consumables |
| 087048 | T80M machine torch 80A 75' | 059504 | T100M-2 machine torch assembly 75' w/o consumables |
| 087064 | T80M-2 machine torch 80A 75' | 059504 | T100M-2 machine torch assembly 75' w/o consumables |
| 087065 | T80M machine torch ohmic 25' | Not available | |
| 087066 | T80M machine torch ohmic 50' | Not available | |
| 087082 | T80M-2 machine torch assembly 35 mm 75' | 059508 | T100M-2 machine torch assembly 35 mm 75' w/o consumables |

Powermax1650 Duramax replacement torches

| Original part number | Description | Duramax part number | Replacement description |
|----------------------|--|---------------------|----------------------------|
| 059264 | T100 hand torch assembly 25' | 228788 | Duramax HRT handheld 25' |
| 059270 | T100 hand torch assembly 50' | 228789 | Duramax HRT handheld 50' |
| 059299 | T100 hand torch assembly 75' | Not available | |
| 059315 | T100M-2 machine torch assembly 25' | 228790 | Duramax MRT mechanized 25' |
| 059324 | T100M-2 machine torch assembly 35' | 228791 | Duramax MRT mechanized 50' |
| 059325 | T100M-2 machine torch assembly 50' | 228791 | Duramax MRT mechanized 50' |
| 059326 | T100M-2 machine torch assembly 75' | Not available | |
| 059333 | T100M-2 machine torch assembly 35 mm 25' | Not available | |
| 059334 | T100M-2 machine torch assembly 35 mm 35' | Not available | |
| 059335 | T100M-2 machine torch assembly 35 mm 50' | Not available | |
| 059336 | T100M-2 machine torch assembly 35 mm 75' | Not available | |

Powermax1650 T100 replacement torches

| Original part number | Description | T100 part number | T100 replacement description |
|----------------------|--|------------------|--|
| 059264 | T100 hand torch assembly 25' | 059498 | T100 hand torch assembly 25' w/o consumables |
| 059270 | T100 hand torch assembly 50' | 059499 | T100 hand torch assembly 50' w/o consumables |
| 059299 | T100 hand torch assembly 75' | 059500 | T100 hand torch assembly 75' w/o consumables |
| 059315 | T100M-2 machine torch assembly 25' | 059501 | T100M-2 machine torch assembly 25' w/o consumables |
| 059324 | T100M-2 machine torch assembly 35' | 059502 | T100M-2 machine torch assembly 35' w/o consumables |
| 059325 | T100M-2 machine torch assembly 50' | 059503 | T100M-2 machine torch assembly 50' w/o consumables |
| 059326 | T100M-2 machine torch assembly 75' | 059504 | T100M-2 machine torch assembly 75' w/o consumables |
| 059333 | T100M-2 machine torch assembly 35 mm 25' | 059505 | T100M-2 machine torch assembly 35 mm 25' w/o consumables |
| 059334 | T100M-2 machine torch assembly 35 mm 35' | 059506 | T100M-2 machine torch assembly 35 mm 35' w/o consumables |
| 059335 | T100M-2 machine torch assembly 35 mm 50' | 059507 | T100M-2 machine torch assembly 35 mm 50' w/o consumables |
| 059336 | T100M-2 machine torch assembly 35 mm 75' | 059508 | T100M-2 machine torch assembly 35 mm 75' w/o consumables |

Powermax65 Duramax replacement torches

| Original part number | Description | Duramax part number | Replacement description |
|----------------------|--|---------------------|--|
| 083247 | Powermax65 75° hand torch assembly 25' | 059473 | Powermax65/85/105 75° hand torch assembly 25' |
| 083248 | Powermax65 75° hand torch assembly 50' | 059474 | Powermax65/85/105 75° hand torch assembly 50' |
| 083249 | Powermax65 75° hand torch assembly 75' | 059475 | Powermax65/85/105 75° hand torch assembly 75' |
| 083251 | Powermax65 15° hand torch assembly 25' | 059470 | Powermax65/85/105 15° hand torch assembly 25' |
| 083252 | Powermax65 15° hand torch assembly 50' | 059471 | Powermax65/85/105 15° hand torch assembly 50' |
| 083253 | Powermax65 15° hand torch assembly 75' | 059472 | Powermax65/85/105 15° hand torch assembly 75' |
| 083254 | Powermax65 180° machine torch assembly 15' | 059476 | Powermax65/85/105 180° machine torch assembly 15' |
| 083255 | Powermax65 180° machine torch assembly 25' | 059477 | Powermax65/85/105 180° machine torch assembly 25' |
| 083256 | Powermax65 180° machine torch assembly 35' | 059478 | Powermax65/85/105 180° machine torch assembly 35' |
| 083257 | Powermax65 180° machine torch assembly 50' | 059479 | Powermax65/85/105 180° machine torch assembly 50' |
| 083258 | Powermax65 180 ° machine torch assembly 75' | 059480 | Powermax65/85/105 180° machine torch assembly 75' |
| 083259 | Powermax65 180 ° mini machine torch assembly 15' | 059481 | Powermax65/85/105 180° mini machine torch assembly 15' |
| 083260 | Powermax65 180° mini machine torch assembly 25' | 059482 | Powermax65/85/105 180° mini machine torch assembly 25' |
| 083261 | Powermax65 180° mini machine torch assembly 35' | 059483 | Powermax65/85/105 180° mini machine torch assembly 35' |
| 083262 | Powermax65 180° mini machine torch assembly 50' | 059484 | Powermax65/85/105 180° mini machine torch assembly 50' |
| 083263 | Powermax65 180° mini machine torch assembly 75' | Not available | |

Powermax85 Duramax Replacement Torches

| Original part number | Description | Duramax part number | Replacement description |
|----------------------|---|---------------------|--|
| 087085 | Powermax85 75° hand torch assembly 25' | 059473 | Powermax65/85/105 75° hand torch assembly 25' |
| 087086 | Powermax85 75° hand torch assembly 50' | 059474 | Powermax65/85/105 75° hand torch assembly 50' |
| 087087 | Powermax85 75° hand torch assembly 75' | 059475 | Powermax65/85/105 75° hand torch assembly 75' |
| 087089 | Powermax85 15° hand torch assembly 25' | 059470 | Powermax65/85/105 15° hand torch assembly 25' |
| 087090 | Powermax85 15° hand torch assembly 50' | 059471 | Powermax65/85/105 15° hand torch assembly 50' |
| 087091 | Powermax85 15° hand torch assembly 75' | 059472 | Powermax65/85/105 15° hand torch assembly 75' |
| 087092 | Powermax85 180° machine torch assembly 15' | 059476 | Powermax65/85/105 180° machine torch assembly 15' |
| 087093 | Powermax85 180° machine torch assembly 25' | 059477 | Powermax65/85/105 180° machine torch assembly 25' |
| 087094 | Powermax85 180° machine torch assembly 35' | 059478 | Powermax65/85/105 180° machine torch assembly 35' |
| 087095 | Powermax85 180° machine torch assembly 50' | 059479 | Powermax65/85/105 180° machine torch assembly 50' |
| 087096 | Powermax85 180° machine torch assembly 75' | 059480 | Powermax65/85/105 180° machine torch assembly 75' |
| 087097 | Powermax85 180° mini machine torch assembly 15' | 059481 | Powermax65/85/105 180° mini machine torch assembly 15' |
| 087098 | Powermax85 180° mini machine torch assembly 25' | 059482 | Powermax65/85/105 180° mini machine torch assembly 25' |
| 087099 | Powermax85 180° mini machine torch assembly 35' | 059483 | Powermax65/85/105 180° mini machine torch assembly 35' |
| 087100 | Powermax85 180° mini machine torch assembly 50' | 059484 | Powermax65/85/105 180° mini machine torch assembly 50' |
| 087101 | Powermax85 180° mini machine torch assembly 75' | Not available | |

Powermax65 and Powermax85 torch and lead replacement kits

| Original part number | Description | Duramax part number | Replacement description |
|----------------------|--|---------------------|---|
| 228717 | Kit:H65/H85/HRT torch handle replacement | 228954 | Kit:Duramax HT/HRT torch handle replacement |
| 228718 | Kit:H65s/H85s torch handle replacement | 228955 | Kit:Duramax HTS/HRTS torch handle replacement |
| 228723 | Kit:H65/H85 torch lead replacement, 25' | Not available | |
| 228724 | Kit:H65/H85 torch lead replacement, 50' | Not available | |
| 228725 | Kit:H65/H85 torch lead replacement, 75' | Not available | |
| 228727 | Kit:H65s/H85s torch lead replacement, 25' | 228959 | Kit:Duramax hand torch lead replacement 25' |
| 228728 | Kit:H65s/H85s torch lead replacement, 50' | 228960 | Kit:Duramax hand torch lead replacement 50' |
| 228729 | Kit:H65s/H85s torch lead replacement, 75' | 228961 | Kit:Duramax hand torch lead replacement 75' |
| 228784 | Kit: Duramax HRT/HRTs lead replacement 25' | 228952 | Kit: Duramax HRT/HRTS 1/2" coupler lead replacement 25' |
| 228785 | Kit: Duramax HRT/HRTs lead replacement 50' | 228953 | Kit: Duramax HRT/HRTS 1/2" coupler lead replacement 50' |

Hypertherm featured Duramax retrofit torches and CopperPlus electrode



Upgrade legacy systems to a Duramax retrofit torch and improve overall system performance. Duramax consumables provide longer consumable life and easy connectivity makes retrofitting the torch to older systems simple.

Duramax retrofit torches are available for the following systems:

- Powermax600**
- Powermax900**
- Powermax1250**
- MAX42/43**
- Powermax800**
- Powermax1000**
- Powermax1650**



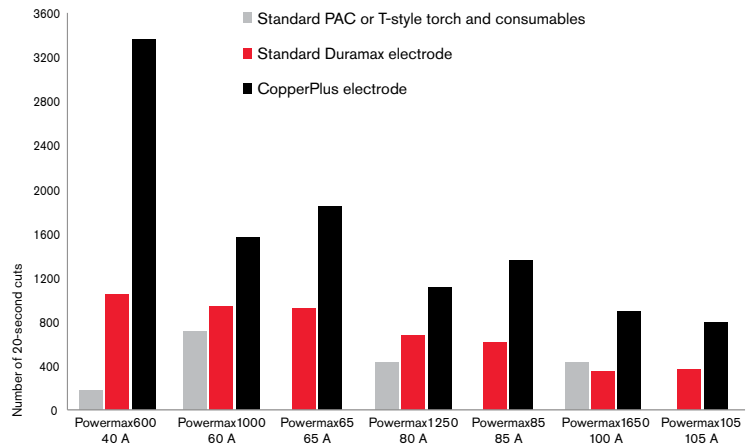
See catalog pages 85-91 for additional information or visit: hypetherm.com/upgrades for additional information.

CopperPlus electrode technology delivers at least **2 times longer consumable life** over standard consumables*. Designed exclusively for use with Duramax torches when cutting metal 12 mm (1/2 inch) and under, CopperPlus can reduce operating costs and cut more parts with less downtime.

* Standard consumables refer to the original Hypertherm consumables designed for the system.



CopperPlus part number 220777



Note: Lab testing shows that CopperPlus will deliver at least 2 times longer consumable life in most cases; consumable life may vary depending on the system, amperage and process.

Hypertherm®

Cut with confidence®



Environmental stewardship is a core value of Hypertherm. Our Powermax products are engineered to meet and exceed global environmental regulations including the RoHS directive.