

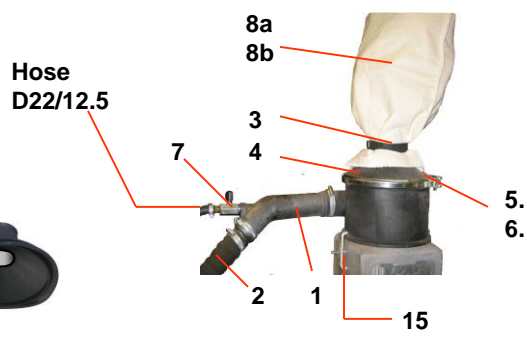
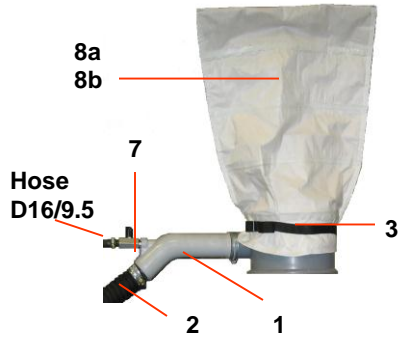


OPC Flux recovery Wear parts

Secure your welding quality and
productivity with ESAB original parts



OPC - powerful and reliable flux recovery without moving parts



OPC Basic

1 Ejector	0147 640 880
2 Spiral hose D47,0/38,1	0191 813 801
3 Tension band	0192 855 002
4 Cone	0148 143 001*
5 Tension ring	0148 144 001*
6 O-ring 189.3x5.7	0215 201 353
7 Ball valve	0145 824 881
8a Filter, paper	0155 966 001
8b Filter, cotton	0332 448 001*
9 Funnel	0148 142 001
10 Rubber lining	0145 565 001
11 O-ring 149.2x5.7	0215 201 345
12 Cyclone	0148 141 001
13 Rubber lining	0145 073 001
14 Tension spring	0145 815 001
16 Strainer	0020 301 780

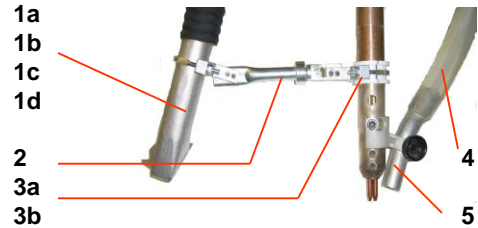
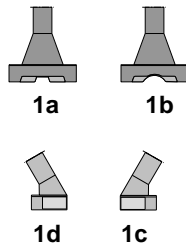
OPC Super

1 Ejector	0339 720 001
2 Spiral hose D47,0/38,1	0191 813 801
3 Tension band	0192 855 002
4 Cone	0332 279 001
5 Tension ring	0148 144 001
6 O-ring 189.3x5.7	0215 201 353
7 Ball valve	0333 625 001
8a Filter, paper	0155 966 001
8b Filter, cotton	0332 448 001*
9 Funnel	0332 280 001
10 Rubber lining	0332 282 001
11 O-ring 149.2x5.7	0215 201 345
12 Cyclone	0332 281 001
13 Rubber lining	0332 283 001
14 Tension spring	0145 815 002
15 Clamp	0340 612 001
16 Strainer	0020 301 780

* Optional item

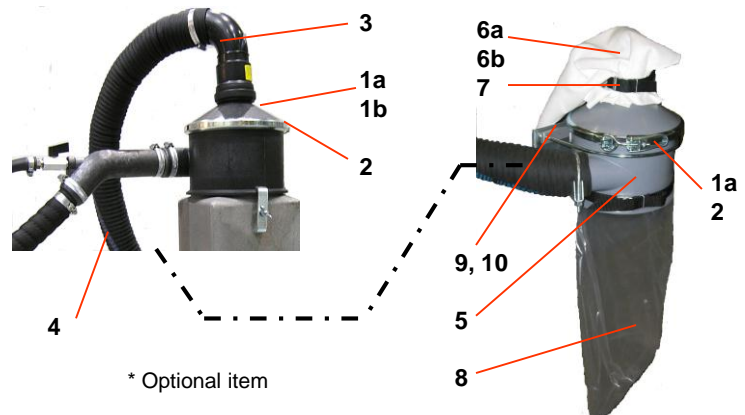
Suction nozzle

1a Butt weld 1	0145 501 001
1b Butt weld 2	0145 502 001
1c Fillet weld left	0145 504 001
1d Fillet weld right	0145 505 001
2 Nozzle bracket	0147 384 881
3a Insulator D20	0145 131 004
3b Insulator D35	0145 131 002
4 Flux hose D32.0/25.0	
free length / m	0443 383 001
length 0.5 m	0443 383 002
5 Pipe bent	0153 296 001



Cyclone filter

1a Cone Basic	0148 143 001
1b Cone Super	0332 279 001
2 Tension ring	0148 144 001
3 Bend	0413 576 001
4 Spiral hose D67,2/63	0193 125 003
5 Cyclone	0148 141 001
6a Filter, paper	0155 966 001
6b Filter, cotton	0332 448 001*
7 Tension band	0192 855 002
8 Plastic bag	0190 665 004
9 U-screw	0379 600 001
10 Bracket	0379 599 880



* Optional item

2010-01-08 / ESAB reserves the right to alter specifications without prior notice



www.esab.com

COMPANY WITH
MANAGEMENT SYSTEM
CERTIFIED BY DNV
= ISO 9001 =
= ISO 14001 =
= OHSAS 18001 =